



US0D1063152S

(12) **United States Design Patent**
Mi

(10) **Patent No.:** **US D1,063,152 S**

(45) **Date of Patent:** **** Feb. 18, 2025**

(54) **EXPLOSION-PROOF LAMP**
(71) Applicant: **Dong Guan Pan American Electronics CO., Ltd, Dongguan (CN)**

D889,718 S * 7/2020 Kim D26/63
D889,719 S * 7/2020 Kim D26/63
D893,788 S * 8/2020 Li D26/63

(Continued)

(72) Inventor: **Benxing Mi, Dongguan (CN)**
(73) Assignee: **Dong Guan Pan American Electronics CO., Ltd, Dongguan (CN)**

FOREIGN PATENT DOCUMENTS

CN 305293386 * 8/2019
CN 307214361 * 3/2022
CN 307247196 * 4/2022

(**) Term: **15 Years**

OTHER PUBLICATIONS

(21) Appl. No.: **29/874,769**

“NW 70W” published on Amazon.com, date first available Mar. 17, 2022 [online], site visited May 29, 2024, available from internet URL: <https://www.amazon.com/Square-Explosion-Proof-Waterproof-Factory-Station/dp/B09VX7XFCK/> (Year: 2022).*

(22) Filed: **Apr. 25, 2023**

(51) **LOC (15) Cl.** **26-05**

(52) **U.S. Cl.** **D26/63**
USPC

(58) **Field of Classification Search**
USPC D26/24, 60, 61, 63, 65, 72, 85
CPC F21S 8/00; F21S 8/003; F21S 8/03; F21S 8/033; F21S 8/04; F21V 21/14; F21V 21/26; F21V 21/30

See application file for complete search history.

(Continued)

Primary Examiner — Angela J Lee
Assistant Examiner — Liv C Anderson

(56) **References Cited**

(57) **CLAIM**

The ornamental design for an explosion-proof lamp as shown and described.

U.S. PATENT DOCUMENTS

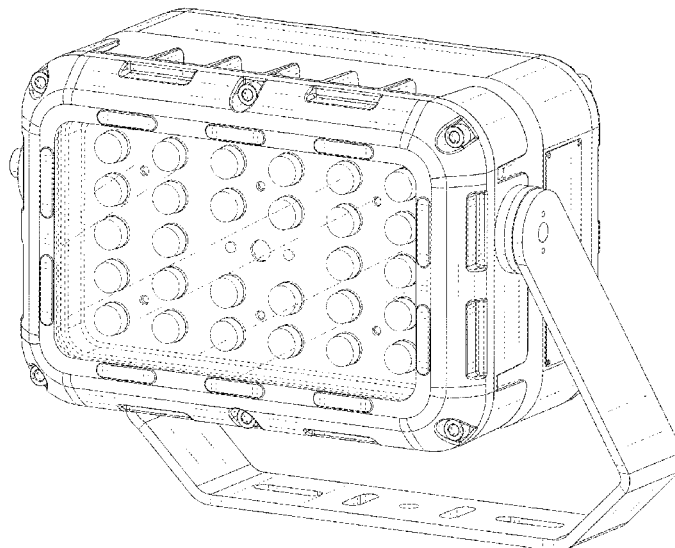
DESCRIPTION

- D650,109 S * 12/2011 Maxik D26/63
- D695,435 S * 12/2013 Pedersen D26/63
- D699,279 S * 2/2014 Zhan D16/239
- D699,877 S * 2/2014 Song D26/63
- D711,030 S * 8/2014 Zhan D26/65
- D712,581 S * 9/2014 Scarlata D26/65
- D734,886 S * 7/2015 Lazalier D26/63
- D767,806 S * 9/2016 Colacilli D26/63
- D776,320 S * 1/2017 Bobel D26/63
- D781,480 S * 3/2017 Zhan D26/63
- D782,718 S * 3/2017 Ko D26/63
- 10,253,966 B1 * 4/2019 Hanington F21V 21/30
- D855,856 S * 8/2019 Du D26/63
- D858,840 S * 9/2019 Deng D26/63
- D858,846 S * 9/2019 Flügel D26/63
- D877,951 S * 3/2020 Huang D26/63

FIG. 1 is a front, top, right perspective view of an explosion-proof lamp showing my new design;
FIG. 2 is a back, bottom, left perspective view thereof;
FIG. 3 is a front view thereof;
FIG. 4 is a back view thereof;
FIG. 5 is a left view thereof;
FIG. 6 is a right view thereof;
FIG. 7 is a top view thereof; and,
FIG. 8 is a bottom view thereof.

The broken lines shown on the drawings depict portions of the explosion-proof lamp that form no part of the claimed design.

1 Claim, 8 Drawing Sheets



(56)

References Cited

U.S. PATENT DOCUMENTS

D903,917	S	*	12/2020	Pietschmann	D26/63
D911,570	S	*	2/2021	Zheng	D26/63
D923,227	S	*	6/2021	Ko	D26/63
D988,567	S	*	6/2023	Song	D26/63
2015/0345736	A1	*	12/2015	Colacilli	F21V 29/83 362/6

OTHER PUBLICATIONS

“OSTEK” published on Amazon.com, date first available Jun. 23, 2020 [online], site visited May 29, 2024, available from internet URL: <https://www.amazon.com/Explosion-Proof-Waterproof-Industrial-Factory-100-277V/dp/B08J3S6319/> (Year: 2020).*

“LED” published on Amazon.com, date first available Dec. 21, 2023 [online], site visited May 29, 2024, available from internet URL: <https://www.amazon.com/Xapolu-Explosion-Hazardous-Luminaires-Waterproof/dp/B0CQPVLL3F/> (Year: 2023).*

* cited by examiner

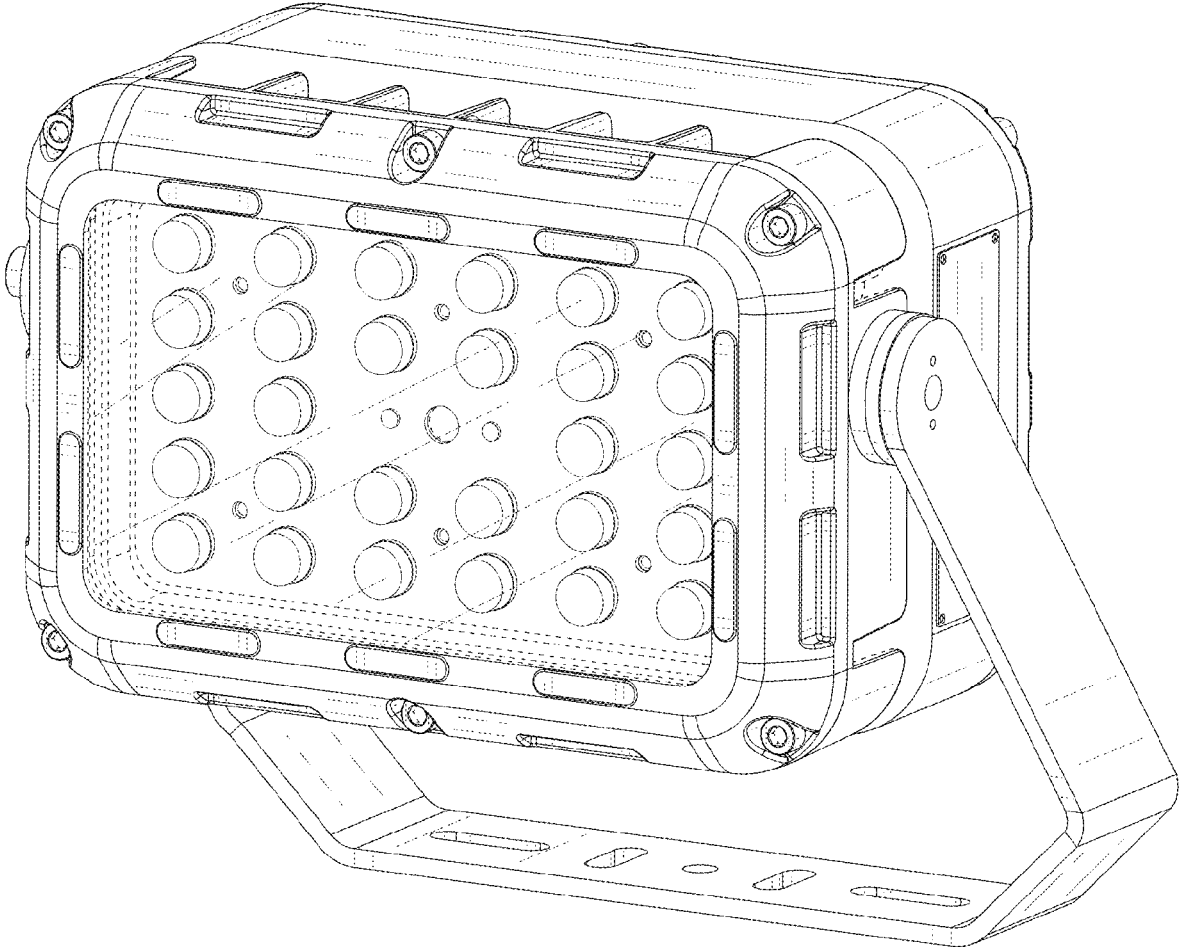


FIG. 1

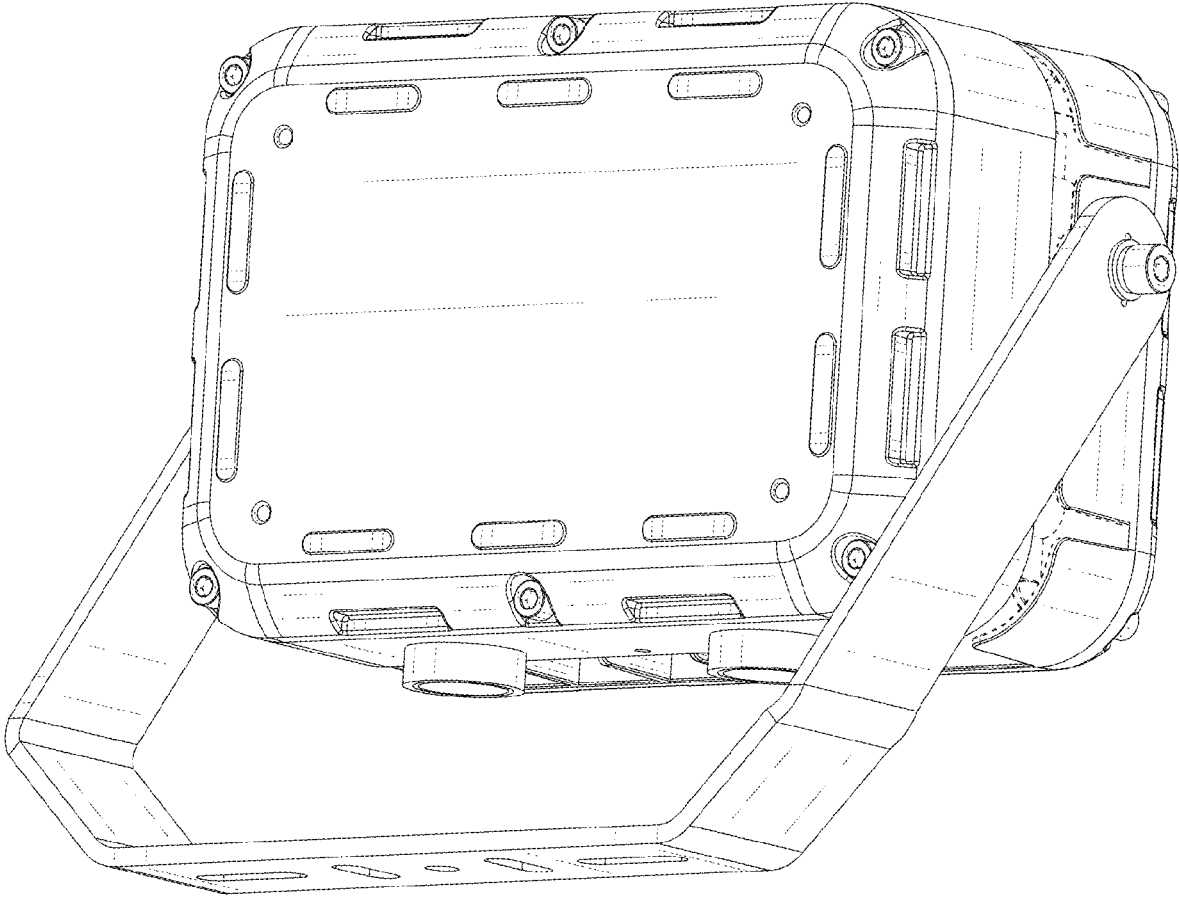


FIG. 2

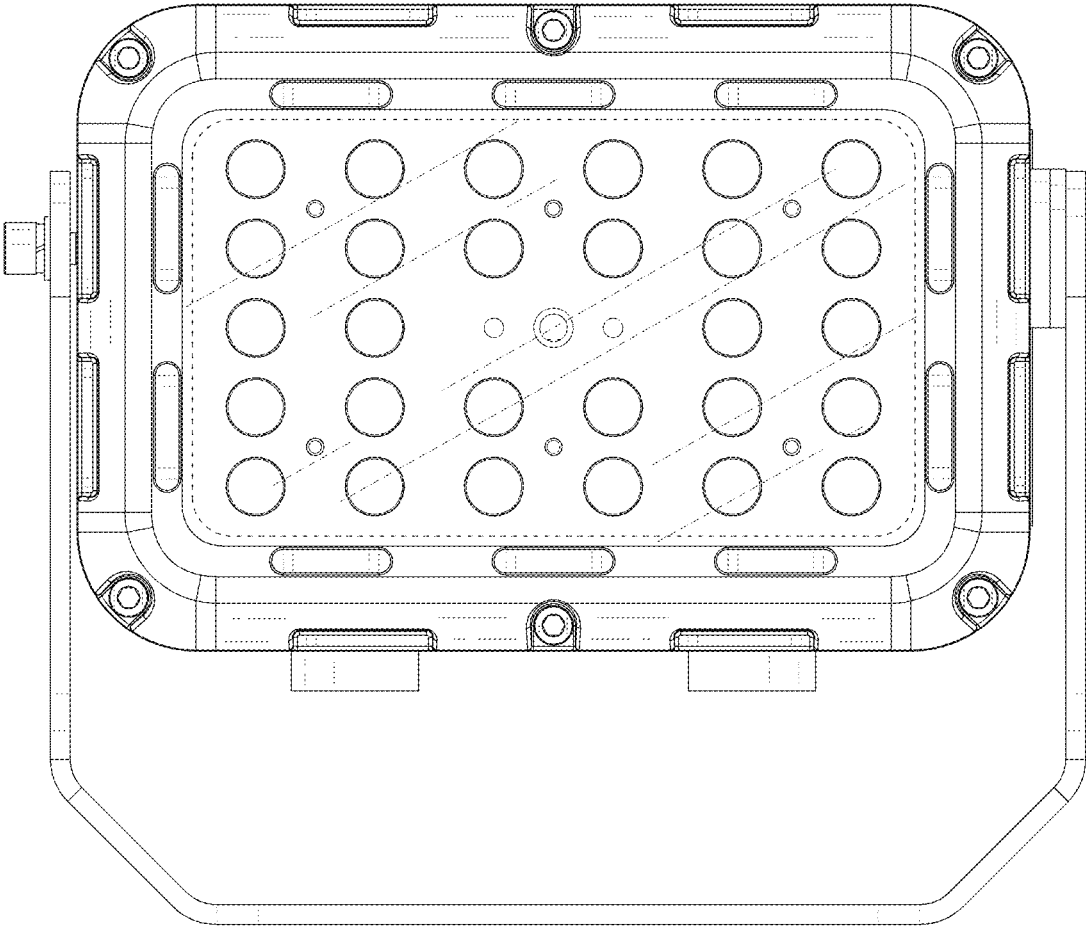


FIG. 3

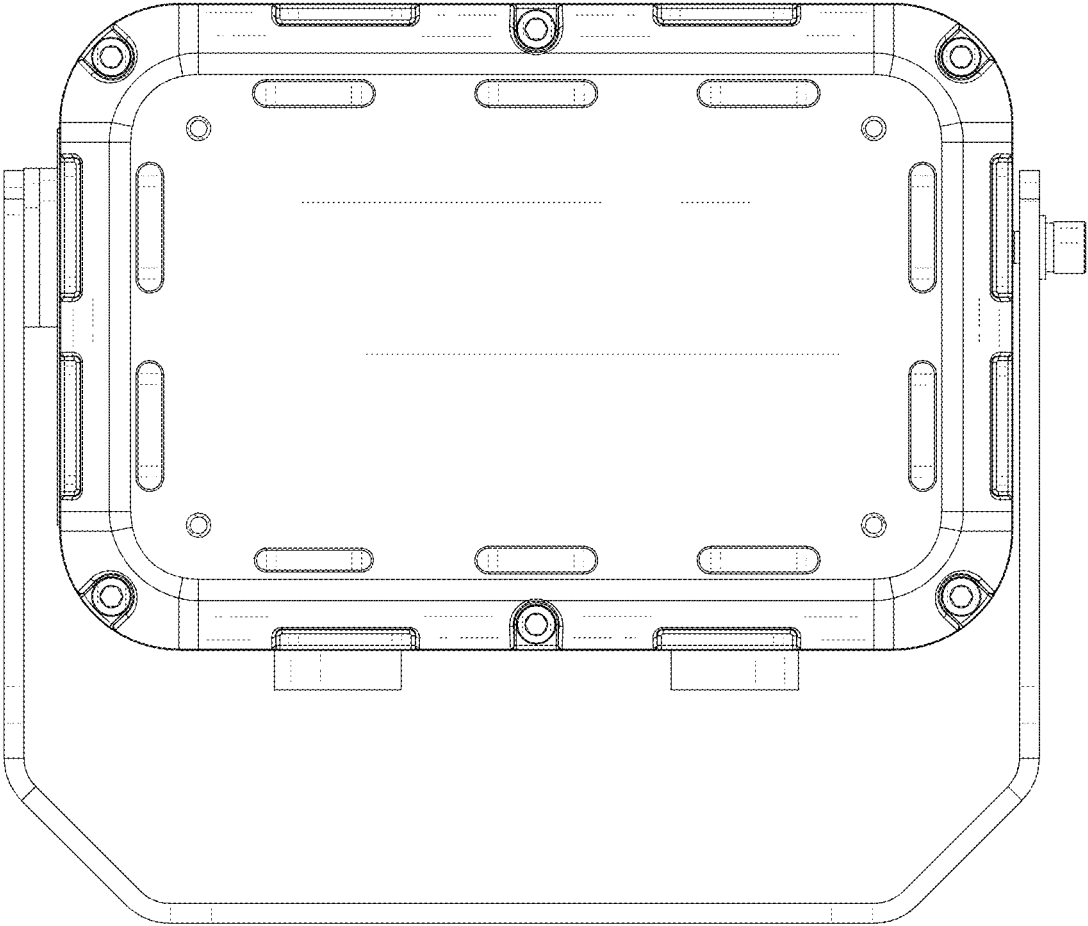


FIG. 4

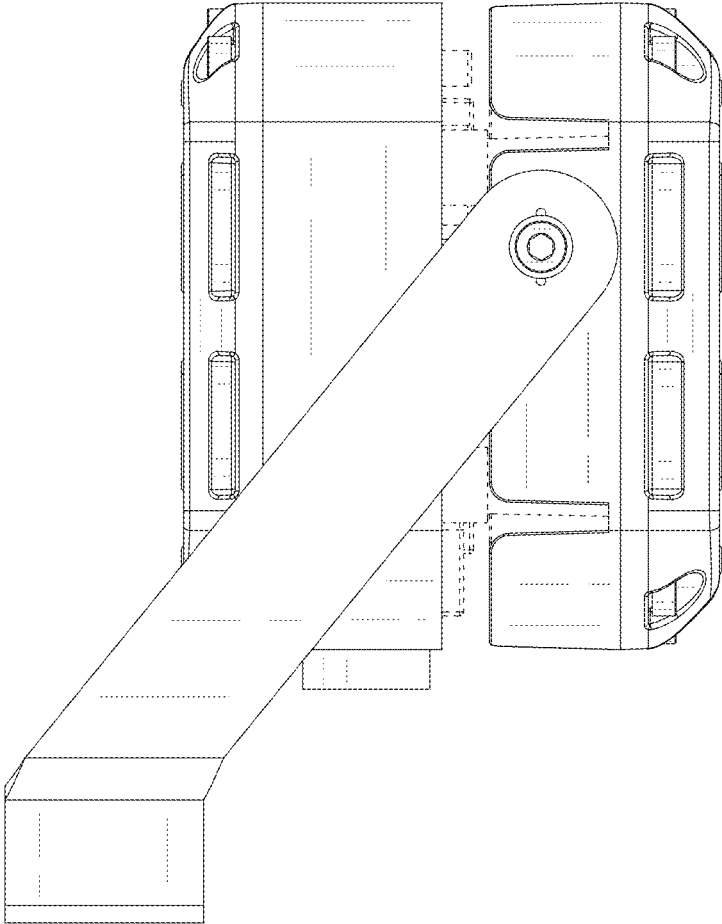


FIG. 5

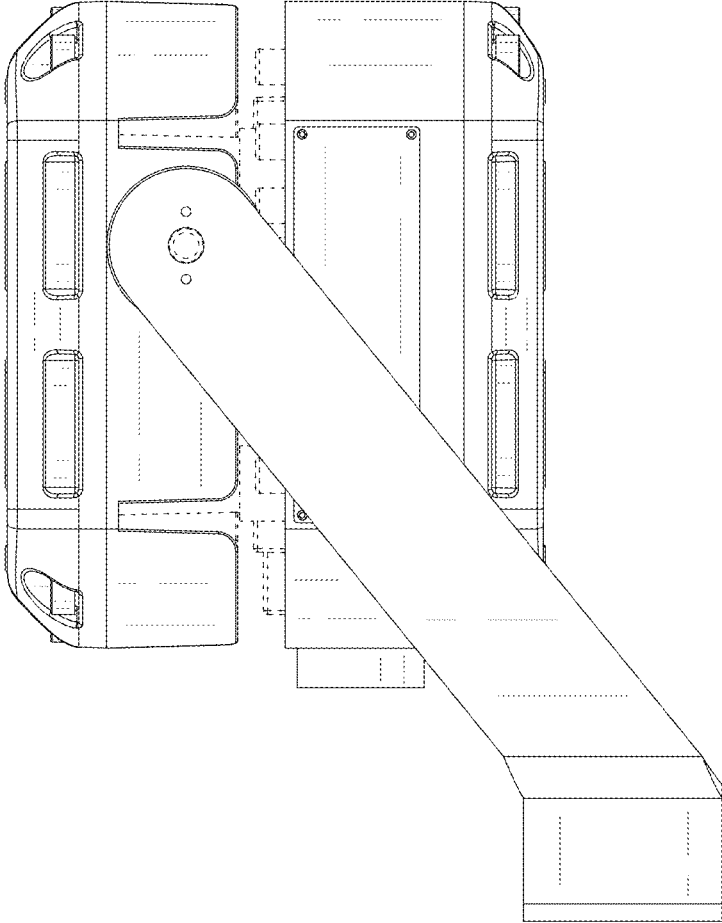


FIG. 6

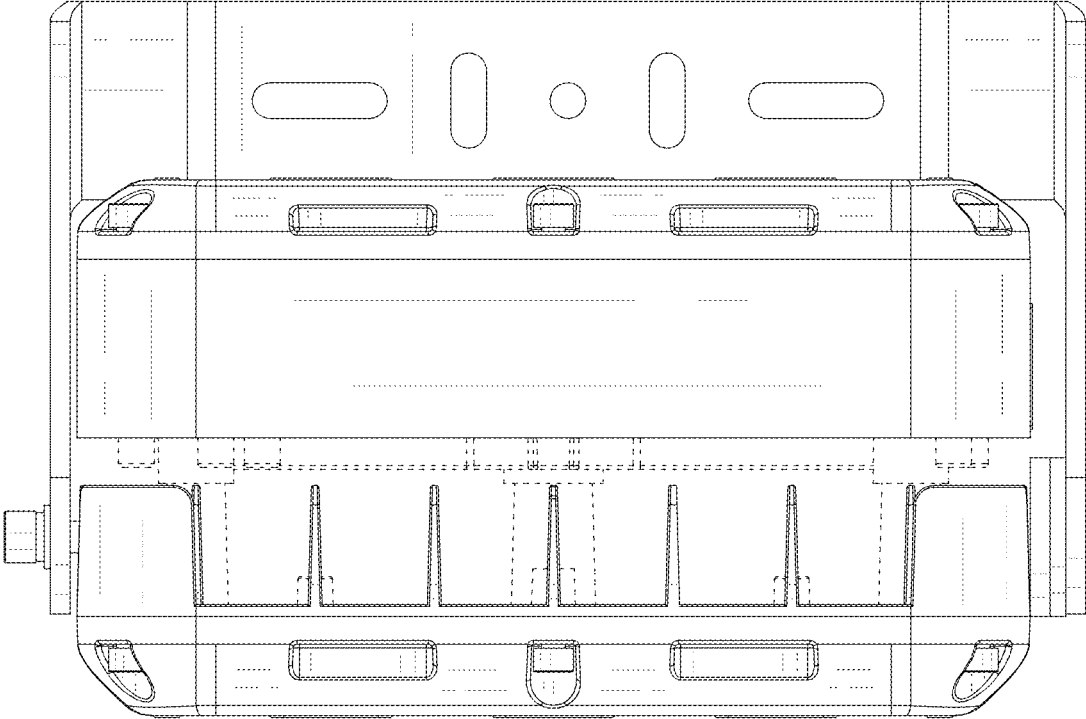


FIG. 7

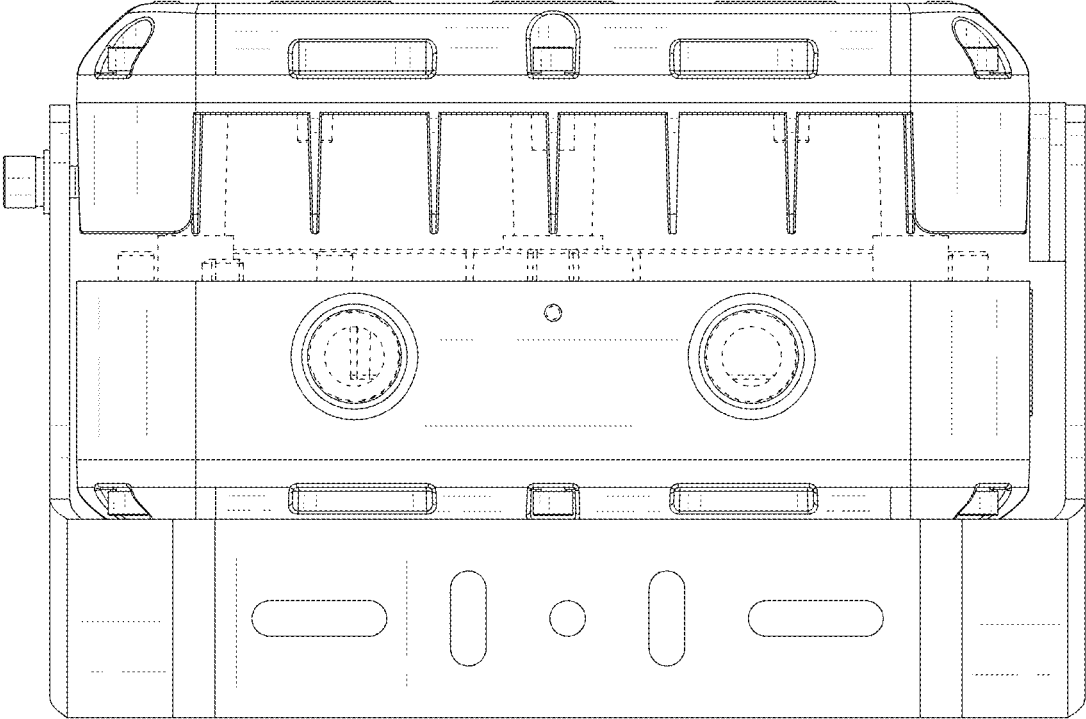


FIG. 8