



(51) International Patent Classification:

B65G 17/26 (2006.01) **B65B 23/14** (2006.01)
B65G 47/84 (2006.01) **B65B 35/44** (2006.01)

(21) International Application Number:

PCT/IB2010/000417

(22) International Filing Date:

1 March 2010 (01.03.2010)

(25) Filing Language:

Italian

(26) Publication Language:

English

(30) Priority Data:

MI2009A000327 5 March 2009 (05.03.2009) IT

(71) Applicant (for all designated States except US): **EUROSICMA S.P.A.** [IT/IT]; Via Arbe 27, I-20125 Milano (IT).

(72) Inventor; and

(75) Inventor/Applicant (for US only): **REDAELLI, Marco** [IT/IT]; Via Gramsci 16, I-20060 Cassina de' Pecchi (IT).

(74) Agent: **FARAGGIANA, Vittorio**; Barzano' & Zanardo Milano S.p.A., Via Borgonuovo 10, 20121 Milano (IT).

(81) Designated States (unless otherwise indicated, for every

kind of national protection available): AE, AG, AL, AM, AO, AT, AU, AZ, BA, BB, BG, BH, BR, BW, BY, BZ, CA, CH, CL, CN, CO, CR, CU, CZ, DE, DK, DM, DO, DZ, EC, EE, EG, ES, FI, GB, GD, GE, GH, GM, GT, HN, HR, HU, ID, IL, IN, IS, JP, KE, KG, KM, KN, KP, KR, KZ, LA, LC, LK, LR, LS, LT, LU, LY, MA, MD, ME, MG, MK, MN, MW, MX, MY, MZ, NA, NG, NI, NO, NZ, OM, PE, PG, PH, PL, PT, RO, RS, RU, SC, SD, SE, SG, SK, SL, SM, ST, SV, SY, TH, TJ, TM, TN, TR, TT, TZ, UA, UG, US, UZ, VC, VN, ZA, ZM, ZW.

(84) Designated States (unless otherwise indicated, for every

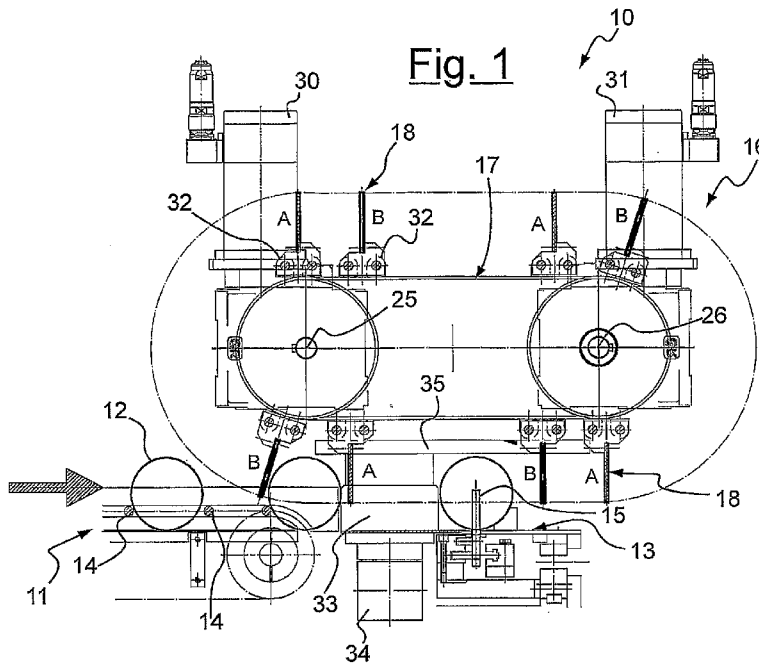
kind of regional protection available): ARIPO (BW, GH, GM, KE, LS, MW, MZ, NA, SD, SL, SZ, TZ, UG, ZM, ZW), Eurasian (AM, AZ, BY, KG, KZ, MD, RU, TJ, TM), European (AT, BE, BG, CH, CY, CZ, DE, DK, EE, ES, FI, FR, GB, GR, HR, HU, IE, IS, IT, LT, LU, LV, MC, MK, MT, NL, NO, PL, PT, RO, SE, SI, SK, SM, TR), OAPI (BF, BJ, CF, CG, CI, CM, GA, GN, GQ, GW, ML, MR, NE, SN, TD, TG).

Published:

— with international search report (Art. 21(3))

[Continued on next page]

(54) Title: PLANT FOR FEEDING GROUPS OF PRODUCTS TO A PACKAGING MACHINE



(57) Abstract: A plant for feeding groups of food products in sequence to a packaging machine comprises a first input conveyor (11, 211) and a second output conveyor (13, 213) between which a device (16, 216) for the synchronized transfer of groups of products is provided. The device (16, 216) comprises two belt moving devices (17, 217) parallel and independently motorized for moving synchronously along a looped path. Each moving device carries paddle elements (18, 218) at intervals, which alternately form a rear thruster or a front counter-thruster of transfer of the groups of products along a transfer path towards the output conveyor (13, 213).

WO 2010/100545 A3



— *before the expiration of the time limit for amending the claims and to be republished in the event of receipt of amendments (Rule 48.2(h))*

(88) Date of publication of the international search report:
4 November 2010

INTERNATIONAL SEARCH REPORT

International application No
PCT/IB2010/000417

A. CLASSIFICATION OF SUBJECT MATTER

INV. B65G17/26 B65G47/84 B65B23/14 B65B35/44
ADD.

According to International Patent Classification (IPC) or to both national classification and IPC

B. FIELDS SEARCHED

Minimum documentation searched (classification system followed by classification symbols)
B65G B65B

Documentation searched other than minimum documentation to the extent that such documents are included in the fields searched

Electronic data base consulted during the international search (name of data base and, where practical, search terms used)

EPO-Internal

C. DOCUMENTS CONSIDERED TO BE RELEVANT

Category*	Citation of document, with indication, where appropriate, of the relevant passages	Relevant to claim No.
Y	WO 02/26601 A (IWK VERPACKUNGSTECHNIK GMBH [DE]; HAEHNEL BERND [DE]; CHRIST RICHARD []) 4 April 2002 (2002-04-04) pages 1-13; figures 1-5	1,3,4,8,9
Y	WO 88/05417 A (SAPAL PLIEUSES AUTOMATIQUES [CH]) 28 July 1988 (1988-07-28) pages 1-12; figures 1-10	1,3,4,8,9
A	EP 0 161 142 A1 (TABACS & ALLUMETTES IND [FR]) 13 November 1985 (1985-11-13) pages 1-8; figures 1-5	1
A	DE 103 61 572 A1 (BOSCH GMBH ROBERT [DE]) 21 July 2005 (2005-07-21) columns 1-6; figures 1,2	4
	-/--	

Further documents are listed in the continuation of Box C.

See patent family annex.

* Special categories of cited documents :

- "A" document defining the general state of the art which is not considered to be of particular relevance
- "E" earlier document but published on or after the international filing date
- "L" document which may throw doubts on priority claim(s) or which is cited to establish the publication date of another citation or other special reason (as specified)
- "O" document referring to an oral disclosure, use, exhibition or other means
- "P" document published prior to the international filing date but later than the priority date claimed

- "T" later document published after the international filing date or priority date and not in conflict with the application but cited to understand the principle or theory underlying the invention
- "X" document of particular relevance; the claimed invention cannot be considered novel or cannot be considered to involve an inventive step when the document is taken alone
- "Y" document of particular relevance; the claimed invention cannot be considered to involve an inventive step when the document is combined with one or more other such documents, such combination being obvious to a person skilled in the art.
- "&" document member of the same patent family

Date of the actual completion of the international search

10 September 2010

Date of mailing of the international search report

22/09/2010

Name and mailing address of the ISA/

European Patent Office, P.B. 5818 Patentlaan 2
NL - 2280 HV Rijswijk
Tel. (+31-70) 340-2040,
Fax: (+31-70) 340-3016

Authorized officer

Martin, Benoit

INTERNATIONAL SEARCH REPORT

International application No
PCT/IB2010/000417

C(Continuation). DOCUMENTS CONSIDERED TO BE RELEVANT

Category*	Citation of document, with indication, where appropriate, of the relevant passages	Relevant to claim No.
A	JP 2007 230751 A (SHIBUYA KOGYO CO LTD) 13 September 2007 (2007-09-13) figures 1-11 * Abstract *	8
A	----- WO 2008/022930 A (SIDEL PARTICIPATIONS [FR]; DUCHEMIN GUILLAUME [FR]; POUPON CHRISTOPHE) 28 February 2008 (2008-02-28) pages 1-50; figures 1-13 -----	9

INTERNATIONAL SEARCH REPORT

Information on patent family members

International application No PCT/IB2010/000417

Patent document cited in search report	Publication date	Patent family member(s)	Publication date
WO 0226601	A	04-04-2002	AU 9383301 A 08-04-2002
			CA 2423185 A1 21-03-2003
			DE 10048007 A1 11-04-2002
			EP 1320501 A1 25-06-2003
			US 2003159903 A1 28-08-2003
WO 8805417	A	28-07-1988	EP 0299016 A1 18-01-1989
			FR 2609973 A1 29-07-1988
			US 4934509 A 19-06-1990
EP 0161142	A1	13-11-1985	DE 3566215 D1 22-12-1988
			FR 2561876 A1 04-10-1985
			JP 1851985 C 21-06-1994
			JP 5067536 B 27-09-1993
			JP 60244278 A 04-12-1985
			US 4708237 A 24-11-1987
DE 10361572	A1	21-07-2005	CN 1636843 A 13-07-2005
JP 2007230751	A	13-09-2007	NONE
WO 2008022930	A	28-02-2008	CN 101506067 A 12-08-2009
			EP 2054329 A1 06-05-2009
			FR 2905117 A1 29-02-2008
			JP 2010501437 T 21-01-2010
			US 2010163368 A1 01-07-2010