



(51) International Patent Classification:

F25B 39/04 (2006.01) F25D 11/00 (2006.01)  
F25D 23/00 (2006.01) F25D 21/14 (2006.01)  
F28D 1/047 (2006.01)

(21) International Application Number:

PCT/US2011/060535

(22) International Filing Date:

14 November 2011 (14.11.2011)

(25) Filing Language:

English

(26) Publication Language:

English

(30) Priority Data:

61/416,815 24 November 2010 (24.11.2010) US

(71) Applicant (for all designated States except US): **CARRIER CORPORATION** [US/US]; One Carrier Place, Farmington, Connecticut 06034 (US).

(72) Inventors; and

(75) Inventors/Applicants (for US only): **TARAS, Michael F.** [US/US]; 5424 Springview Drive, Fayetteville, New York 13066 (US). **PERKOVICH, Mark J.** [US/US]; 5003 Saddlebrook Drive, Fayetteville, New York 13066 (US).

(74) Agent: **HABELT, William W.**; CANTOR COLBURN LLP, 20 Church Street, 22nd Floor, Hartford, Connecticut 06103 (US).

(81) Designated States (unless otherwise indicated, for every kind of national protection available): AE, AG, AL, AM, AO, AT, AU, AZ, BA, BB, BG, BH, BR, BW, BY, BZ,

CA, CH, CL, CN, CO, CR, CU, CZ, DE, DK, DM, DO, DZ, EC, EE, EG, ES, FI, GB, GD, GE, GH, GM, GT, HN, HR, HU, ID, IL, IN, IS, JP, KE, KG, KM, KN, KP, KR, KZ, LA, LC, LK, LR, LS, LT, LU, LY, MA, MD, ME, MG, MK, MN, MW, MX, MY, MZ, NA, NG, NI, NO, NZ, OM, PE, PG, PH, PL, PT, QA, RO, RS, RU, RW, SC, SD, SE, SG, SK, SL, SM, ST, SV, SY, TH, TJ, TM, TN, TR, TT, TZ, UA, UG, US, UZ, VC, VN, ZA, ZM, ZW.

(84) Designated States (unless otherwise indicated, for every kind of regional protection available): ARIPO (BW, GH, GM, KE, LR, LS, MW, MZ, NA, RW, SD, SL, SZ, TZ, UG, ZM, ZW), Eurasian (AM, AZ, BY, KG, KZ, MD, RU, TJ, TM), European (AL, AT, BE, BG, CH, CY, CZ, DE, DK, EE, ES, FI, FR, GB, GR, HR, HU, IE, IS, IT, LT, LU, LV, MC, MK, MT, NL, NO, PL, PT, RO, RS, SE, SI, SK, SM, TR), OAPI (BF, BJ, CF, CG, CI, CM, GA, GN, GQ, GW, ML, MR, NE, SN, TD, TG).

Declarations under Rule 4.17:

— as to applicant's entitlement to apply for and be granted a patent (Rule 4.17(ii))

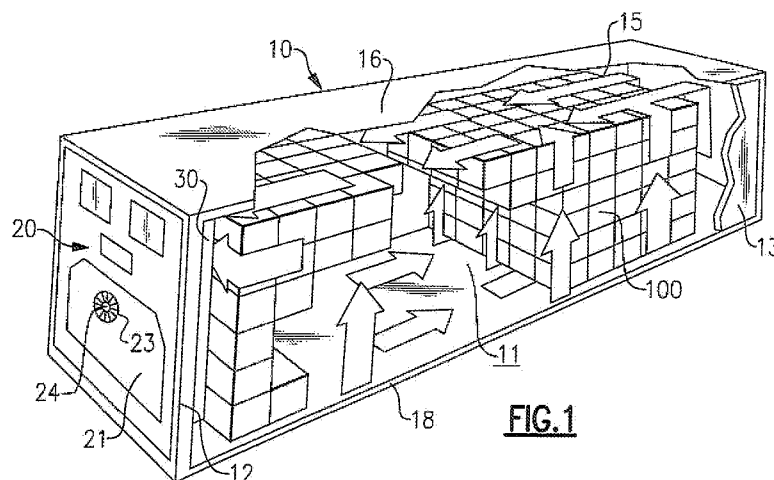
Published:

— with international search report (Art. 21(3))  
— before the expiration of the time limit for amending the claims and to be republished in the event of receipt of amendments (Rule 48.2(h))

(88) Date of publication of the international search report:

8 November 2012

(54) Title: REFRIGERATION UNIT WITH CORROSION DURABLE HEAT EXCHANGER



(57) Abstract: A transport refrigeration unit is provided which having a refrigerant heat rejection heat exchanger (condenser/gas cooler) that promotes adequate water drainage and corrosion durability. A wraparound finned tube coil has a plurality of heat exchange tube loops and a plurality of plate fins mounted to the plurality of heat exchange tube loops. Each heat exchange tube loop is formed by a plurality of linear tube segments or hairpin tube segments connected by return bends, with each linear tube segment or hairpin segment extending longitudinally at an inclination angle with respect to vertical of at least 20 degrees.



**INTERNATIONAL SEARCH REPORT**

International application No  
PCT/US2011/060535

A. CLASSIFICATION OF SUBJECT MATTER  
 INV. F25B39/04 F25D23/00 F28D1/047 F25D11/00 F25D21/14  
 ADD.  
 According to International Patent Classification (IPC) or to both national classification and IPC

B. FIELDS SEARCHED  
 Minimum documentation searched (classification system followed by classification symbols)  
 F25B F25D F28D F28F F24F

Documentation searched other than minimum documentation to the extent that such documents are included in the fields searched

Electronic data base consulted during the international search (name of data base and, where practicable, search terms used)  
 EPO-Internal

**C. DOCUMENTS CONSIDERED TO BE RELEVANT**

Category*	Citation of document, with indication, where appropriate, of the relevant passages	Relevant to claim No.
X	US 2 252 064 A (CORNELL JR EDWARD S) 12 August 1941 (1941-08-12)	16
Y	page 2, left-hand column, line 61 - right-hand column, line 54; figures 3, 6 -----	1-12
X	US 5 538 075 A (EUBANK MARK A [US] ET AL) 23 July 1996 (1996-07-23)	13-15
Y	column 3, line 60 - column 15, line 54; figures 2, 4-6, 16a-f, 21e -----	3,4
Y	US 2 694 553 A (HICKE GERALD E ET AL) 16 November 1954 (1954-11-16) column 1, line 13 - column 2, line 48; figure 1 -----	1-12
	-/--	

Further documents are listed in the continuation of Box C.

See patent family annex.

\* Special categories of cited documents :

<p>"A" document defining the general state of the art which is not considered to be of particular relevance</p> <p>"E" earlier application or patent but published on or after the international filing date</p> <p>"L" document which may throw doubts on priority claim(s) or which is cited to establish the publication date of another citation or other special reason (as specified)</p> <p>"O" document referring to an oral disclosure, use, exhibition or other means</p> <p>"P" document published prior to the international filing date but later than the priority date claimed</p>	<p>"T" later document published after the international filing date or priority date and not in conflict with the application but cited to understand the principle or theory underlying the invention</p> <p>"X" document of particular relevance; the claimed invention cannot be considered novel or cannot be considered to involve an inventive step when the document is taken alone</p> <p>"Y" document of particular relevance; the claimed invention cannot be considered to involve an inventive step when the document is combined with one or more other such documents, such combination being obvious to a person skilled in the art</p> <p>"&amp;" document member of the same patent family</p>
---	---

Date of the actual completion of the international search  24 August 2012	Date of mailing of the international search report  04/09/2012
---	--

Name and mailing address of the ISA/ European Patent Office, P.B. 5818 Patentlaan 2 NL - 2280 HV Rijswijk Tel. (+31-70) 340-2040, Fax: (+31-70) 340-3016	Authorized officer  Kolev, Ivelin
--	---

## INTERNATIONAL SEARCH REPORT

International application No  
PCT/US2011/060535

C(Continuation). DOCUMENTS CONSIDERED TO BE RELEVANT		
Category*	Citation of document, with indication, where appropriate, of the relevant passages	Relevant to claim No.
Y	WO 2009/077225 A1 (HEAT ALLIED HEAT EXCHANGE TECH [DE]; SUMMERER FRANZ [DE]) 25 June 2009 (2009-06-25) page 27, line 27 - page 28, line 16; figure 12	7
Y	----- EP 1 722 174 A2 (COSTAN SPA [IT]) 15 November 2006 (2006-11-15) paragraph [0023]	9
Y	----- WO 2006/099378 A1 (YORK INT CORP [US]; KOPKO WILLIAM L [US]) 21 September 2006 (2006-09-21) paragraphs [0003], [0047] -----	11

# INTERNATIONAL SEARCH REPORT

Information on patent family members

International application No

PCT/US2011/060535

Patent document cited in search report	Publication date	Patent family member(s)	Publication date
US 2252064	A	12-08-1941	NONE
-----			
US 5538075	A	23-07-1996	NONE
-----			
US 2694553	A	16-11-1954	NONE
-----			
WO 2009077225	A1	25-06-2009	AU 2008337808 A1 25-06-2009
			CA 2709578 A1 25-06-2009
			CN 101903732 A 01-12-2010
			EP 2225523 A1 08-09-2010
			ES 2369815 T3 07-12-2011
			JP 2011506902 A 03-03-2011
			RU 2010129958 A 27-01-2012
			US 2010282439 A1 11-11-2010
			WO 2009077225 A1 25-06-2009
-----			
EP 1722174	A2	15-11-2006	NONE
-----			
WO 2006099378	A1	21-09-2006	CA 2593405 A1 21-09-2006
			CN 101137872 A 05-03-2008
			EP 1859208 A1 28-11-2007
			JP 2008530498 A 07-08-2008
			KR 20070102621 A 18-10-2007
			US 2006201188 A1 14-09-2006
			WO 2006099378 A1 21-09-2006
-----			