

(19) World Intellectual Property Organization
International Bureau



(43) International Publication Date
29 March 2012 (29.03.2012)

PCT

(10) International Publication Number
WO 2012/040320 A3

- (51) **International Patent Classification:**
F03D 3/06 (2006.01) *F03D 11/00* (2006.01)
- (21) **International Application Number:**
PCT/US2011/052540
- (22) **International Filing Date:**
21 September 2011 (21.09.2011)
- (25) **Filing Language:** English
- (26) **Publication Language:** English
- (30) **Priority Data:**
61/384,949 21 September 2010 (21.09.2010) US
- (71) **Applicant (for all designated States except US):** E-NET, LLC [US/US]; c/o Miller Johnson, 250 Monroe Avenue NW, Suite 800, P.O. Box 306, Grand Rapids, Michigan 49501 (US).
- (72) **Inventor; and**
- (75) **Inventor/Applicant (for US only):** MAHAWILI, PH.D., Imad [US/US]; 4225 Solano Avenue, #735, Napa, California 94558 (US).
- (74) **Agents:** WARNER NORCROSS & JUDD LLP et al.; Catherine S. Collins, 900 Fifth Third Center, 111 Lyon Street, N.W., Grand Rapids, Michigan 49503-2487 (US).

- (81) **Designated States (unless otherwise indicated, for every kind of national protection available):** AE, AG, AL, AM, AO, AT, AU, AZ, BA, BB, BG, BH, BR, BW, BY, BZ, CA, CH, CL, CN, CO, CR, CU, CZ, DE, DK, DM, DO, DZ, EC, EE, EG, ES, FI, GB, GD, GE, GH, GM, GT, HN, HR, HU, ID, IL, IN, IS, JP, KE, KG, KM, KN, KP, KR, KZ, LA, LC, LK, LR, LS, LT, LU, LY, MA, MD, ME, MG, MK, MN, MW, MX, MY, MZ, NA, NG, NI, NO, NZ, OM, PE, PG, PH, PL, PT, QA, RO, RS, RU, RW, SC, SD, SE, SG, SK, SL, SM, ST, SV, SY, TH, TJ, TM, TN, TR, TT, TZ, UA, UG, US, UZ, VC, VN, ZA, ZM, ZW.
- (84) **Designated States (unless otherwise indicated, for every kind of regional protection available):** ARIPO (BW, GH, GM, KE, LR, LS, MW, MZ, NA, SD, SL, SZ, TZ, UG, ZM, ZW), Eurasian (AM, AZ, BY, KG, KZ, MD, RU, TJ, TM), European (AL, AT, BE, BG, CH, CY, CZ, DE, DK, EE, ES, FI, FR, GB, GR, HR, HU, IE, IS, IT, LT, LU, LV, MC, MK, MT, NL, NO, PL, PT, RO, RS, SE, SI, SK, SM, TR), OAPI (BF, BJ, CF, CG, CI, CM, GA, GN, GQ, GW, ML, MR, NE, SN, TD, TG).

Published:
— with international search report (Art. 21(3))

[Continued on next page]

(54) **Title:** WIND TURBINE WITH MULTI-STAGE BLADES

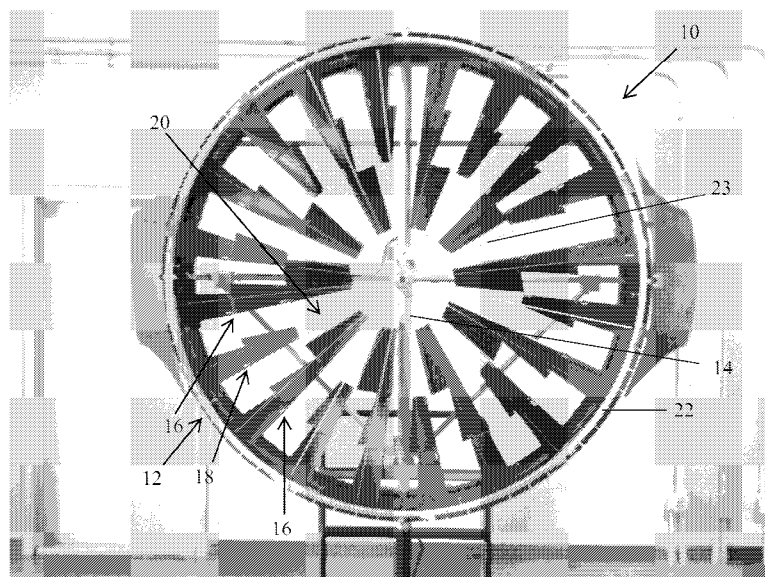


FIG. 1

(57) **Abstract:** A wind turbine includes a first set of wind turbine blades mounted for rotation about an axis of rotation, and a second set of wind turbine blades mounted for rotation about the axis of rotation with the first set of blades. Each blade of the first set of wind turbine blades includes a blade surface formed by at least two blade portions. Further, each blade of the second set of blades includes a blade surface area that is formed by at least one blade portion, which has a different blade surface area configuration than the surface area of the blades of the first set of blades.



WO 2012/040320 A3



— *before the expiration of the time limit for amending the claims and to be republished in the event of receipt of amendments (Rule 48.2(h))*

(88) Date of publication of the international search report:
10 May 2012

INTERNATIONAL SEARCH REPORT

International application No.
PCT/US2011/052540

A. CLASSIFICATION OF SUBJECT MATTER

F03D 3/06(2006.01)i, F03D 11/00(2006.01)i

According to International Patent Classification (IPC) or to both national classification and IPC

B. FIELDS SEARCHED

Minimum documentation searched (classification system followed by classification symbols)

F03D 3/06; B64C 11/06; F01D 5/14; F03D 1/02; F03D 9/00; F03D 1/00

Documentation searched other than minimum documentation to the extent that such documents are included in the fields searched

Korean utility models and applications for utility models
Japanese utility models and applications for utility models

Electronic data base consulted during the international search (name of data base and, where practicable, search terms used)

eKOMPASS(KIPO internal) & Keywords: first set of wind turbine blades, second set of wind turbine blades

C. DOCUMENTS CONSIDERED TO BE RELEVANT

Category*	Citation of document, with indication, where appropriate, of the relevant passages	Relevant to claim No.
A	US 2008-0226450 A1 (CLARKE JOE et al.) 18 September 2008 See abstract, claims 1-24, figures 1-5	1-15
A	WO 2007-057021 A1 (L.M. GLASFIBER S/A et al.) 24 May 2007 See abstract, claims 1-10, figures 1-11	1-15
A	US 2010-0215502 A1 (HARRISON HOWARD ROBERT) 26 August 2010 See abstract, figures 1-6	1-15
A	US 6899523 B2 (ALOYS WOB BEN) 31 May 2005 See abstract, claims 1-14, figures 1-6	1-15

Further documents are listed in the continuation of Box C.

See patent family annex.

* Special categories of cited documents:

"A" document defining the general state of the art which is not considered to be of particular relevance

"E" earlier application or patent but published on or after the international filing date

"L" document which may throw doubts on priority claim(s) or which is cited to establish the publication date of citation or other special reason (as specified)

"O" document referring to an oral disclosure, use, exhibition or other means

"P" document published prior to the international filing date but later than the priority date claimed

"T" later document published after the international filing date or priority date and not in conflict with the application but cited to understand the principle or theory underlying the invention

"X" document of particular relevance; the claimed invention cannot be considered novel or cannot be considered to involve an inventive step when the document is taken alone

"Y" document of particular relevance; the claimed invention cannot be considered to involve an inventive step when the document is combined with one or more other such documents, such combination being obvious to a person skilled in the art

"&" document member of the same patent family

Date of the actual completion of the international search

20 MARCH 2012 (20.03.2012)

Date of mailing of the international search report

23 MARCH 2012 (23.03.2012)

Name and mailing address of the ISA/KR



Korean Intellectual Property Office
Government Complex-Daejeon, 189 Cheongsu-ro,
Seo-gu, Daejeon 302-701, Republic of Korea

Facsimile No. 82-42-472-7140

Authorized officer

BAEK, On Ki

Telephone No. 82-42-481-5484



INTERNATIONAL SEARCH REPORT

Information on patent family members

International application No.

PCT/US2011/052540

Patent document cited in search report	Publication date	Patent family member(s)	Publication date
US 2008-0226450 A1	18.09.2008	EP 1917436 A1	07.05.2008
		GB 0516149 D0	14.09.2005
		KR 10-2008-0033476 A	16.04.2008
		KR20080033476A	16.04.2008
		N020081135A	18.04.2008
		N020081135B	18.04.2008
		US 8070444 B2	06.12.2011
		WO 2007-017629 A1	15.02.2007
		WO 2007-057021 A1	24.05.2007
DK200501626A	22.05.2007		
EP 1969229 A1	17.09.2008		
US 2010-0215502 A1	26.08.2010	AU 2008-234369 A1	09.10.2008
		CN 101688514 A	31.03.2010
		EP 2198151 A1	23.06.2010
		JP 2010-522847 A	08.07.2010
		JP 2010-522847 T	08.07.2010
		WO 2008-119165 A1	09.10.2008
US 6899523 B2	31.05.2005	AT 329152 T	15.06.2006
		AU 2001-21685 A1	09.07.2001
		AU 2168501 A	09.07.2001
		BR 0016726 A	03.09.2002
		CA 2395214 A1	05.07.2001
		CA 2395214 C	26.04.2005
		DE 19963086 C1	28.06.2001
		DE 50012942 D1	20.07.2006
		DK1244872T3	16.10.2006
		EP 1244872 A1	02.10.2002
		EP 1244872 B1	07.06.2006
		ES 2264426 T3	01.01.2007
		JP 03-833535 B2	11.10.2006
		JP 2003-524100 A	12.08.2003
		JP 2003-524100 T	12.08.2003
		KR 10-0532215 B1	29.11.2005
		PT1244872E	29.09.2006
		PT1244872T	29.09.2006
		US 2004-0115057 A1	17.06.2004
		WO 01-48377 A1	05.07.2001