



(12) **United States Design Patent**
Xiong

(10) **Patent No.:** **US D1,001,850 S**
(45) **Date of Patent:** **** Oct. 17, 2023**

- (54) **ICE MOLD**
- (71) Applicant: **Shenzhen Jiameiqi Investment Consultation Co., Ltd.**, Shenzhen (CN)
- (72) Inventor: **Aichun Xiong**, Hunan (CN)
- (73) Assignee: **Shenzhen Jiameiqi Investment Consultation Co., Ltd.**, Shenzhen (CN)

D847,222	S	*	4/2019	Todirca	D15/90
D899,470	S	*	10/2020	Liu	D15/90
D914,067	S		3/2021	Wu	
D915,475	S	*	4/2021	Wu	D15/90
D918,970	S	*	5/2021	Zhai	D15/90
D923,067	S	*	6/2021	Zhao	D15/90
D931,914	S	*	9/2021	Zhai	D15/90
D947,259	S		3/2022	Cran	
D956,832	S	*	7/2022	Ye	D15/90
D960,668	S	*	8/2022	Seo	D7/672

(Continued)

(**) Term: **15 Years**

(21) Appl. No.: **29/876,017**

(22) Filed: **May 15, 2023**

(51) **LOC (14) Cl.** **07-10**

(52) **U.S. Cl.**
USPC **D15/90**

(58) **Field of Classification Search**
 USPC D7/300, 368, 387, 603, 605-609, 619.1, D7/669, 672, 675, 676, 709, 710; D15/79, 80, 90; D9/757, 759; D3/201, D3/203.1-203.8, 272-274, 283, 289, 301
 CPC F25C 1/08; F25C 1/24; F25C 1/25; F25C 1/243; F25C 1/246; B65D 81/38; B65D 81/3813; B65D 81/3816; B65D 81/3818; B65D 81/382; B65D 81/3823; B65D 81/3825; B65D 81/3827; B65D 81/383; B65D 81/3832; B65D 81/3834; B65D 81/3848; B65D 81/3851; B65D 81/3853; B65D 81/3855; B65D 81/3858; B65D 81/386; B65D 81/3862; B65D 81/3874; F25D 2331/804; F25D 2331/801; A45C 11/20

See application file for complete search history.

(56) **References Cited**

U.S. PATENT DOCUMENTS

D346,552	S	*	5/1994	Krupa	D9/757
D782,334	S	*	3/2017	Bishop	D9/757

OTHER PUBLICATIONS

Tinana, Ice Ball Maker, (first available Mar. 30, 2020), Amazon.com, URL:<<https://www.amazon.com/TINANA-mould/dp/B086JZHNVS>> (Year: 2020).*

(Continued)

Primary Examiner — Calvin E Vansant
Assistant Examiner — Mark T. Philipps

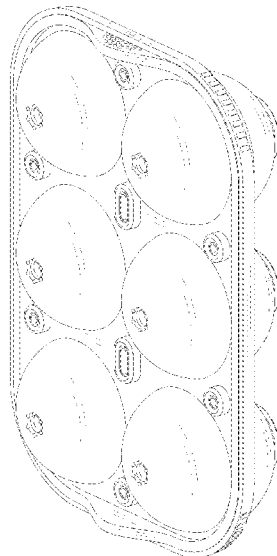
(57) **CLAIM**

The ornamental design for a ice mold, as shown and described.

DESCRIPTION

FIG. 1 is a front, left side perspective view of a ice mold, showing my new design;
 FIG. 2 is a rear, right side perspective view thereof;
 FIG. 3 is front, right side perspective view of the ice mold with the lower half of the case removed from view for ease of illustration;
 FIG. 4 is a front elevational view of a ice mold, showing my new design;
 FIG. 5 is a rear elevational view thereof;
 FIG. 6 is a left side elevational view thereof;
 FIG. 7 is a right side elevational view thereof;
 FIG. 8 is a top plan view thereof; and,
 FIG. 9 is a bottom plan view thereof.

1 Claim, 9 Drawing Sheets



(56)

References Cited

U.S. PATENT DOCUMENTS

D982,044 S * 3/2023 Shao D15/90
2015/0021458 A1 * 1/2015 Zorovich B29C 33/405
249/134

OTHER PUBLICATIONS

Trenect, Large Ice Cube Trays, (first available Oct. 7, 2020),
Amazon.com, URL:<<https://www.amazon.ae/Trenect-Whiskey-Release-Silicone-Cocktail/dp/B08B7QXMXR>> (Year: 2020).*

IceXXP, Whiskey Ice Ball Maker, (first available Mar. 20, 2022),
Amazon.com, URL:<<https://www.amazon.com/ICEXXP-Whiskey-without-Reusable-Silicone/dp/B09YC5LF28>> (Year: 2022).*

* cited by examiner

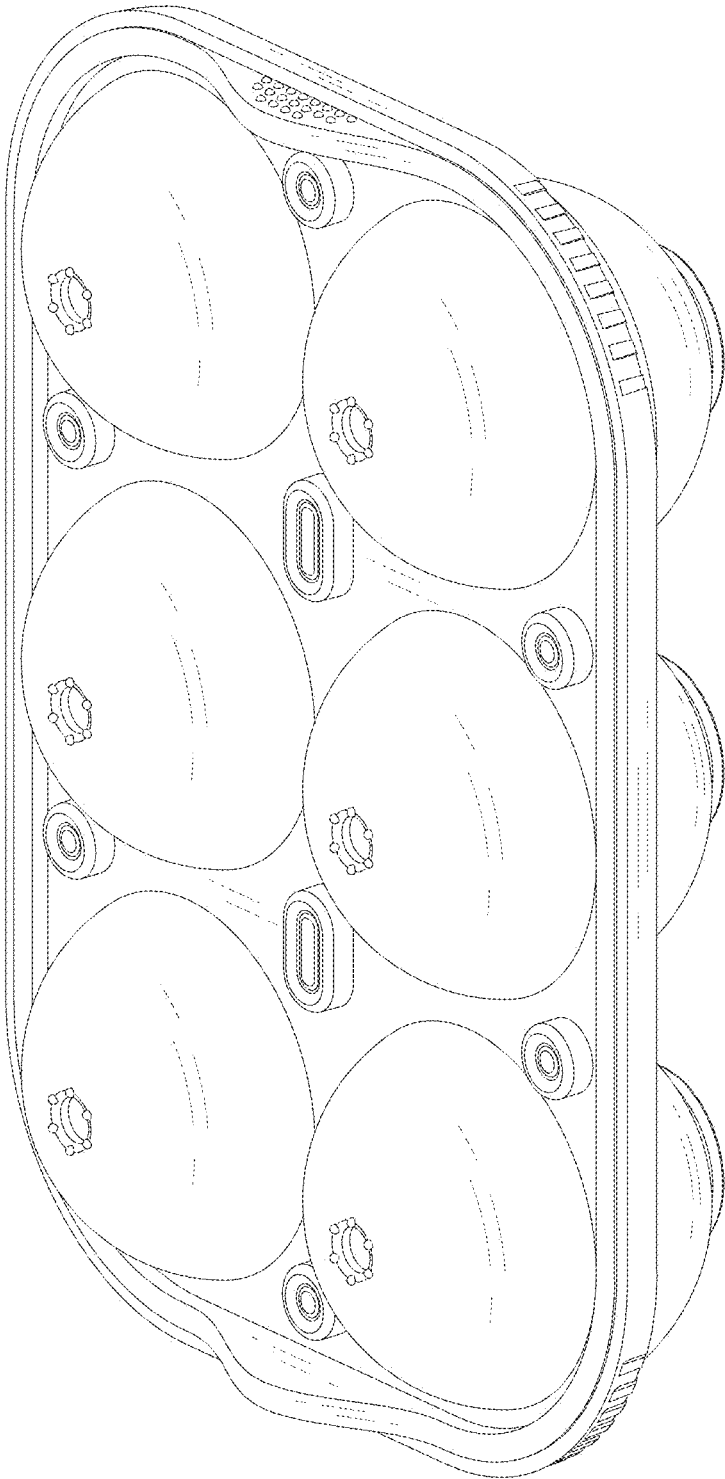


FIG. 1

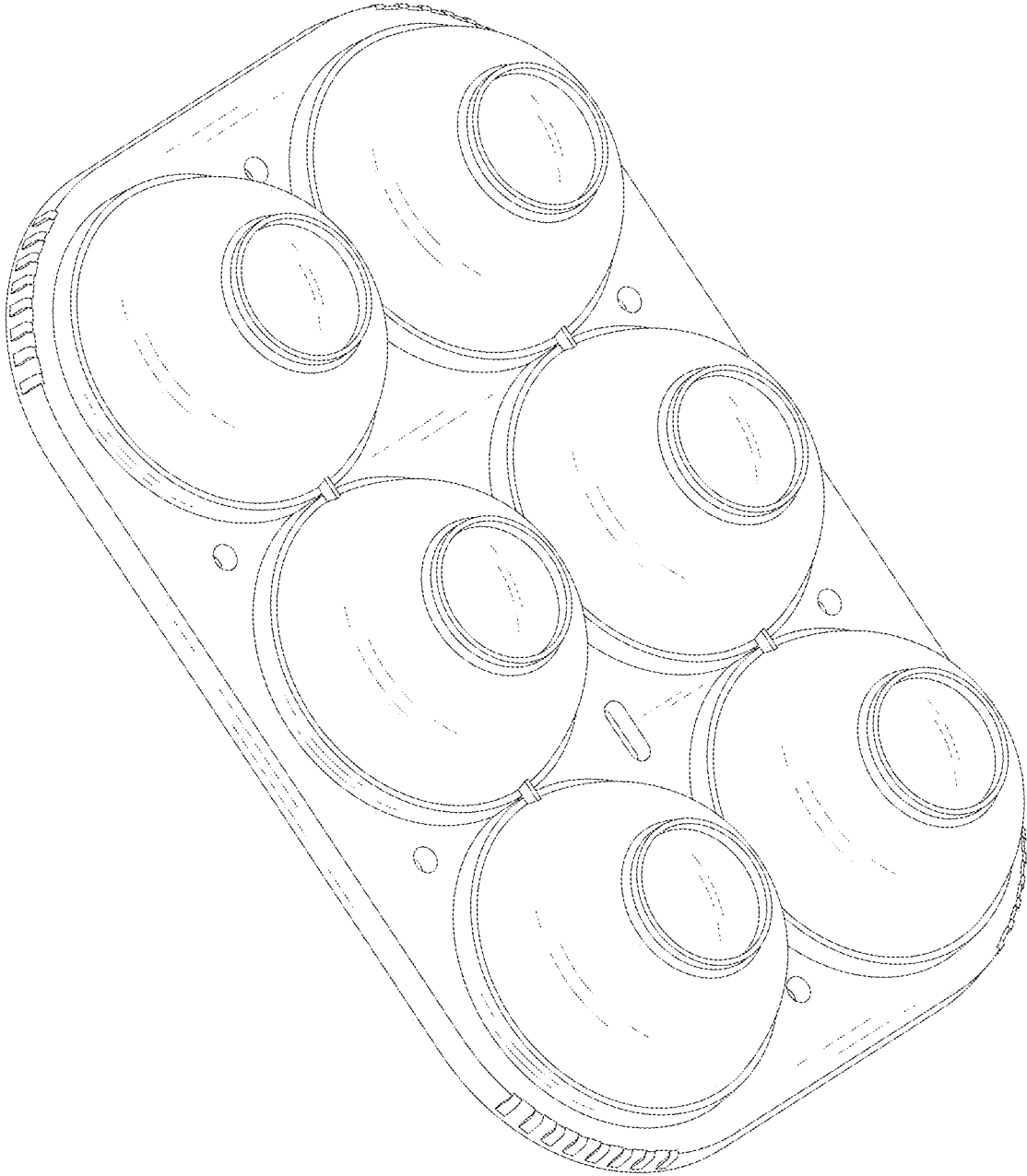


FIG. 2

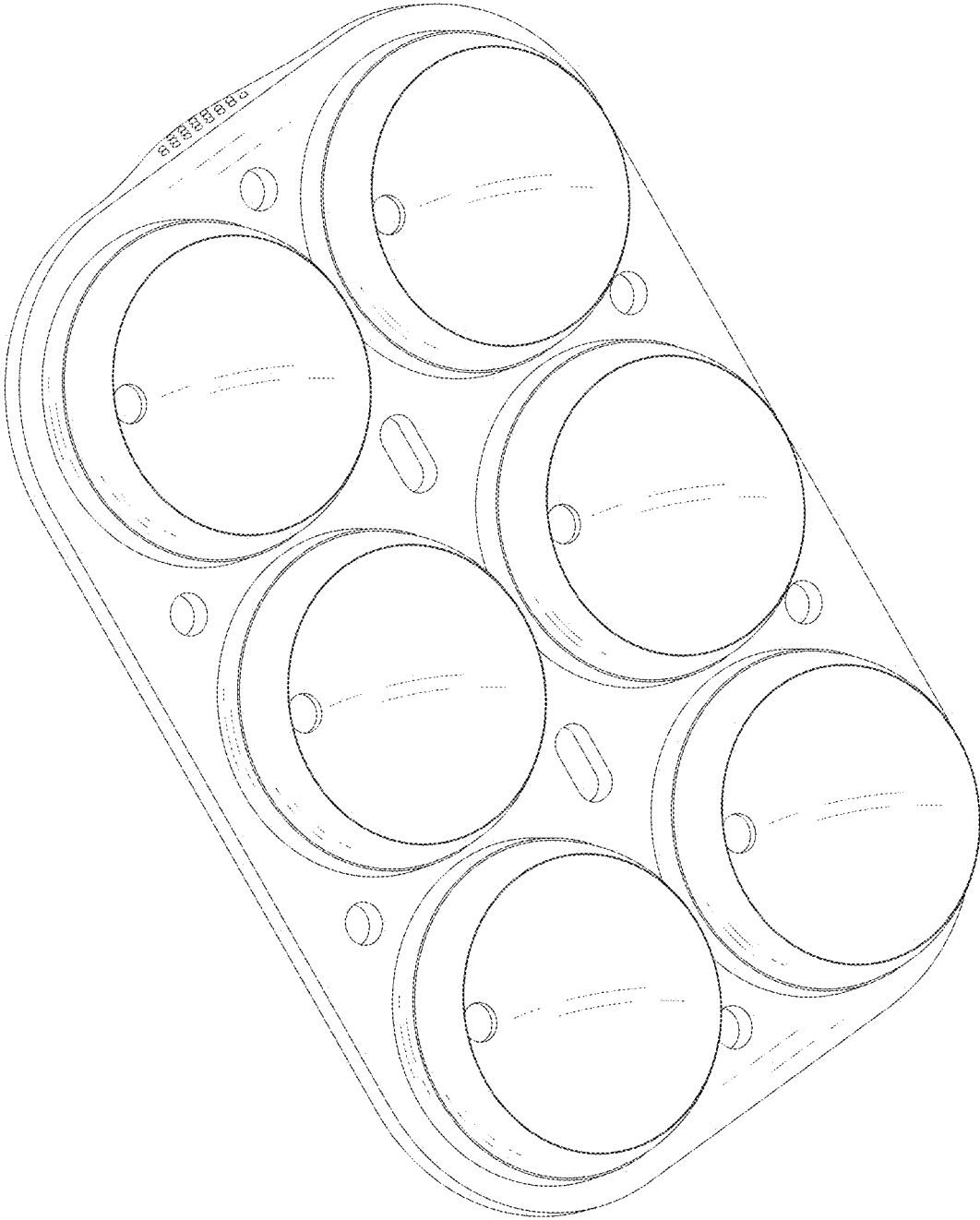


FIG. 3

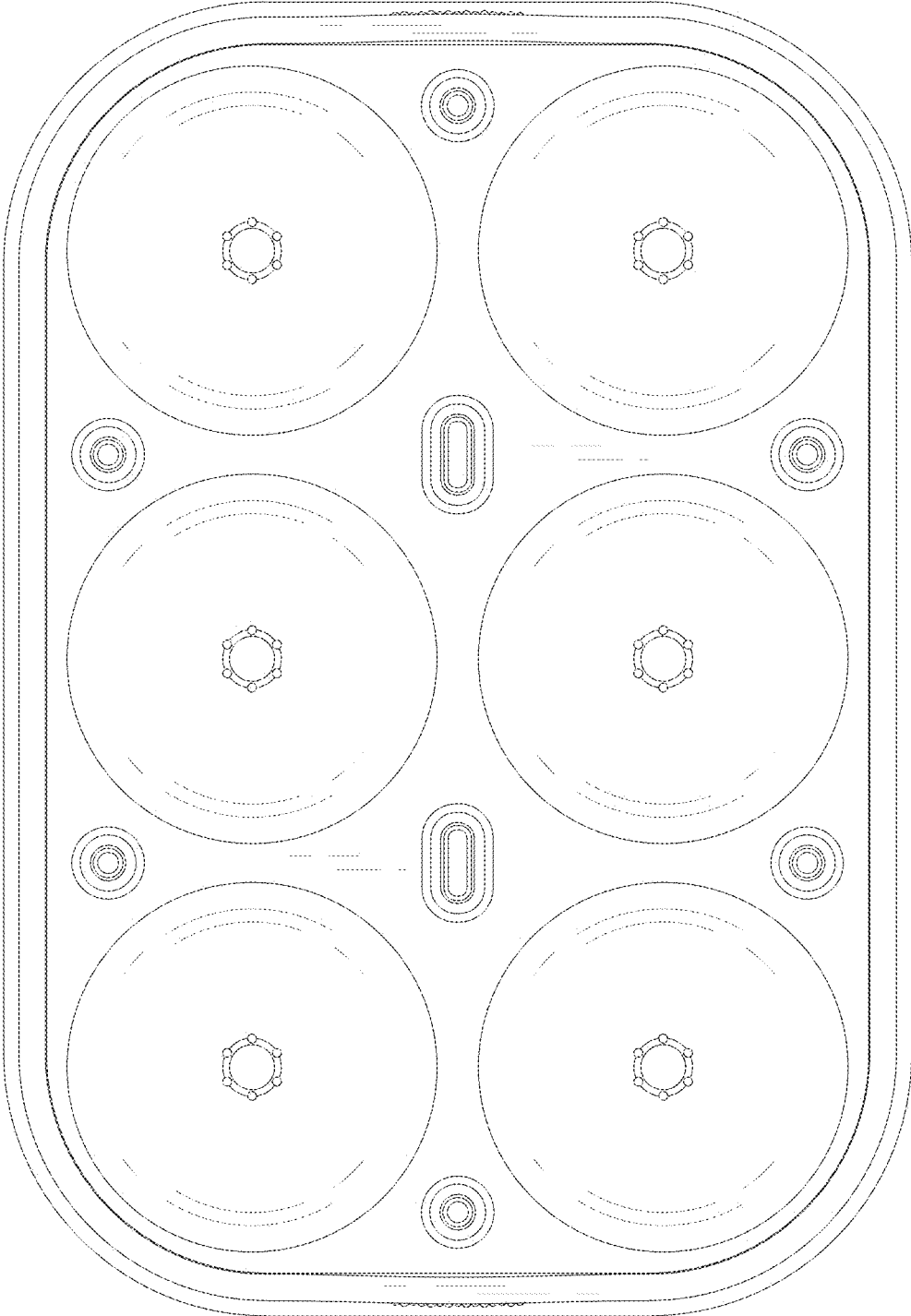


FIG. 4

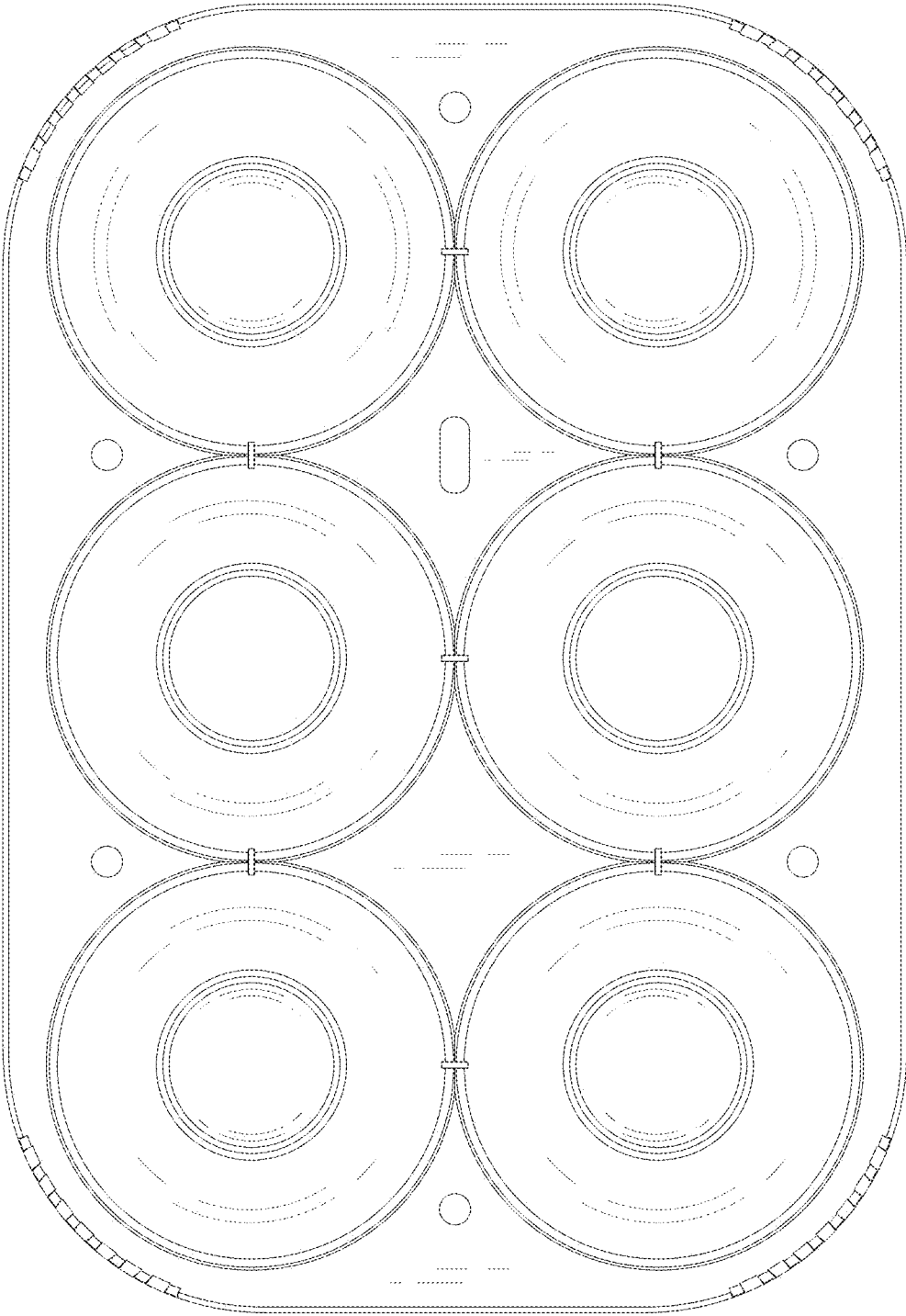


FIG. 5

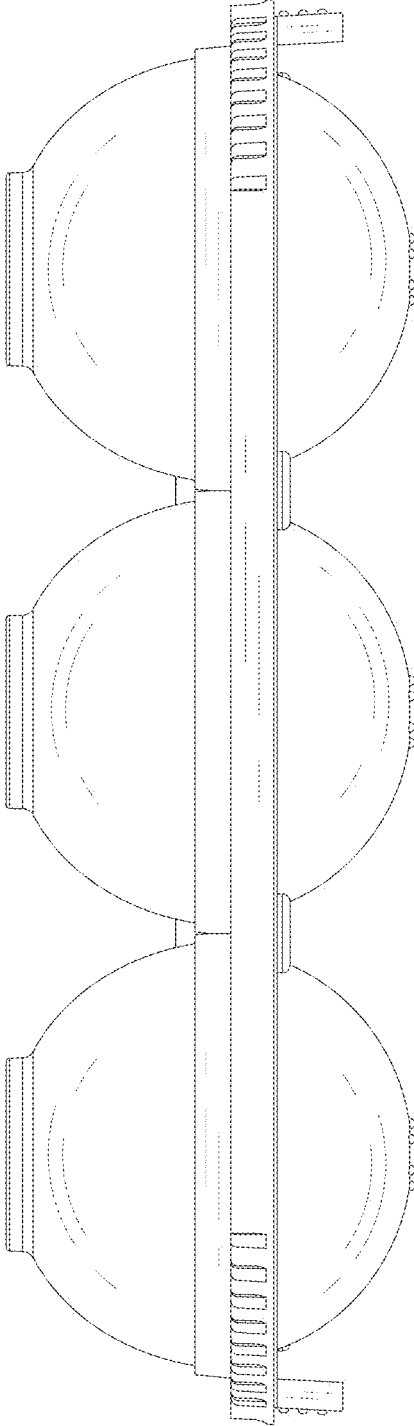


FIG. 6

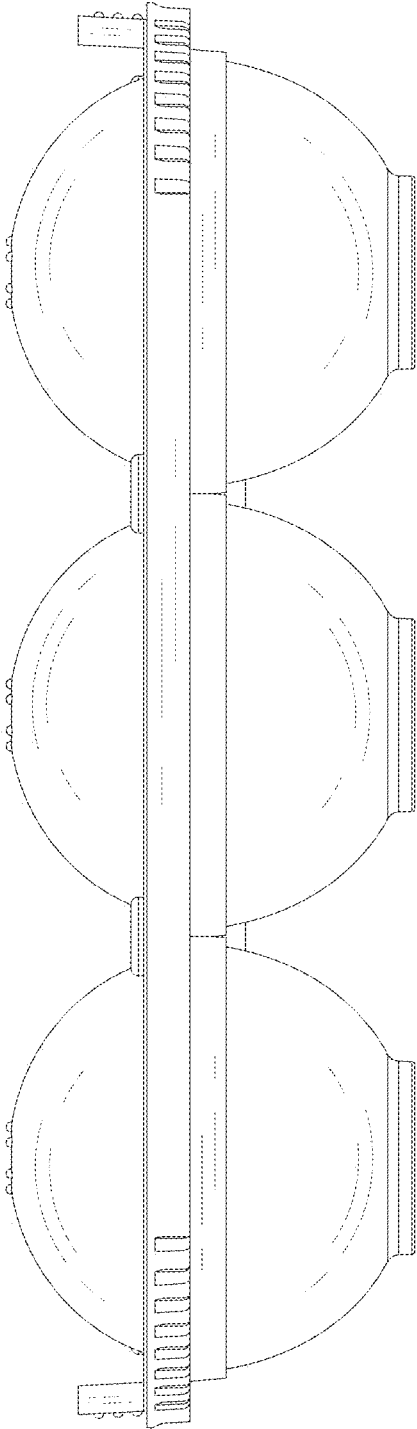


FIG. 7

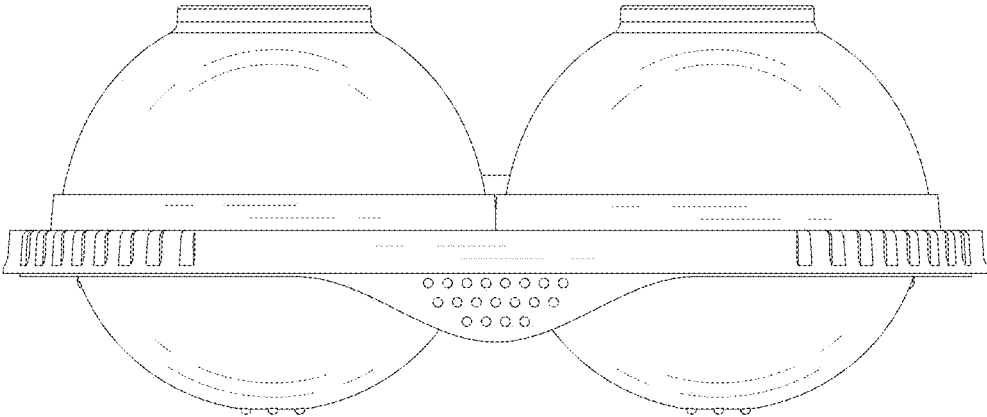


FIG. 8

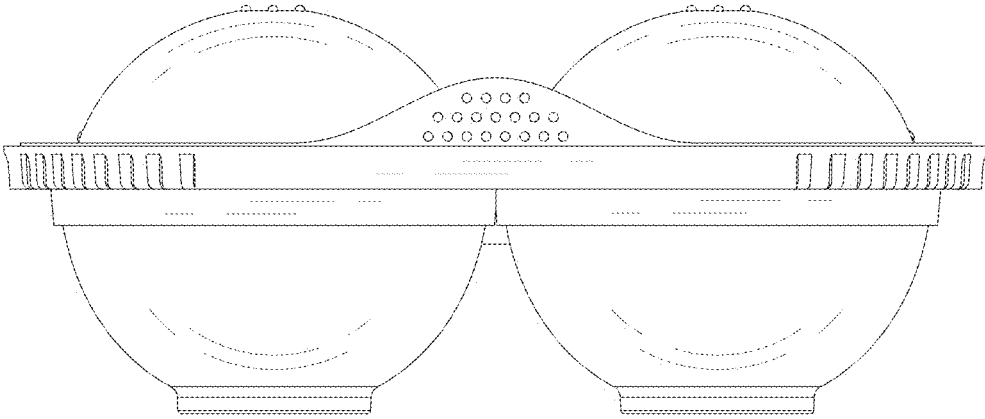


FIG. 9