



US00D485371S

(12) **United States Design Patent** (10) **Patent No.:** **US D485,371 S**
Burgess et al. (45) **Date of Patent:** **** Jan. 13, 2004**

- (54) **RETAINING WALL BLOCK** 5,601,384 A 2/1997 Dawson 405/284
- 5,622,456 A 4/1997 Risi et al. 405/284
- (75) Inventors: **Andrew Burgess**, Fall Creek, WI (US);
William Henschler, Eau Claire, WI
(US) D380,560 S 7/1997 Forsberg D25/113
- D381,086 S 7/1997 Forsberg D25/113
- D384,168 S 9/1997 Stevenson D25/115
- D387,434 S 12/1997 Dawson D25/118
- (73) Assignee: **Menard, Inc.**, Eau Claire, WI (US) 5,704,183 A 1/1998 Woolford 52/604
- D391,376 S * 2/1998 Strand et al. D25/113
- (**) Term: **14 Years** D397,230 S 8/1998 Forsberg D25/114
- D397,451 S 8/1998 Stevenson D25/115
- (21) Appl. No.: **29/176,095** 5,795,105 A 8/1998 Guth 405/284
- (22) Filed: **Feb. 17, 2003** D403,437 S 12/1998 Risi et al. D25/113
- (51) **LOC (7) Cl.** **25-02** 5,865,006 A 2/1999 Dawson 52/604
- (52) **U.S. Cl.** **D25/113** D429,006 S 8/2000 Price et al. D25/113
- (58) **Field of Search** D25/113-118; D21/484-485, 490, 493, 500-503; 405/16, 284; 404/34, 40-42; 52/102, 503, 574, 596-613 D430,308 S 8/2000 Dawson D25/113
- 6,113,318 A 9/2000 Guth 405/284
- 6,149,352 A 11/2000 MacDonald 405/284
- D435,304 S 12/2000 Rainey D25/114
- 6,178,704 B1 1/2001 Sievert 52/100
- D438,640 S 3/2001 Bolles et al. D25/113
- 6,209,848 B1 4/2001 Bolles et al. 249/119
- 6,250,850 B1 6/2001 Price et al. 405/284
- RE37,278 E 7/2001 Forsberg 52/585.1

(56) **References Cited**

U.S. PATENT DOCUMENTS

D296,365 S 6/1988 Forsberg D25/116
D297,767 S 9/1988 Forsberg D25/58
D298,463 S 11/1988 Forsberg D25/114
D299,067 S 12/1988 Forsberg D25/58
D300,253 S 3/1989 Forsberg D25/114
D300,254 S 3/1989 Forsberg D25/114
D301,064 S 5/1989 Forsberg D25/116
4,909,010 A 3/1990 Gravier 52/609
D317,048 S 5/1991 Forsberg D25/112
D319,885 S 9/1991 Blomquist et al. D25/118
D321,060 S 10/1991 Blomquist et al. D25/118
5,161,918 A 11/1992 Hodel 405/286
RE34,314 E 7/1993 Forsberg 52/562
5,230,195 A * 7/1993 Sease 52/603 X
D341,215 S 11/1993 Blomquist et al. D25/118
D343,461 S * 1/1994 Powell D25/114
D346,667 S 5/1994 Blomquist et al. D25/113
5,337,527 A * 8/1994 Wagenaar 52/604 X
D363,787 S * 10/1995 Powell D25/118
5,484,236 A 1/1996 Gravier 405/286
D370,272 S 5/1996 Risi et al. D25/113
5,551,809 A 9/1996 Forsberg 405/285
5,589,124 A 12/1996 Woolford et al. 264/157

(List continued on next page.)

Primary Examiner—Louis S. Zarfaz
Assistant Examiner—Robert A. Delehanty
(74) *Attorney, Agent, or Firm*—Boyle Fredrickson
Newholm Stein & Gratz S.C.

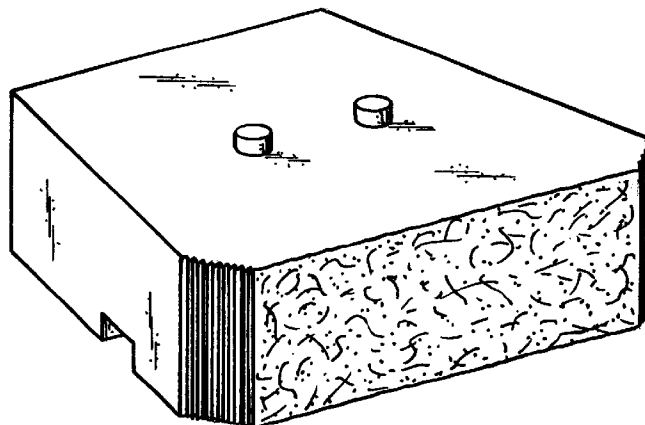
(57) **CLAIM**

The ornamental design for a retaining wall block, as shown and described.

DESCRIPTION

FIG. 1 is a front perspective view of a retaining wall block showing our new design;
FIG. 2 is a top plan view of the block of FIG. 1;
FIG. 3 is a bottom plan view of the block of FIG. 1;
FIG. 4 is a left side elevational view of the block of FIG. 1, the right side elevational view being a mirror copy of this view;
FIG. 5 is a rear elevational view of the block of FIG. 1; and,
FIG. 6 is a front elevational view of the block of FIG. 1.

1 Claim, 3 Drawing Sheets



US D485,371 S

Page 2

U.S. PATENT DOCUMENTS

D445,512 S	7/2001	Sievert	D25/113	D464,149 S	10/2002	Risi et al.	D25/113
D452,332 S	12/2001	Blomquist et al.	D25/113	D464,440 S	10/2002	Risi et al.	D25/113
6,338,597 B1	1/2002	Rainey	405/262	D465,855 S	* 11/2002	Risi et al.	D25/113
D458,693 S	* 6/2002	Sievert	D25/113	D466,229 S	* 11/2002	Risi et al.	D25/113
D459,487 S	* 6/2002	Bott	D25/118				

* cited by examiner

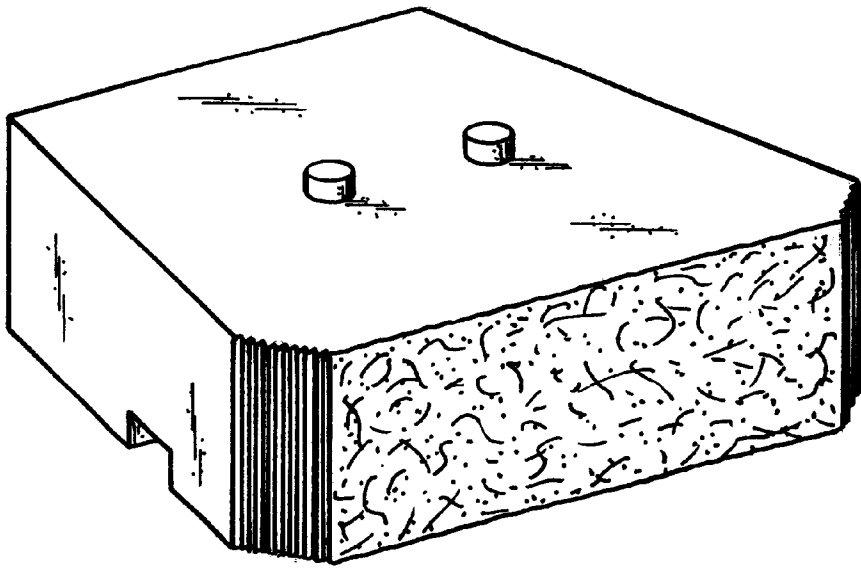


FIG. 1

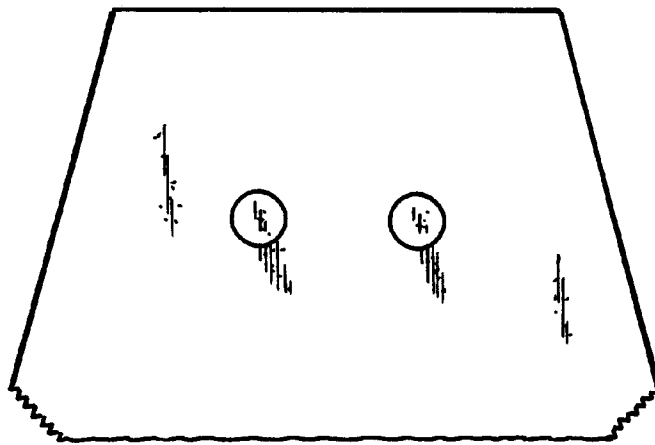


FIG. 2

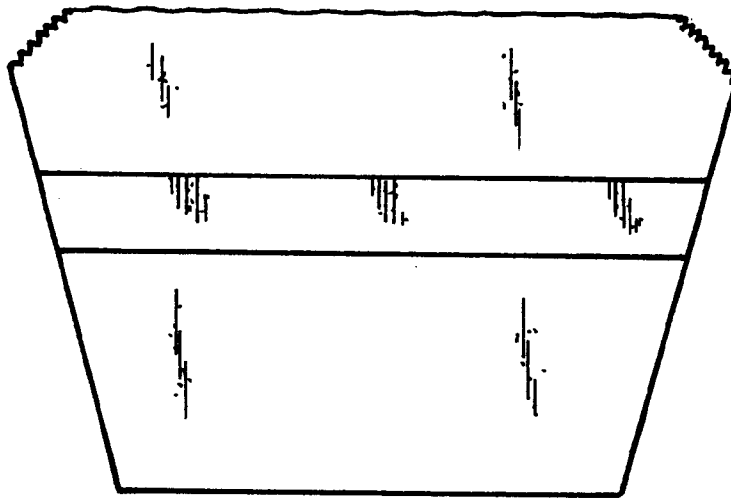


FIG. 3

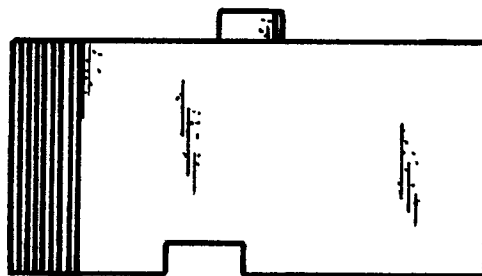


FIG. 4

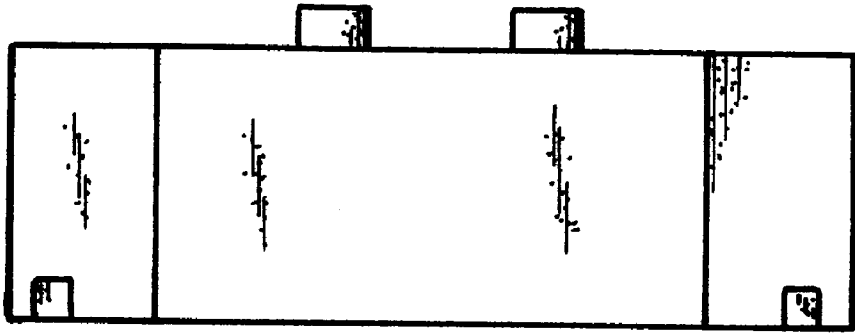


FIG. 5

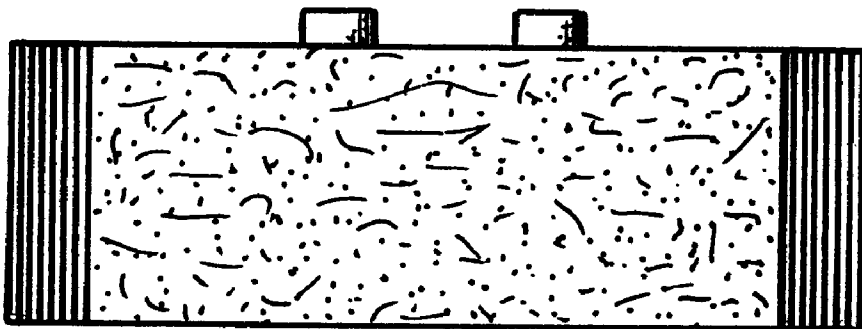


FIG. 6