



US00D526020S

(12) **United States Design Patent**
Cetera

(10) **Patent No.:** **US D526,020 S**

(45) **Date of Patent:** **** Aug. 1, 2006**

- (54) **PEN**
- (75) **Inventor:** **Carl Cetera**, Tenafly, NJ (US)
- (73) **Assignee:** **Cotapaxi Custom Design and Manufacturing LLC**, Carlstadt, NJ (US)
- (**) **Term:** **14 Years**
- (21) **Appl. No.:** **29/215,099**
- (22) **Filed:** **Oct. 12, 2004**
- (51) **LOC (8) Cl.** **19-06**
- (52) **U.S. Cl.** **D19/47**
- (58) **Field of Classification Search** D19/35, D19/36, 41, 42, 43, 44, 45, 46, 47, 48, 49, D19/50, 51, 54, 55, 56, 57; 24/11 R, 11 HC, 24/11 F, 11 P; 401/48, 52, 88, 95, 96, 97, 401/99, 100, 104-109, 192, 195
See application file for complete search history.

(56) **References Cited**

U.S. PATENT DOCUMENTS

- D31,670 S * 10/1899 Oberbeck D19/50
- 1,427,985 A * 9/1922 Vasselli 401/85
- D198,959 S * 8/1964 Di Fulvio et al. D10/72

- D406,165 S * 2/1999 Nadel D19/36
- D422,024 S * 3/2000 Andrews et al. D19/50
- 6,164,855 A * 12/2000 Perry et al. 401/6
- D452,273 S * 12/2001 Blom et al. D19/46
- D497,180 S * 10/2004 Cetera D19/36
- 2001/0053307 A1 * 12/2001 Rigoni 401/222

* cited by examiner

Primary Examiner—Elizabeth A. Albert

(74) *Attorney, Agent, or Firm*—The Soni Law Firm

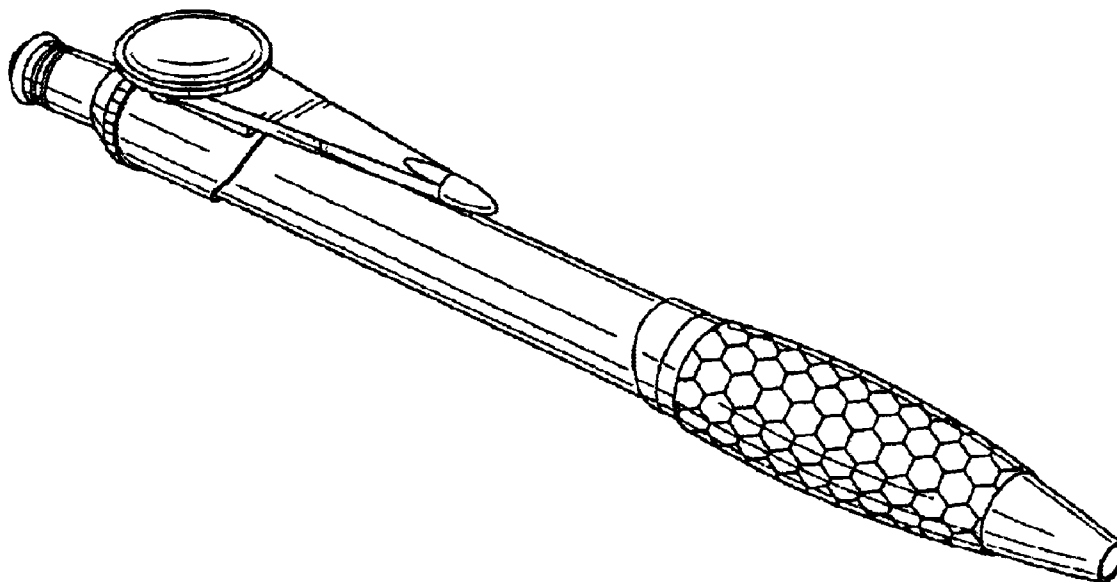
(57) **CLAIM**

The ornamental design for a pen, as shown and described.

DESCRIPTION

FIG. 1 is a top front perspective view of the pen;
 FIG. 2 is a front elevation view of the pen of FIG. 1;
 FIG. 3 is a side elevation view of the pen of FIG. 1;
 FIG. 4 is a back elevation view of the pen of FIG. 1;
 FIG. 5 is a bottom plan view of the pen of FIG. 1;
 FIG. 6 is a top plan view of the pen of FIG. 1;
 FIG. 7 is an exploded top front perspective view of the pen of FIG. 1; and,
 FIG. 8 is an exploded front elevation view of the pen of FIG. 1 with the clip turned over to show the rear.

1 Claim, 2 Drawing Sheets



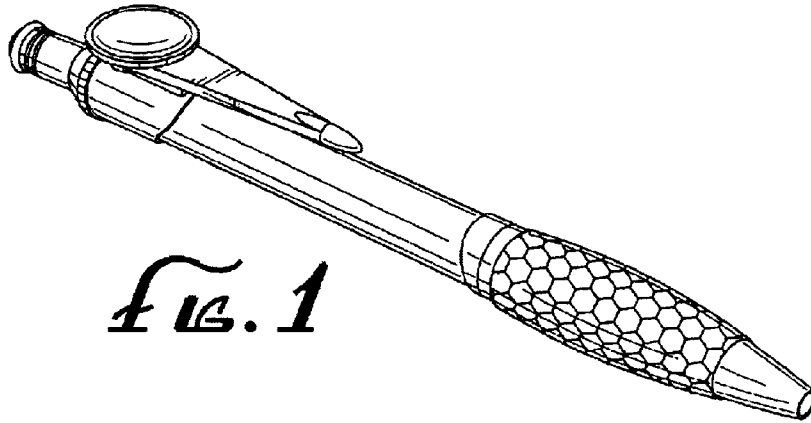


FIG. 1

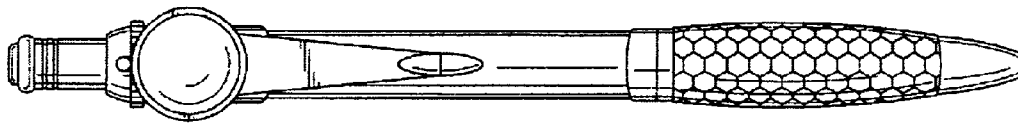


FIG. 2

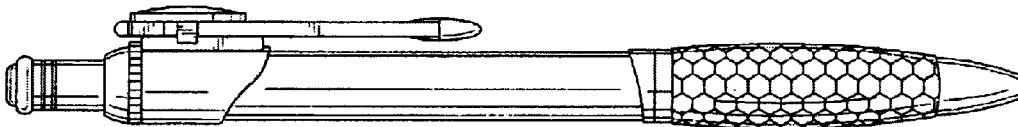


FIG. 3

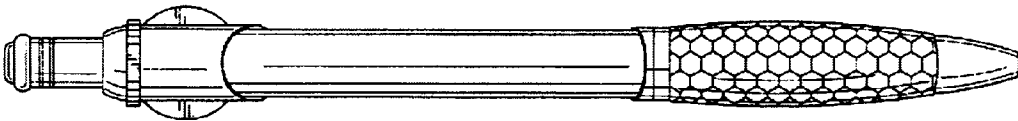


FIG. 4

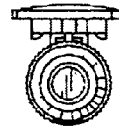
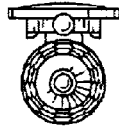


FIG. 5

FIG. 6

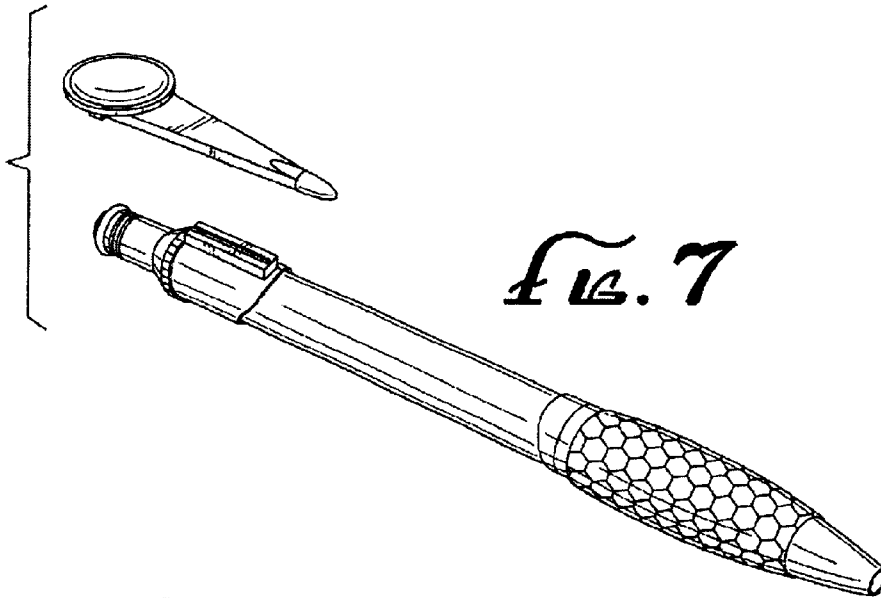


FIG. 7

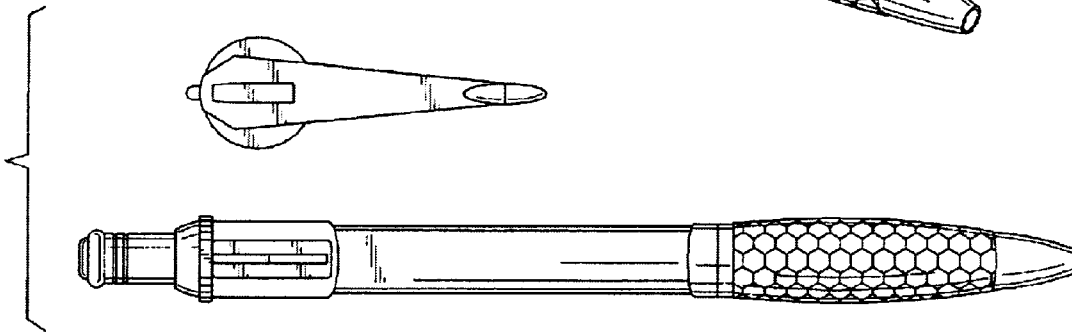


FIG. 8