

(19) World Intellectual Property Organization
International Bureau



(43) International Publication Date
17 November 2005 (17.11.2005)

PCT

(10) International Publication Number
WO 2005/109842 A3

(51) International Patent Classification:

H04B 1/38 (2006.01) H04M 3/00 (2006.01)
H04M 1/00 (2006.01) H04Q 7/24 (2006.01)

(21) International Application Number:

PCT/US2004/029667

(22) International Filing Date:

13 September 2004 (13.09.2004)

(25) Filing Language:

English

(26) Publication Language:

English

(30) Priority Data:

60/503,314 15 September 2003 (15.09.2003) US
10/924,706 23 August 2004 (23.08.2004) US

(71) Applicant (for all designated States except US):
ATHEROS COMMUNICATIONS, INC. [US/US]; 5480
Great America Parkway, Santa Clara, CA 95054-3644
(US).

(72) Inventor; and

(75) Inventor/Applicant (for US only): LI, Sheung, L.
[US/US]; 225 Chiquita Avenue, Mountain view, CA 94041
(US).

(74) Agent: BEVER, HOFFMAN & HARMS, LLP; 2099
Gateway Place, Suite 320, San Jose, CA 95110 (US).

(81) Designated States (unless otherwise indicated, for every
kind of national protection available): AE, AG, AL, AM,
AT, AU, AZ, BA, BB, BG, BR, BW, BY, BZ, CA, CH, CN,
CO, CR, CU, CZ, DE, DK, DM, DZ, EC, EE, EG, ES, FI,
GB, GD, GE, GH, GM, HR, HU, ID, IL, IN, IS, JP, KE,
KG, KP, KR, KZ, LC, LK, LR, LS, LT, LU, LV, MA, MD,
MG, MK, MN, MW, MX, MZ, NA, NI, NO, NZ, OM, PG,
PH, PL, PT, RO, RU, SC, SD, SE, SG, SK, SL, SY, TJ, TM,
TN, TR, TT, TZ, UA, UG, US, UZ, VC, VN, YU, ZA, ZM,
ZW.

(84) Designated States (unless otherwise indicated, for every
kind of regional protection available): ARIPO (BW, GH,
GM, KE, LS, MW, MZ, NA, SD, SL, SZ, TZ, UG, ZM,
ZW), Eurasian (AM, AZ, BY, KG, KZ, MD, RU, TJ, TM),
European (AT, BE, BG, CH, CY, CZ, DE, DK, EE, ES, FI,
FR, GB, GR, HU, IE, IT, LU, MC, NL, PL, PT, RO, SE,
SI, SK, TR), OAPI (BF, BJ, CF, CG, CI, CM, GA, GN,
GQ, GW, ML, MR, NE, SN, TD, TG).

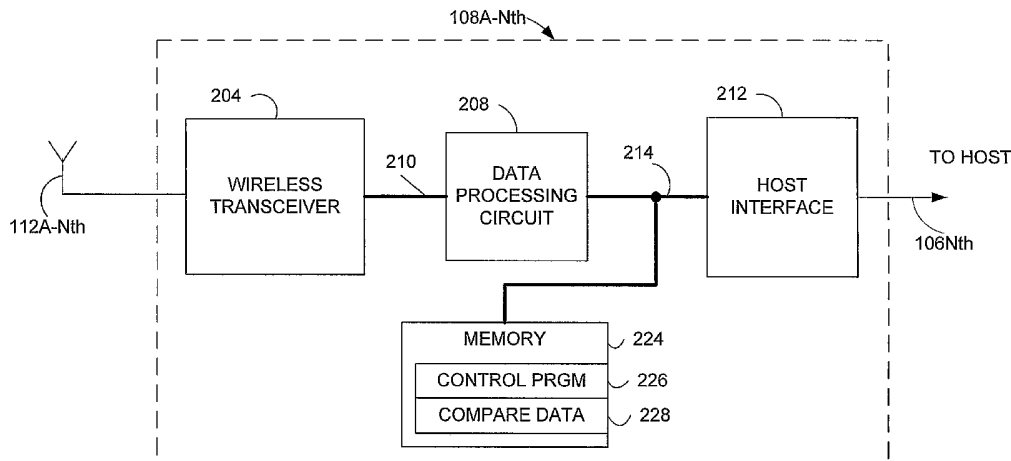
Published:

— with international search report
— before the expiration of the time limit for amending the
claims and to be republished in the event of receipt of
amendments

(88) Date of publication of the international search report:
8 June 2006

For two-letter codes and other abbreviations, refer to the "Guidance
Notes on Codes and Abbreviations" appearing at the beginning
of each regular issue of the PCT Gazette.

(54) Title: METHOD AND APPARATUS FOR WAKE ON WIRELESS SYSTEMS



(57) Abstract: A method and apparatus to wirelessly control network devices is described. In one embodiment, a wireless device is used to control at least one host device using a network. In one aspect, a wireless device receives and determines a response to network control signals received thereto. In another aspect, a wireless device controls a host sleep sequence to allow a network to remotely power a host device between an active and passive state. In one aspect, a wireless device provides one or more network identification responses to signals received from the network. In another aspect, a network provides an alert to a third party such as a network administrator if the network determines a wireless device is absent from the network due to a loss of signal therefrom.

WO 2005/109842 A3

INTERNATIONAL SEARCH REPORT

International application No.

PCT/US04/29667

A. CLASSIFICATION OF SUBJECT MATTER
 IPC: H04M 3/00(2006.01),1/00(2006.01);H04Q 7/24(2006.01);H04B 1/38(2006.01)
 USPC: 455/420,574
 According to International Patent Classification (IPC) or to both national classification and IPC

B. FIELDS SEARCHED

Minimum documentation searched (classification system followed by classification symbols)
 U.S. : 455/420, 574, 554.1; 370/346; 709/230, 237

Documentation searched other than minimum documentation to the extent that such documents are included in the fields searched

Electronic data base consulted during the international search (name of data base and, where practicable, search terms used)

C. DOCUMENTS CONSIDERED TO BE RELEVANT

Category *	Citation of document, with indication, where appropriate, of the relevant passages	Relevant to claim No.
X,P --- Y,P	US 2004/0081133 A1 (SMAVATKUL et al.) 29 April 2004, fig. 3; para. 0030, 0018, 0021-0024.	1, 3, 7-14 ----- 2, 4-6, 15-22
Y,P	US 2004/0078480 A1 (BOUCHER et al.) 22 April 2004, para. 0094, 0100, 0102, 0391, 0404, 0428.	2, 4-6, 15-22
A,P	US 2004/0038707 A1 (KIM) 26 February 2004, see entire document.	1-22

Further documents are listed in the continuation of Box C. See patent family annex.

* Special categories of cited documents:	"T" later document published after the international filing date or priority date and not in conflict with the application but cited to understand the principle or theory underlying the invention
"A" document defining the general state of the art which is not considered to be of particular relevance	"X" document of particular relevance; the claimed invention cannot be considered novel or cannot be considered to involve an inventive step when the document is taken alone
"E" earlier application or patent published on or after the international filing date	"Y" document of particular relevance; the claimed invention cannot be considered to involve an inventive step when the document is combined with one or more other such documents, such combination being obvious to a person skilled in the art
"L" document which may throw doubts on priority claim(s) or which is cited to establish the publication date of another citation or other special reason (as specified)	"&" document member of the same patent family
"O" document referring to an oral disclosure, use, exhibition or other means	
"P" document published prior to the international filing date but later than the priority date claimed	

Date of the actual completion of the international search: 07 April 2006 (07.04.2006)
 Date of mailing of the international search report: 21 APR 2006

Name and mailing address of the ISA/US: Mail Stop PCT, Attn: ISA/US, Commissioner for Patents, P.O. Box 1450, Alexandria, Virginia 22313-1450, Facsimile No. (571) 273-3201
 Authorized officer: Kenneth Wieder, Telephone No. 571-272-2986
Ruzgenia Zogian