

(19) World Intellectual Property Organization
International Bureau



(43) International Publication Date
13 December 2007 (13.12.2007)

PCT

(10) International Publication Number
WO 2007/143614 A3

(51) International Patent Classification:
G06F 17/30 (2006.01)

(21) International Application Number:
PCT/US2007/070344

(22) International Filing Date: 4 June 2007 (04.06.2007)

(25) Filing Language: English

(26) Publication Language: English

(30) Priority Data:
11/447,464 5 June 2006 (05.06.2006) US

(71) Applicant (for all designated States except US): **PALM, INC.** [US/US]; 950 W. Maude Avenue, Sunnyvale, , California 94085-2801 (US).

(72) Inventor; and

(75) Inventor/Applicant (for US only): **CHAMBERS, Paul** [GB/US]; 4307 Montmorency Court, San Jose, California 95118-2024 (US).

(74) Agent: **KACVINSKY, John F.**; c/o Intellevate, P.O. Box 52050, Minneapolis, MN 55402 (US).

(81) Designated States (unless otherwise indicated, for every kind of national protection available): AE, AG, AL, AM, AT, AU, AZ, BA, BB, BG, BH, BR, BW, BY, BZ, CA, CH, CN, CO, CR, CU, CZ, DE, DK, DM, DO, DZ, EC, EE, EG, ES, FI, GB, GD, GE, GH, GM, GT, HN, HR, HU, ID, IL, IN, IS, JP, KE, KG, KM, KN, KP, KR, KZ, LA, LC, LK, LR, LS, LT, LU, LY, MA, MD, ME, MG, MK, MN, MW, MX, MY, MZ, NA, NG, NI, NO, NZ, OM, PG, PH, PL, PT, RO, RS, RU, SC, SD, SE, SG, SK, SL, SM, SV, SY, TJ, TM, TN, TR, TT, TZ, UA, UG, US, UZ, VC, VN, ZA, ZM, ZW.

(84) Designated States (unless otherwise indicated, for every kind of regional protection available): ARIPO (BW, GH, GM, KE, LS, MW, MZ, NA, SD, SL, SZ, TZ, UG, ZM, ZW), Eurasian (AM, AZ, BY, KG, KZ, MD, RU, TJ, TM), European (AT, BE, BG, CH, CY, CZ, DE, DK, EE, ES, FI, FR, GB, GR, HU, IE, IS, IT, LT, LU, LV, MC, MT, NL, PL, PT, RO, SE, SI, SK, TR), OAPI (BF, BJ, CF, CG, CI, CM, GA, GN, GQ, GW, ML, MR, NE, SN, TD, TG).

Published:
— with international search report

(88) Date of publication of the international search report:
11 December 2008

(54) Title: TECHNIQUES TO ASSOCIATE MEDIA INFORMATION WITH RELATED INFORMATION

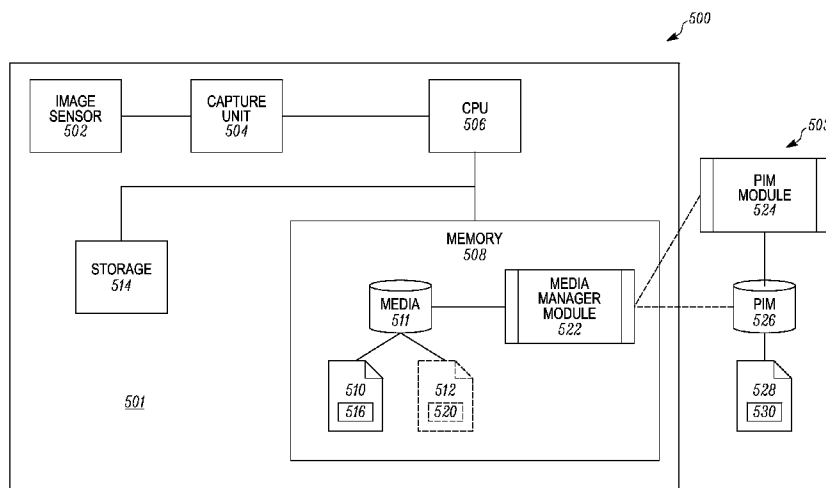


FIG. 5

(57) Abstract: System, apparatus, method, and article for techniques to associate media data with related information. A mobile computing device includes a media manager module. The media manager module processes a media file including metadata. The media manager module retrieves a first content from a metadata field in the metadata. The media manager module retrieves a second content from a field in an application file associated with an application client. The media manager module compares the first and second contents and determines whether the first and second contents are associated. If the first and second contents are associated, the media manager module retrieves the second content and inserts the second content in a second metadata field of the media file.

WO 2007/143614 A3

INTERNATIONAL SEARCH REPORT

International application No.

PCT/US07/70344

A. CLASSIFICATION OF SUBJECT MATTER
IPC: G06F 17/30(2006.01)

USPC: 707/1,100,AND 104.1
 According to International Patent Classification (IPC) or to both national classification and IPC

B. FIELDS SEARCHED

Minimum documentation searched (classification system followed by classification symbols)
 U.S. : 707/ 1, 100, 104.1

Documentation searched other than minimum documentation to the extent that such documents are included in the fields searched

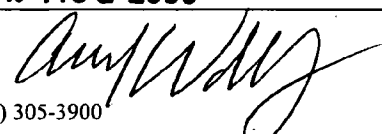
Electronic data base consulted during the international search (name of data base and, where practicable, search terms used)
 WEST US Patents

C. DOCUMENTS CONSIDERED TO BE RELEVANT

Category *	Citation of document, with indication, where appropriate, of the relevant passages	Relevant to claim No.
A	US 6,941,300 B2 (JENSEN-GREY) 6 September 2005 (06.09.2005), column 12, lines 15-49.	1-28
A	US 6,785,688 B2 (ABAJIAN et al) 31 August 2004 (31.08.2004), column 7, lines 23-54, column 8, lines 26-46.	1-28
A, E	US 7,313,591 B2 (EAMES et al) 25 December 2007 (25.12.2007), column 6, lines 45-65, column 9, lines 1-15 and 35-40.	1-28

Further documents are listed in the continuation of Box C. See patent family annex.

* Special categories of cited documents:	"T" later document published after the international filing date or priority date and not in conflict with the application but cited to understand the principle or theory underlying the invention
"A" document defining the general state of the art which is not considered to be of particular relevance	"X" document of particular relevance; the claimed invention cannot be considered novel or cannot be considered to involve an inventive step when the document is taken alone
"E" earlier application or patent published on or after the international filing date	"Y" document of particular relevance; the claimed invention cannot be considered to involve an inventive step when the document is combined with one or more other such documents, such combination being obvious to a person skilled in the art
"L" document which may throw doubts on priority claim(s) or which is cited to establish the publication date of another citation or other special reason (as specified)	"&" document member of the same patent family
"O" document referring to an oral disclosure, use, exhibition or other means	
"P" document published prior to the international filing date but later than the priority date claimed	

Date of the actual completion of the international search 06 August 2008 (06.08.2008)	Date of mailing of the international search report 12 AUG 2008
Name and mailing address of the ISA/US Mail Stop PCT, Attn: ISA/US Commissioner for Patents P.O. Box 1450 Alexandria, Virginia 22313-1450 Facsimile No. (571) 273-3201	Authorized officer John Cottingham  Telephone No. (703) 305-3900