



US00D543723S

(12) **United States Design Patent**
Brown et al.

(10) **Patent No.:** **US D543,723 S**

(45) **Date of Patent:** **** Jun. 5, 2007**

(54) **MOBILE CABINET**

(76) Inventors: **Richard Alan Brown**, 924 R.R. #2, St. Pierre de Broughton, Quebec (CA), G0N 1T0; **Henrietta Rouleau**, 924 R.R. #2, St. Pierre de Broughton, Quebec (CA), G0N 1T0; **Alexander Brown**, 924 R.R. #2, St. Pierre de Broughton, Quebec (CA), G0N 1T0

(**) Term: **14 Years**

(21) Appl. No.: **29/229,025**

(22) Filed: **May 3, 2005**

(30) **Foreign Application Priority Data**

Nov. 12, 2004 (CA) 108997

(51) **LOC (8) Cl.** **06-04**

(52) **U.S. Cl.** **D6/436; D34/19**

(58) **Field of Classification Search** **D6/432-448; D34/19, 20, 14; 312/140.2, 204, 209**
See application file for complete search history.

(56) **References Cited**

U.S. PATENT DOCUMENTS

D322,184 S * 12/1991 Prevedello et al. D6/436

D336,706 S * 6/1993 Lechman et al. D34/19
D370,328 S * 5/1996 Mathews et al. D34/19
D399,370 S * 10/1998 Crinion D6/436
D407,578 S * 4/1999 Crinion D6/436
D408,954 S * 4/1999 Geier et al. D34/19
D414,054 S * 9/1999 Hurd D6/436
D424,323 S * 5/2000 Sandy D6/422
D457,704 S * 5/2002 Fiscus et al. D34/19
D471,382 S * 3/2003 Jackson D6/470
6,663,200 B1 * 12/2003 James 312/140.2

* cited by examiner

Primary Examiner—Cathron C. Brooks

(74) *Attorney, Agent, or Firm*—Philip A. Swain

(57) **CLAIM**

The ornamental design for the mobile cabinet, as shown and described.

DESCRIPTION

FIG. 1 is a perspective view of our mobile cabinet; FIG. 2 is a top plan view of the mobile cabinet of FIG. 1; FIG. 3 is a front elevation view of the mobile cabinet of FIG. 1; and, FIG. 4 is a cross sectional view taken along line 4-4 of FIG. 3.

1 Claim, 4 Drawing Sheets

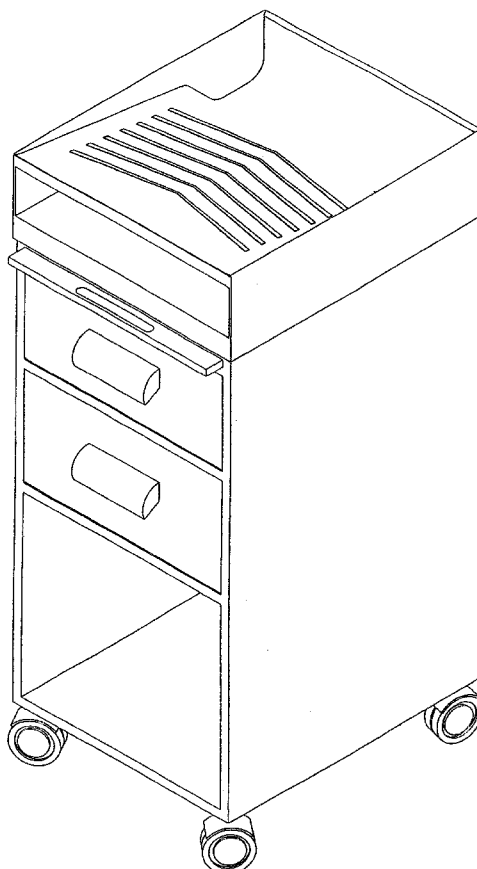


Fig. 1

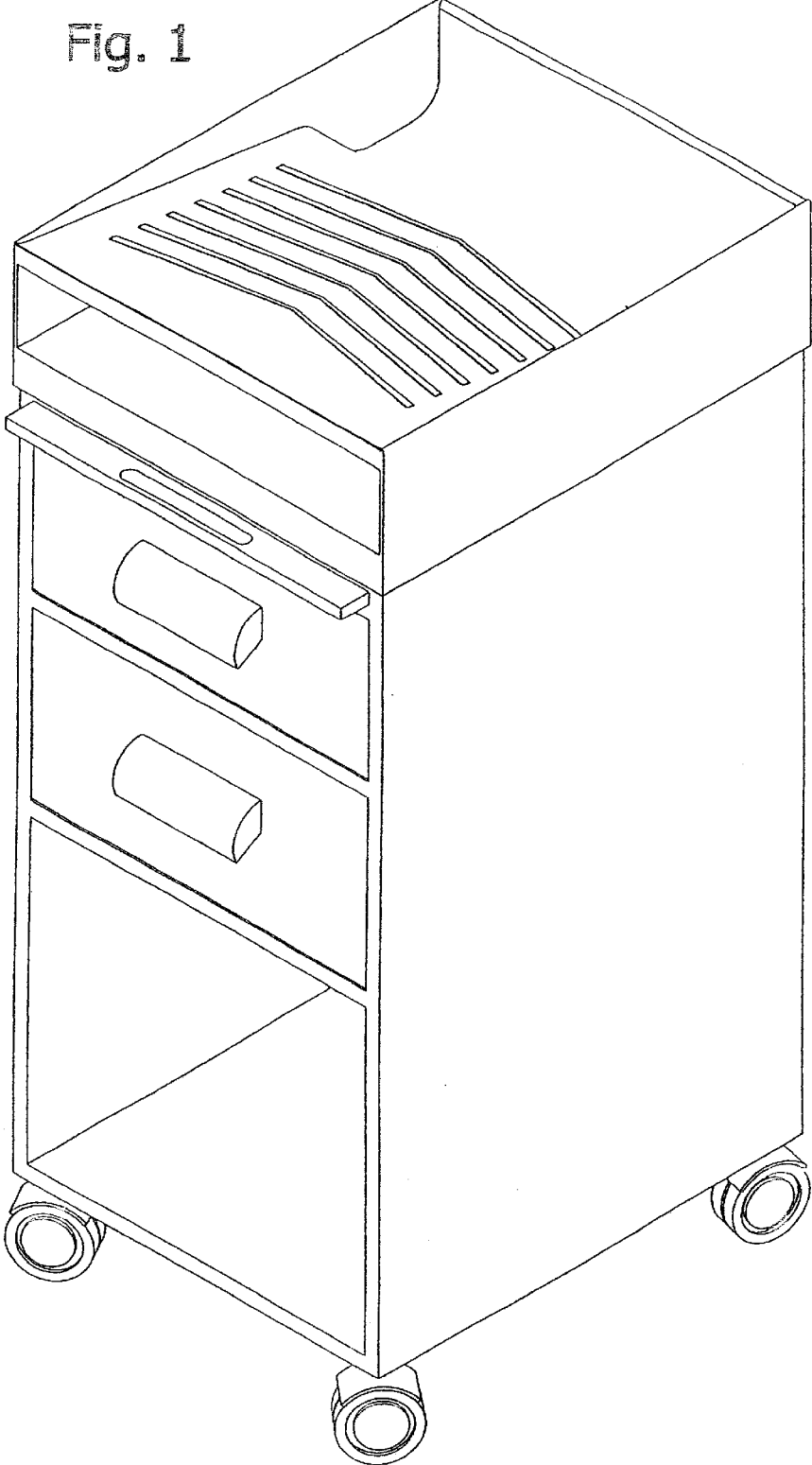


Fig. 2

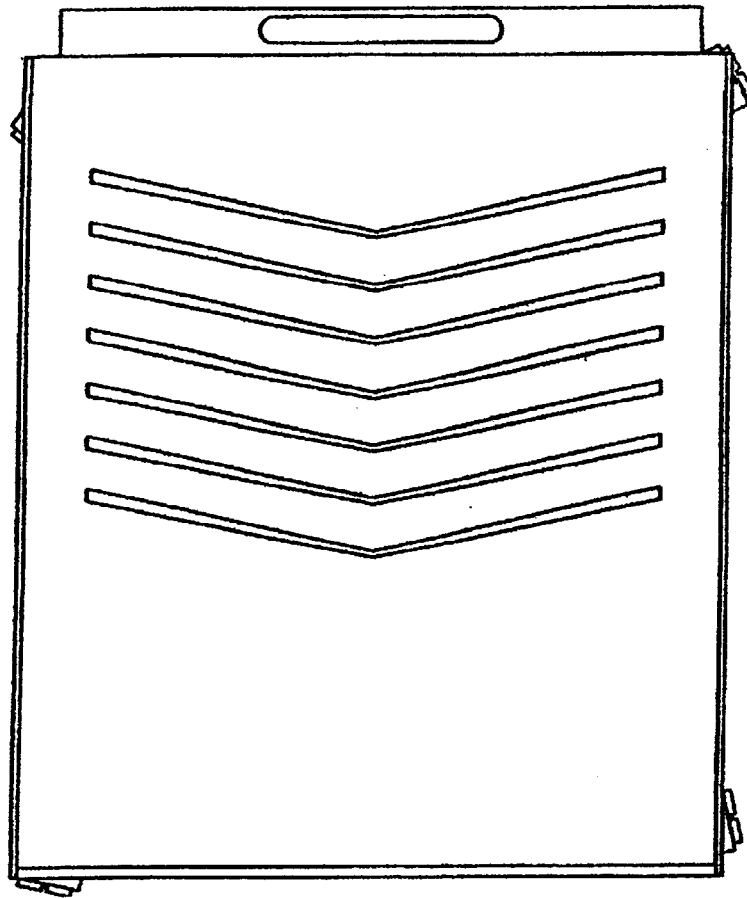


Fig. 3

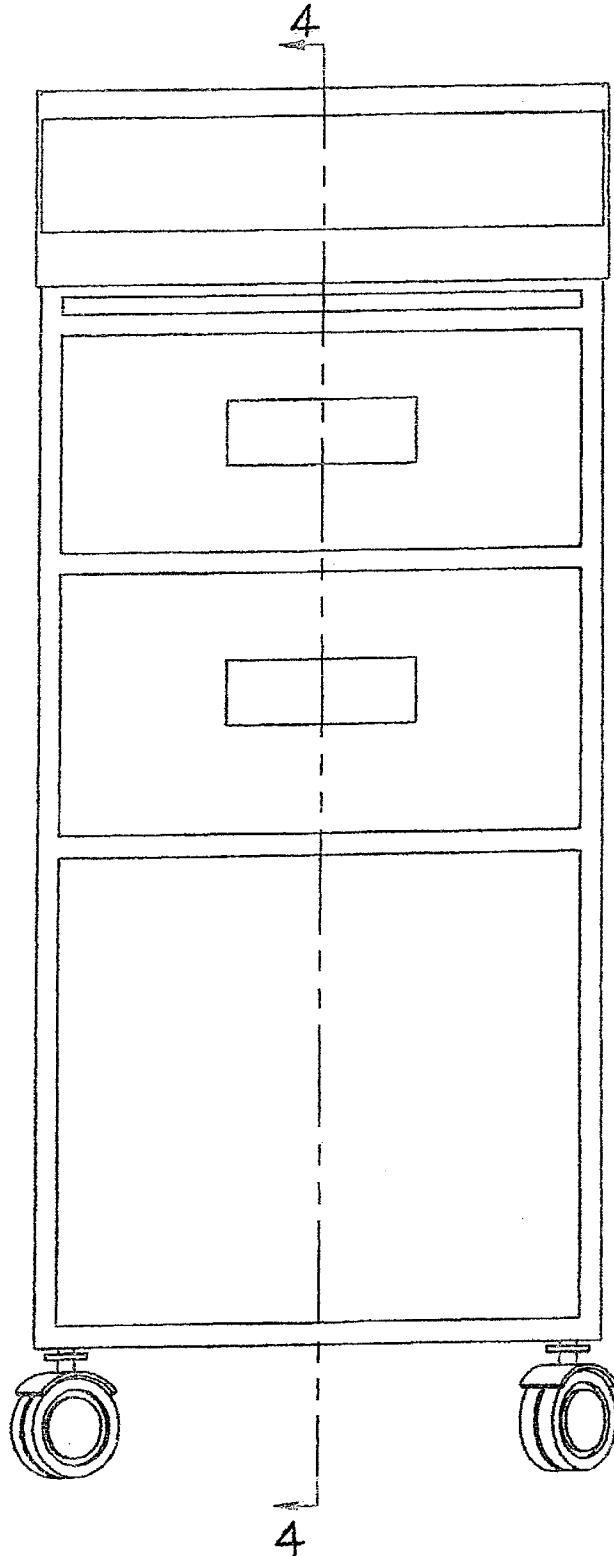


Fig. 4

