



US00D608945S

(12) **United States Design Patent**
Coleman et al.

(10) **Patent No.:** **US D608,945 S**

(45) **Date of Patent:** **** Jan. 26, 2010**

(54) **CLIPPER ORGANIZER**

(76) Inventors: **Ron Coleman**, 10823 Moonlit
Meadows, Houston, TX (US) 77065;
Ronnie Watson, 17342 Turquoise
Stream Dr., Houston, TX (US) 77095

(**) Term: **14 Years**

(21) Appl. No.: **29/322,078**

(22) Filed: **Jul. 29, 2008**

(51) **LOC (9) Cl.** **28-03**

(52) **U.S. Cl.** **D28/9; D28/73; D6/467**

(58) **Field of Classification Search** D28/9,
D28/10, 73; D6/411, 466, 467, 406.6, 567;
211/60.1, 70.6; 206/351, 581

See application file for complete search history.

(56) **References Cited**

U.S. PATENT DOCUMENTS

2,903,138	A	*	9/1959	Brown	211/60.1
5,358,127	A	*	10/1994	Ennis	211/60.1
5,379,903	A	*	1/1995	Smith	132/289
D358,280	S	*	5/1995	LaFontaine	D6/467
D386,817	S	*	11/1997	Chesney	D28/73
D473,991	S	*	4/2003	Moon et al.	D6/567
D553,874	S	*	10/2007	Orlando	D6/411
D571,124	S	*	6/2008	Strause	D6/466

7,513,361	B1	*	4/2009	Mills, Jr.	206/351
7,536,789	B2	*	5/2009	Michel	30/233.5
2008/0289983	A1	*	11/2008	Barnett, Jr.	206/351

* cited by examiner

Primary Examiner—Jennifer Rivard

(74) *Attorney, Agent, or Firm*—John K. Buche; Scott D. Compton; Buche & Associates, P.C.

(57) **CLAIM**

The ornamental design for a clipper organizer, as shown and described.

DESCRIPTION

FIG. 1 is a perspective view of a clipper organizer showing our new design, with hair clippers depicted in dashed lines and being no part of the claimed design;

FIG. 2 is another perspective view of the clipper organizer;

FIG. 3 is a front elevational view of the clipper organizer;

FIG. 4 is a rear elevational view of the clipper organizer;

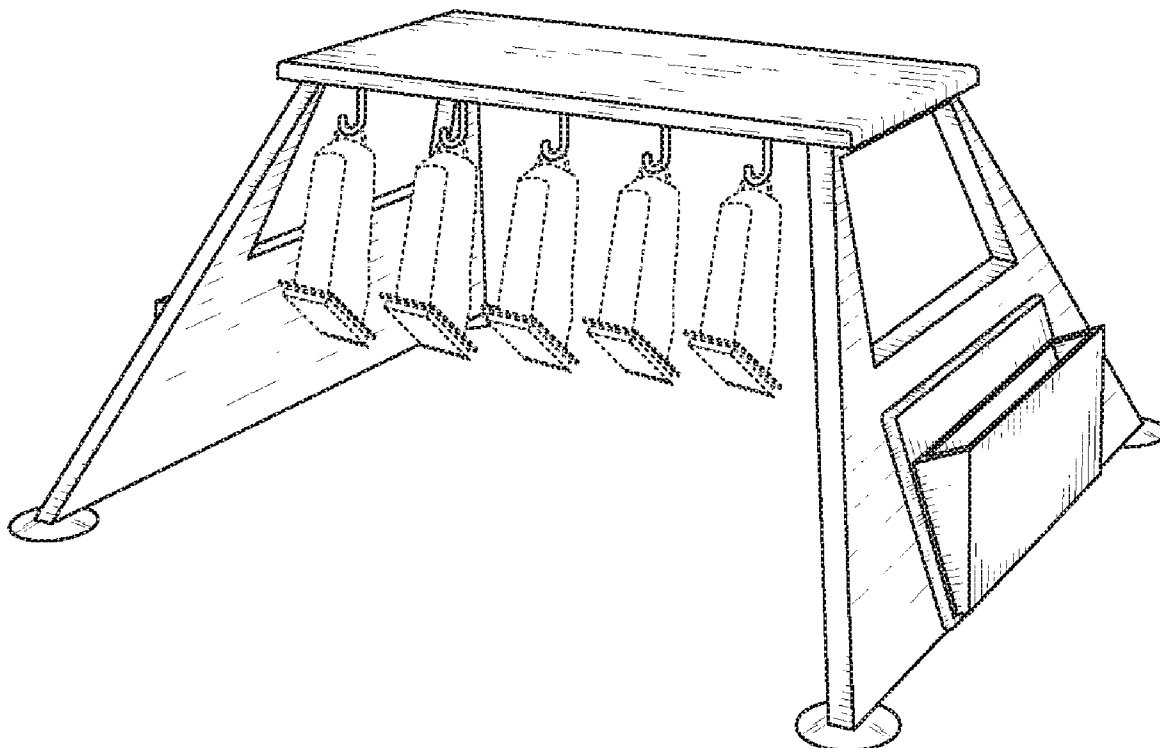
FIG. 5 is a left side elevational view of the clipper organizer;

FIG. 6 is a right side elevational view of the clipper organizer;

FIG. 7 is a top view of the clipper organizer; and,

FIG. 8 is a bottom view of the clipper organizer.

1 Claim, 5 Drawing Sheets



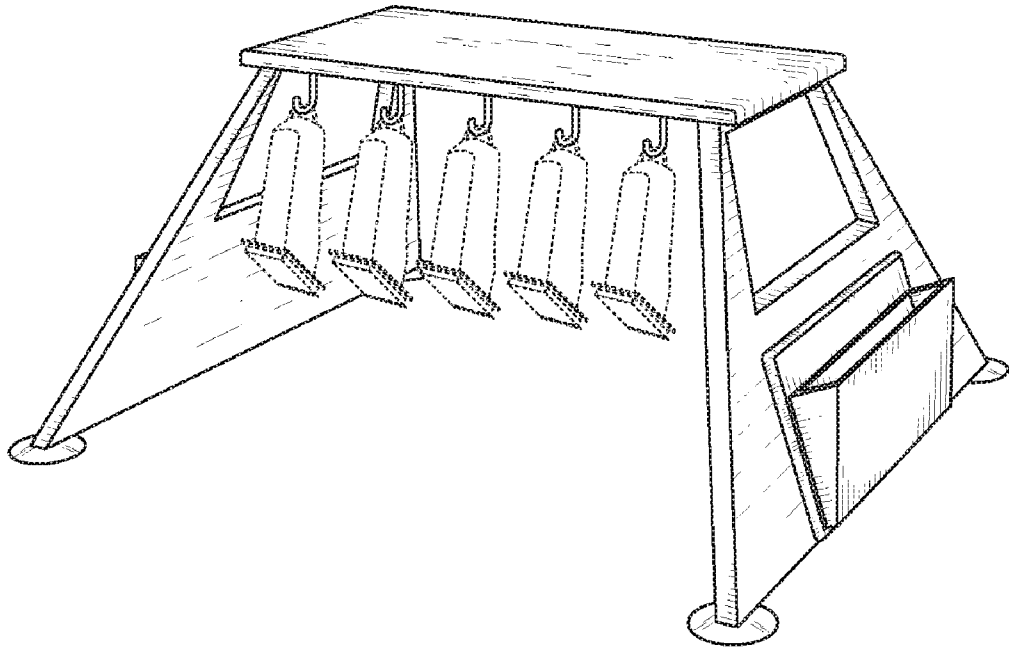


FIG. 1

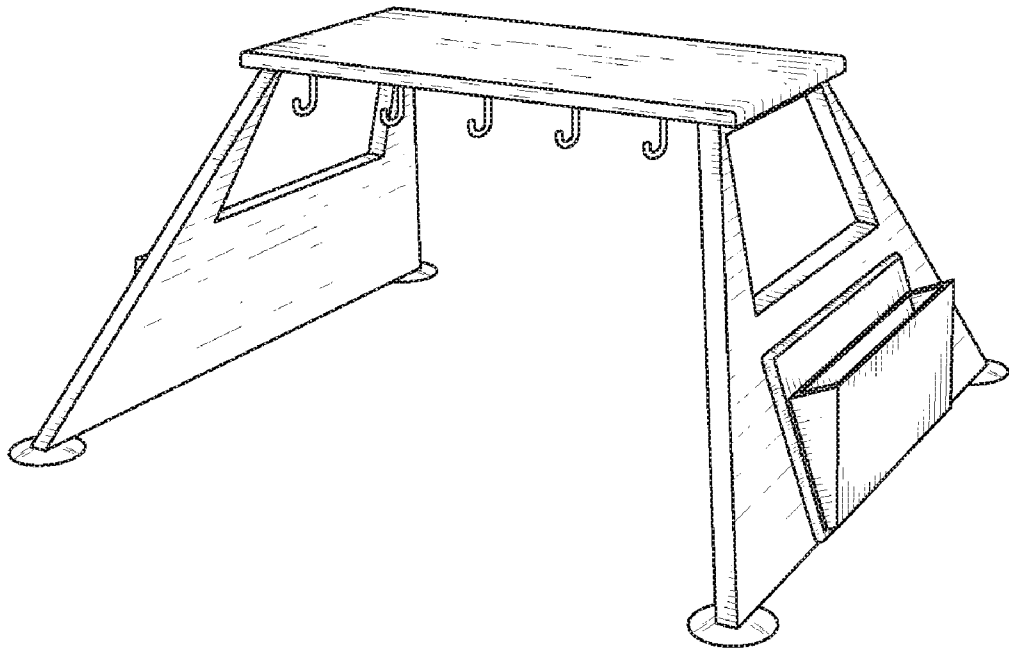


FIG. 2

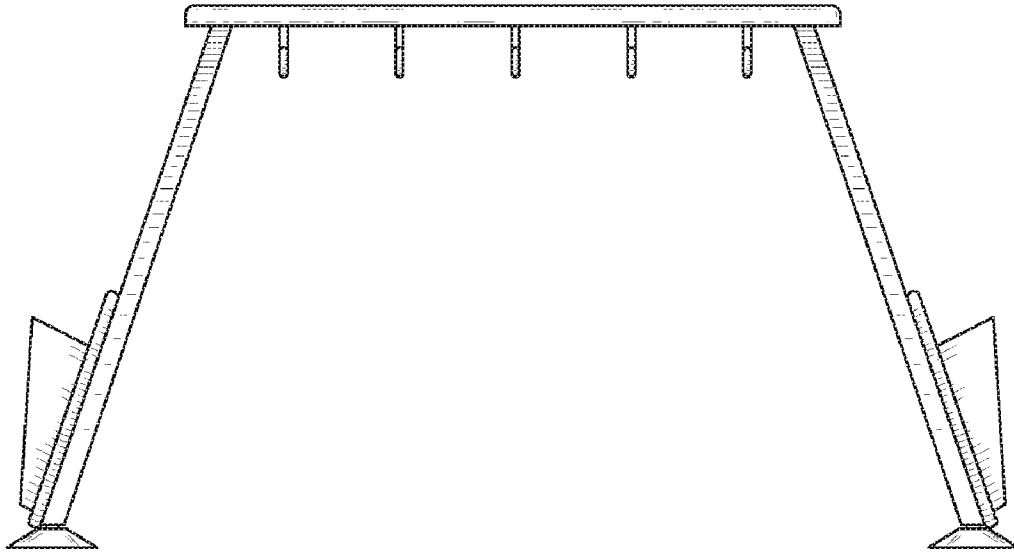


FIG. 3

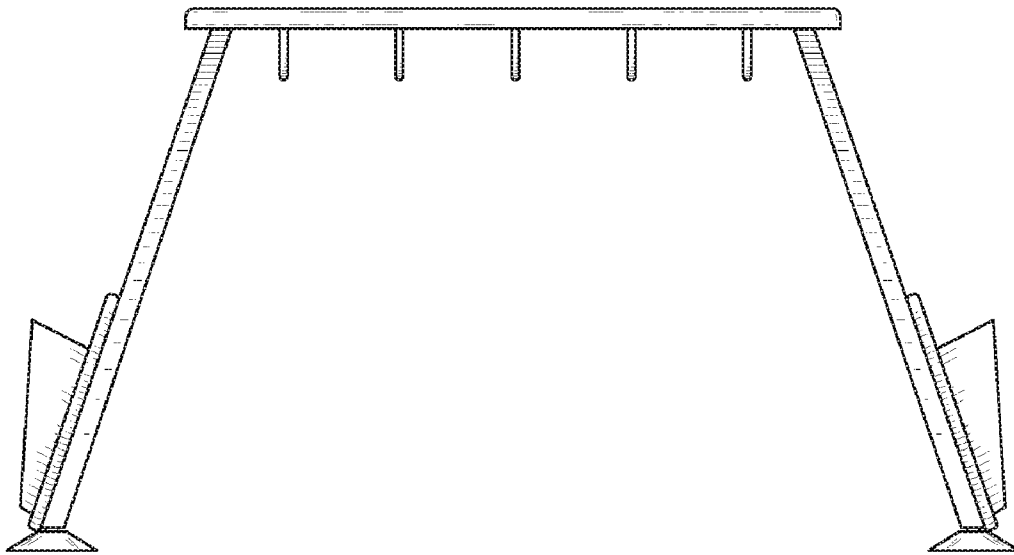


FIG. 4

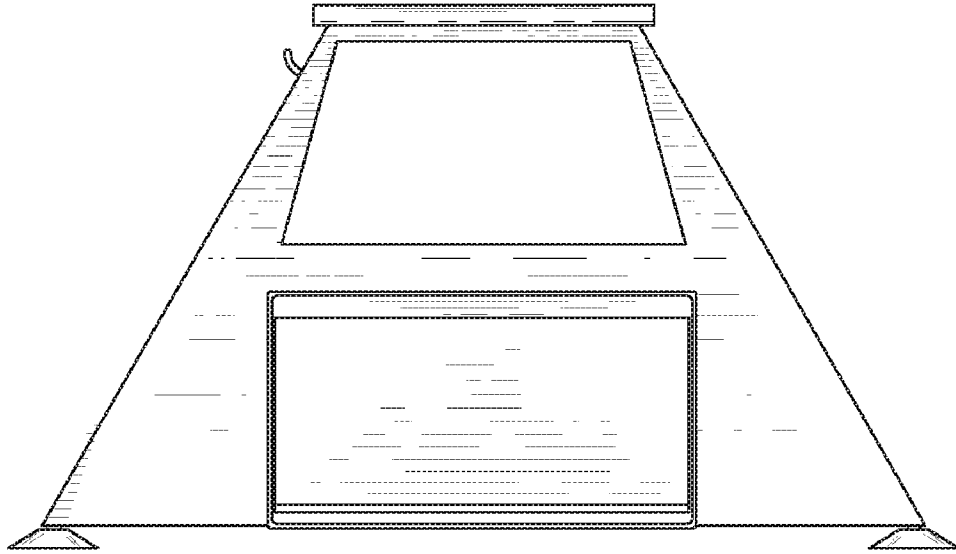


FIG. 5

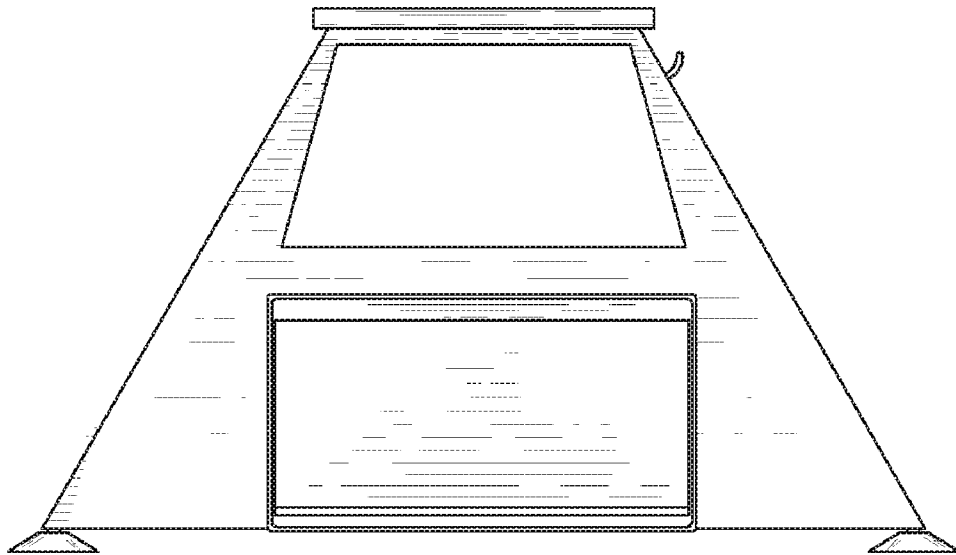


FIG. 6

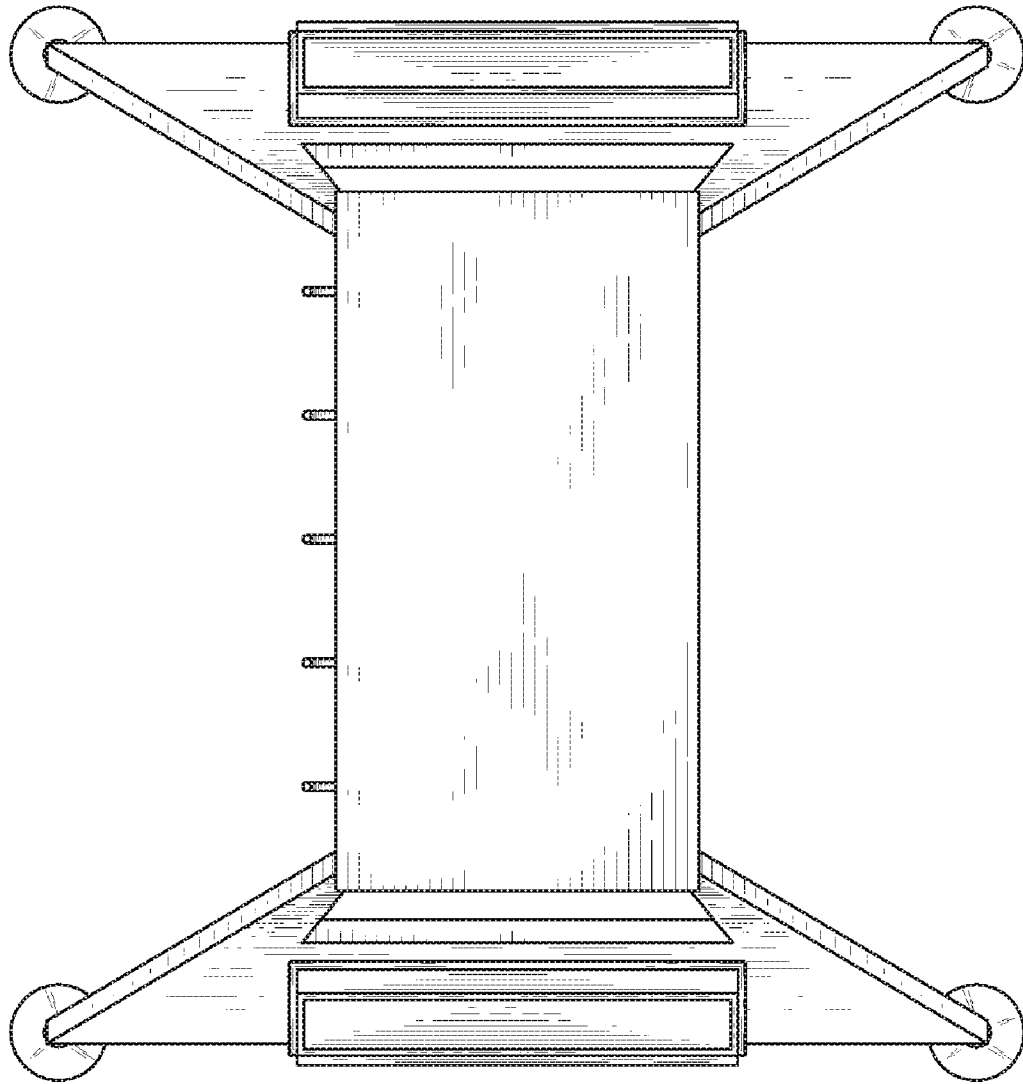


FIG. 7

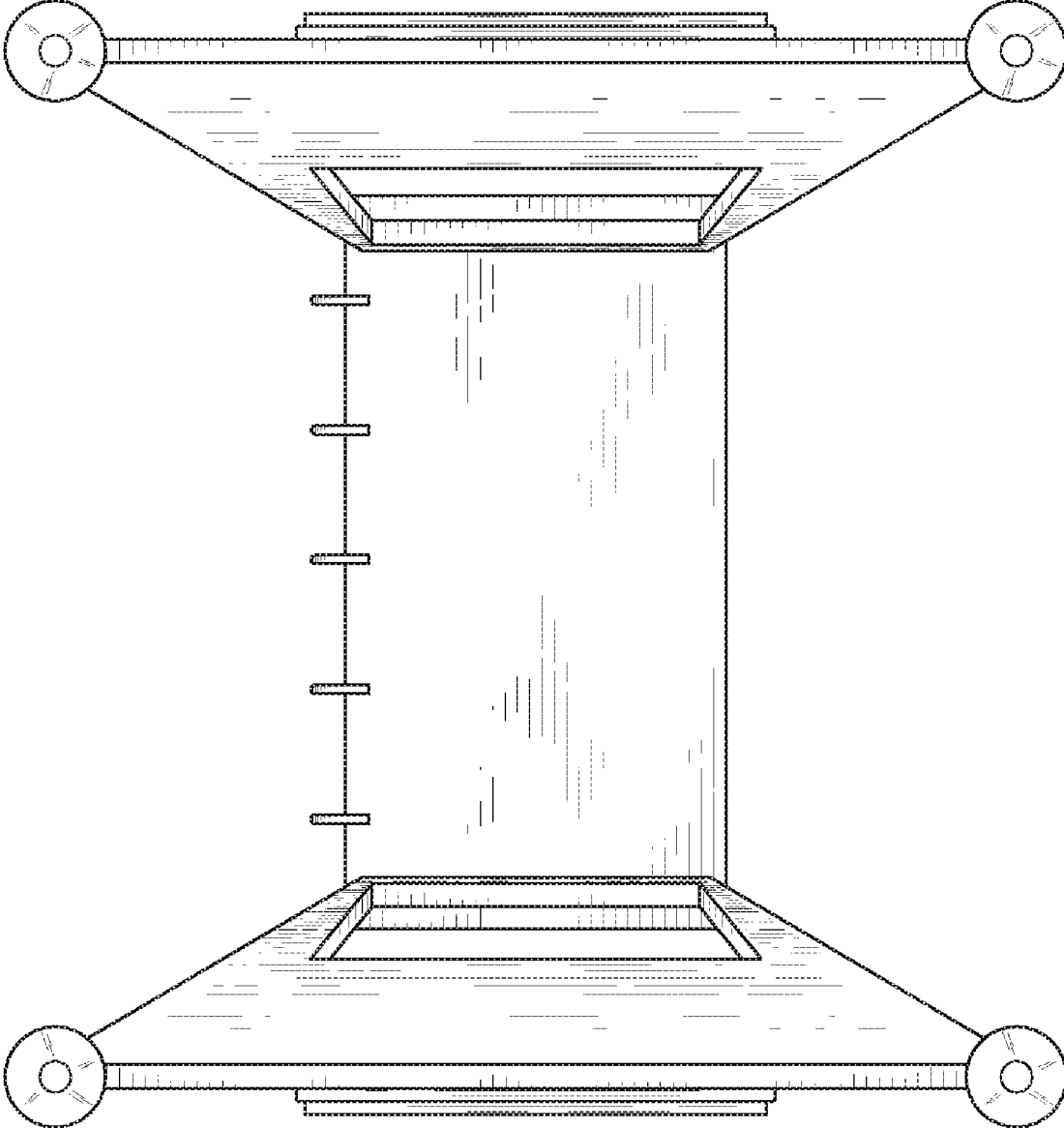


FIG. 8