

[54] ELECTRONIC TOY

[75] Inventor: Neal B. Shamis, Northbrook, Ill.

[73] Assignee: Stork Patrol, Inc., Northbrook, Ill.

[\*\*] Term: 14 Years

[21] Appl. No.: 372,947

[22] Filed: Jun. 28, 1989

[52] U.S. Cl. .... D21/48

[58] Field of Search ..... D21/48, 1, 13;  
273/85 G, 1 E, 1 ES, 1 GC, 148 B, 138 A;  
D13/158, 162, 168

[56] References Cited

U.S. PATENT DOCUMENTS

- D. 255,563 6/1980 Brooksby et al. .... D13/162 X
- D. 256,139 7/1980 Venditti et al. .... D21/1
- D. 264,356 5/1982 Nagel ..... D21/13
- D. 265,571 7/1982 Nagel ..... D21/13
- 4,418,917 12/1983 Jalali et al. .... 273/85 G X
- 4,978,129 12/1990 Komeda et al. .... 273/85 G X

OTHER PUBLICATIONS

Sears 1980 Catalog, front page, top center of the page.  
Sears Toys 1985, p. 494, top right of the page, Item No. 2.

Playthings, 2/1981, p. 12, Cosmos Item.

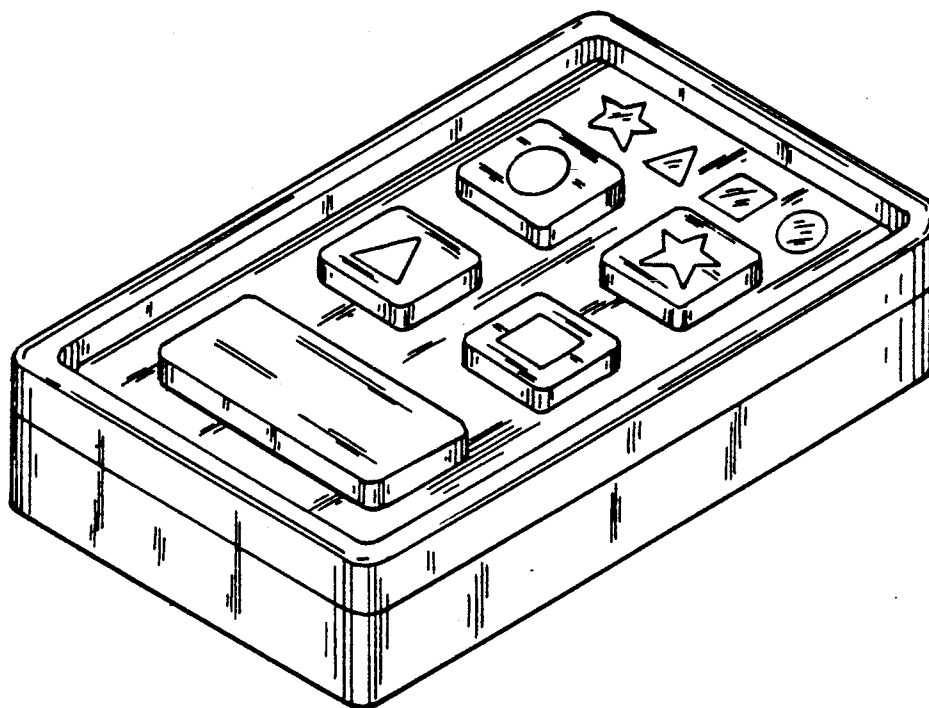
Primary Examiner—Bernard Ansher  
Assistant Examiner—Prabhakar Deshmukh  
Attorney, Agent, or Firm—Jerry A. Schulman

[57] CLAIM

The ornamental design for an electronic toy, as shown.

DESCRIPTION

FIG. 1 is a front elevation of an electronic toy showing my new design;  
FIG. 2 is a left side elevation thereof;  
FIG. 3 is a right side elevation thereof;  
FIG. 4 is a top plan view thereof;  
FIG. 5 is a bottom plan view thereof;  
FIG. 6 is a rear elevation thereof; and  
FIG. 7 is a perspective view thereof.



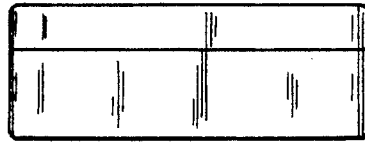


FIG. 4

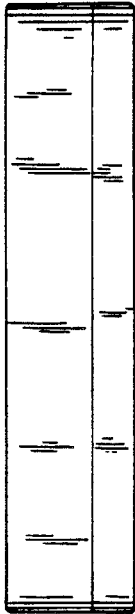


FIG. 2

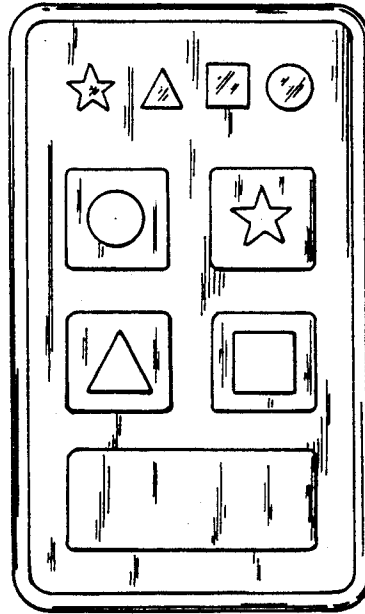


FIG. 1

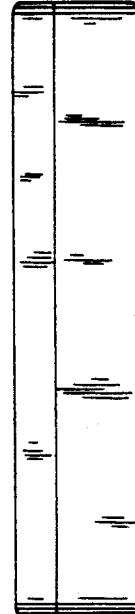


FIG. 3

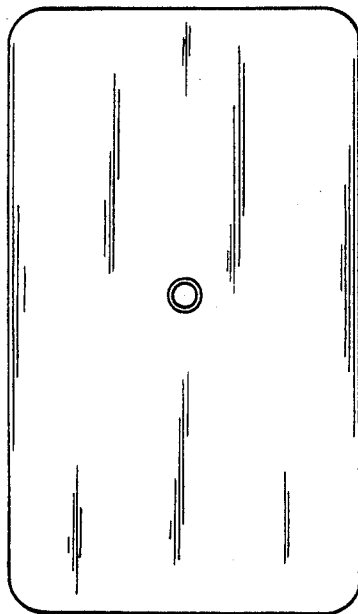


FIG. 6

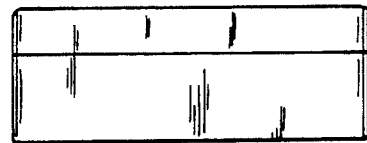


FIG. 5

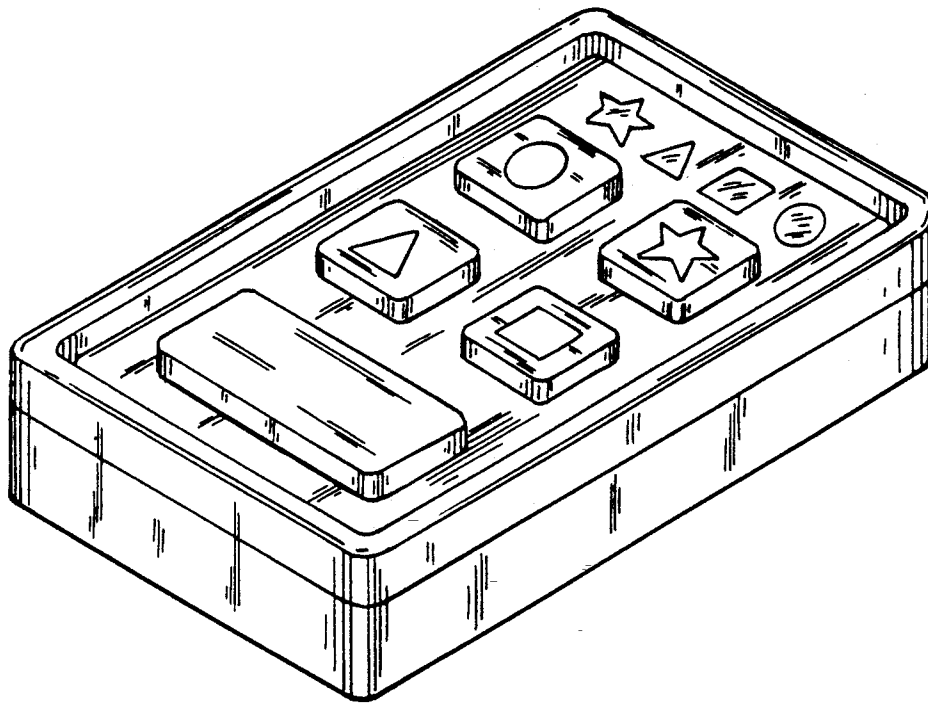


FIG. 7