



US00D433947S

United States Patent [19]
Ewing, Jr.

[11] **Patent Number: Des. 433,947**

[45] **Date of Patent: ** Nov. 21, 2000**

[54] **BOTTLE**

[75] Inventor: **Paul E Ewing, Jr.**, Monroe, Conn.

[73] Assignee: **Mott's Inc.**, Stamford, Conn.

[**] Term: **14 Years**

[21] Appl. No.: **29/113,909**

[22] Filed: **Nov. 12, 1999**

[51] **LOC (7) Cl.** **09-01**

[52] **U.S. Cl.** **D9/543**

[58] **Field of Search** D9/543, 540, 541,
D9/564, 565, 560, 530; 215/384, 382, 383

[56] **References Cited**

U.S. PATENT DOCUMENTS

D. 192,535	4/1962	Landano	D9/543
D. 198,405	6/1964	Recknagel	D9/543
D. 198,407	6/1964	Busch	D9/543
D. 258,117	2/1981	Bashour	D9/543
D. 262,267	12/1981	Cox	D9/543
D. 343,794	2/1994	D'Amico et al.	D9/530

Primary Examiner—Lucy Lieberman
Attorney, Agent, or Firm—Pennie & Edmonds LLP

[57] **CLAIM**

The ornamental design for a bottle, as shown and described.

DESCRIPTION

FIG. 1 is a rear and left side perspective view of a bottle showing my new design;

FIG. 2 is a right side elevation thereof;

FIG. 3 is a rear elevation thereof;

FIG. 4 is a partial cross section taken along line 4—4 in FIG. 2;

FIG. 5 is a rear and left side perspective view of a second embodiment of the bottle;

FIG. 6 is a right side elevation of the second embodiment;

FIG. 7 is a rear elevation of the second embodiment,

FIG. 8 is a partial cross section taken along line 8—8 in FIG. 6;

FIG. 9 is a top plan view of the second embodiment;

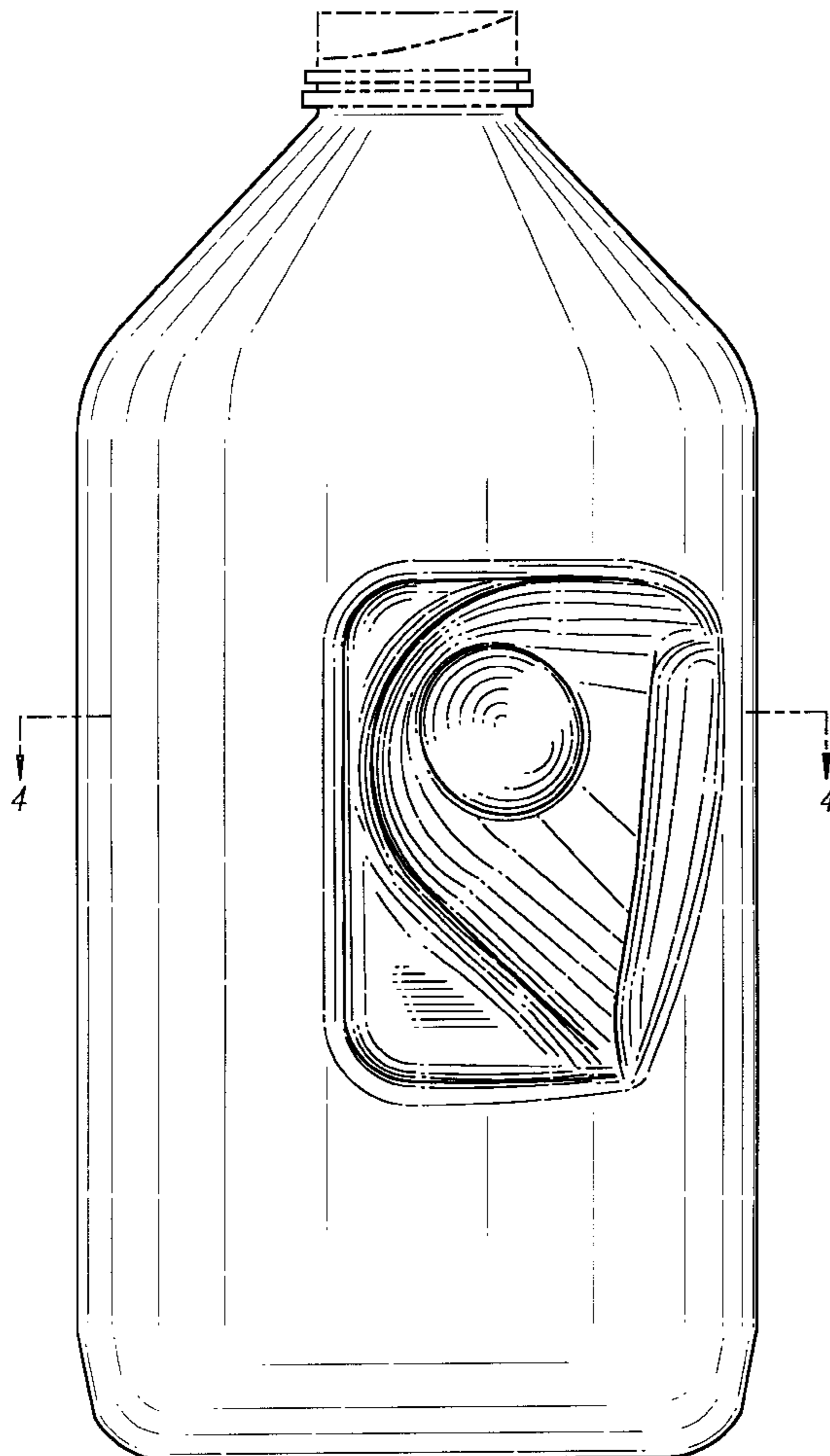
FIG. 10 is a bottom plan view of the second embodiment; and,

FIG. 11 is a front elevation of the second embodiment.

The top plan view, the bottom plan view and the front elevation of the first embodiment are the same as those shown for the second embodiment.

The broken lines showing the bottle neck are for illustrative purposes only and do not form part of the claimed design.

1 Claim, 10 Drawing Sheets



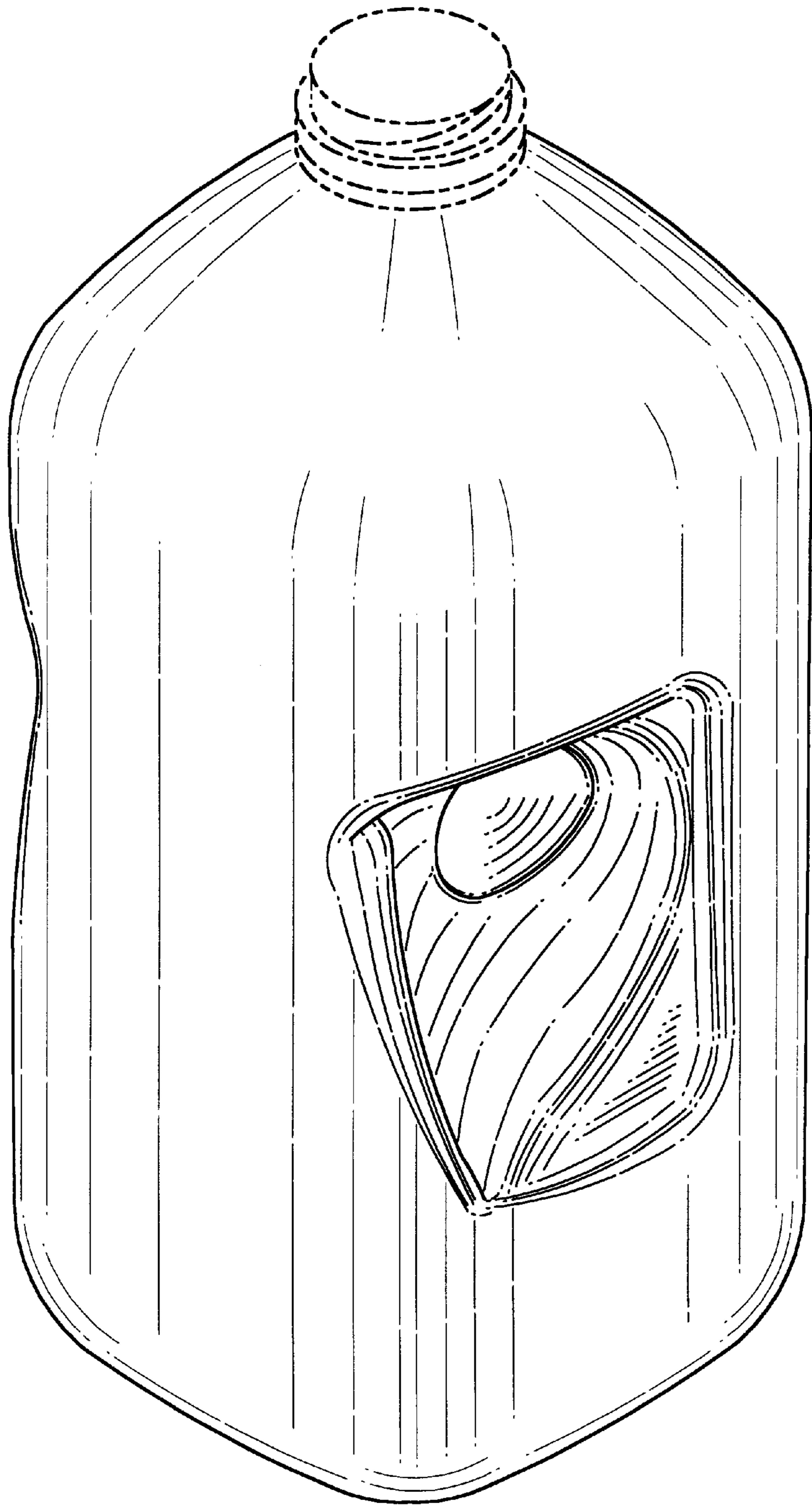


FIG. 1

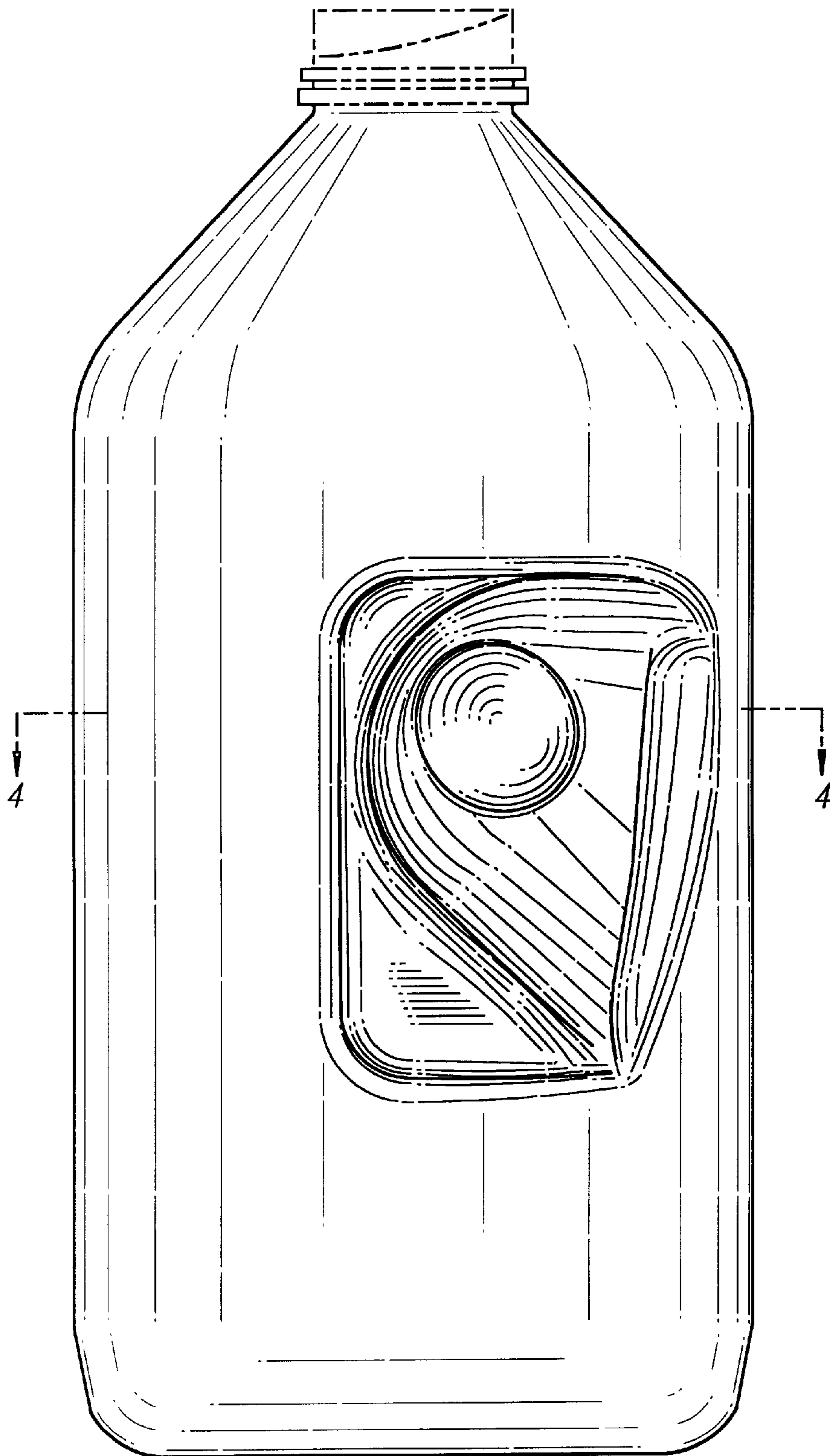


FIG. 2

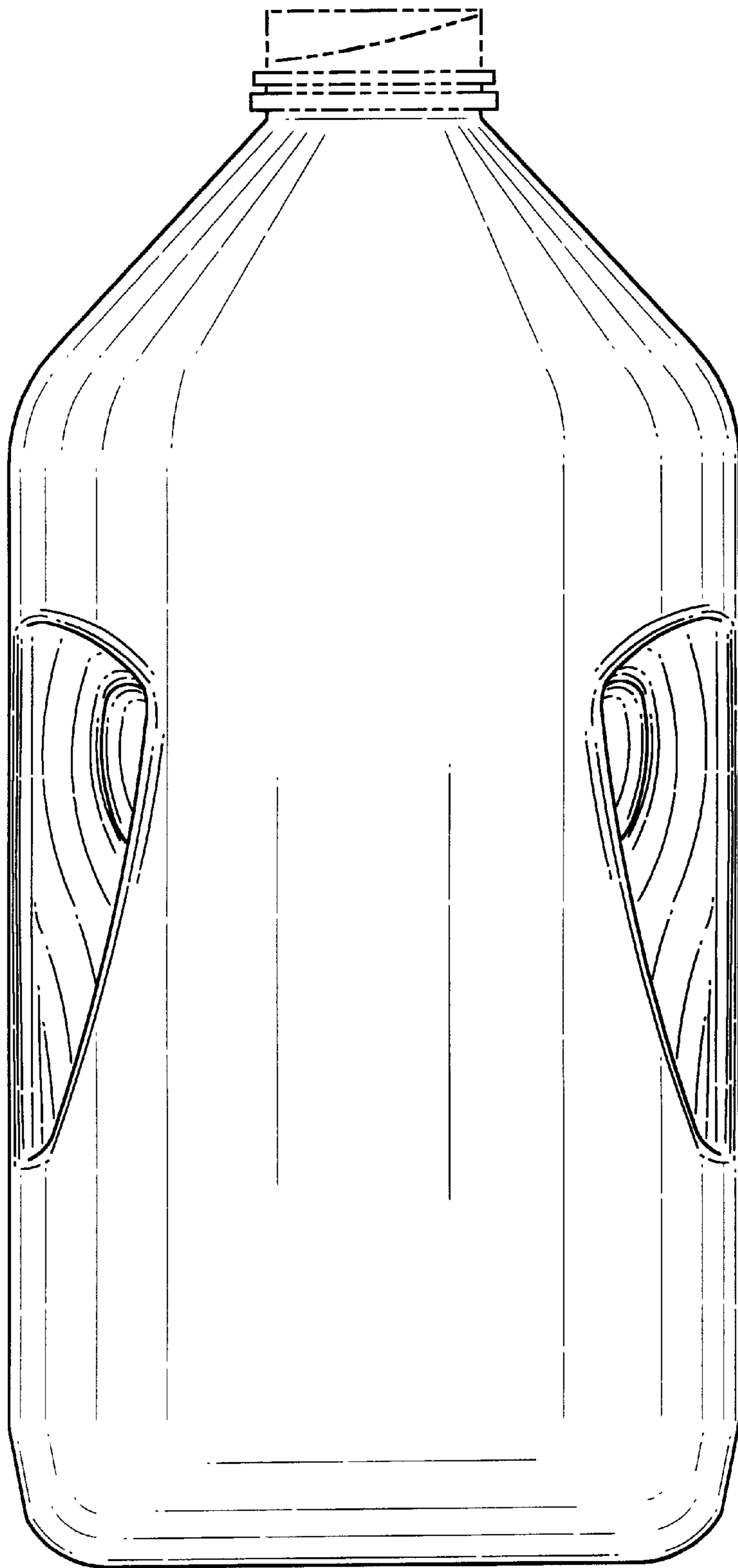


FIG. 3

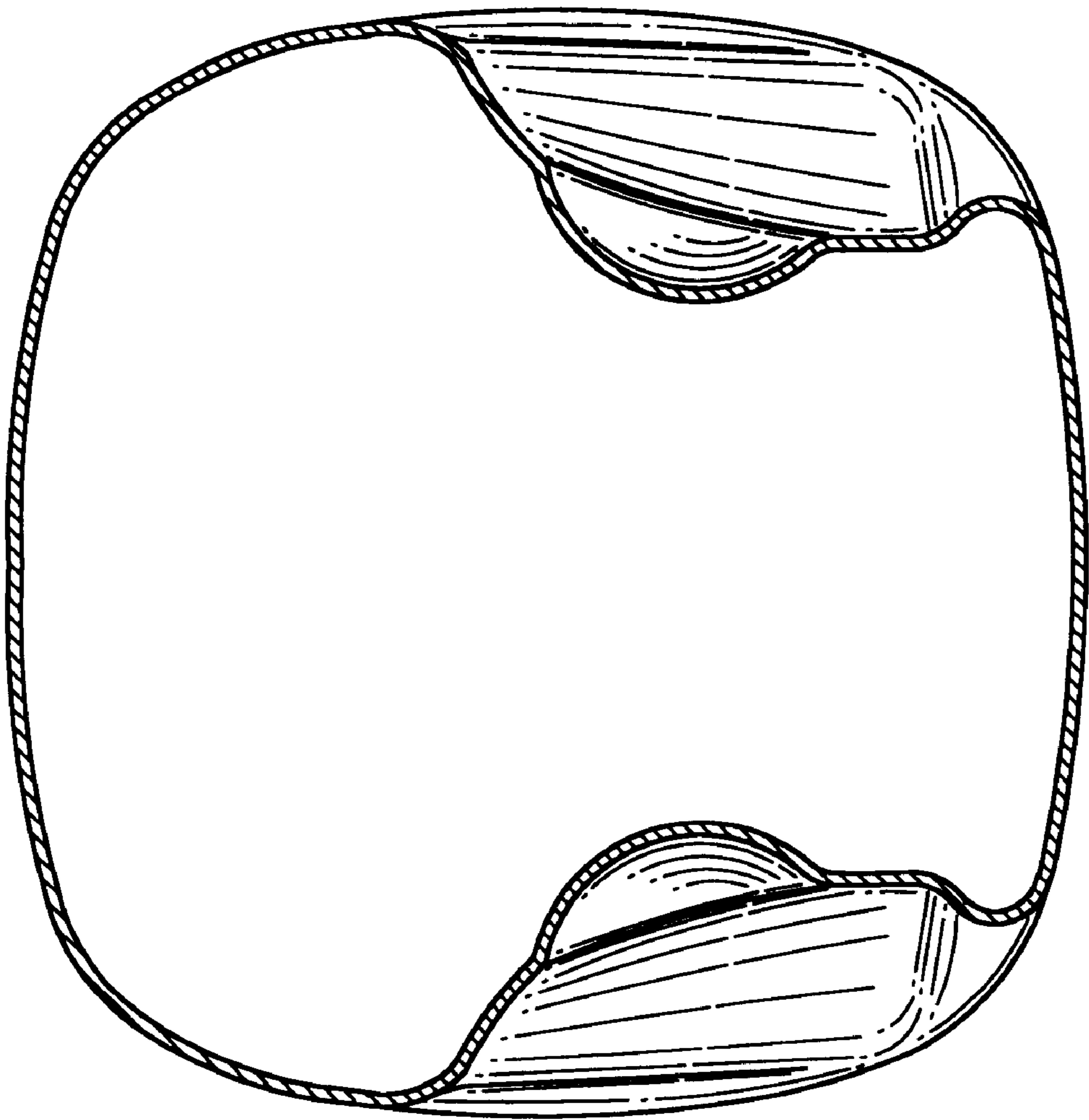


FIG. 4

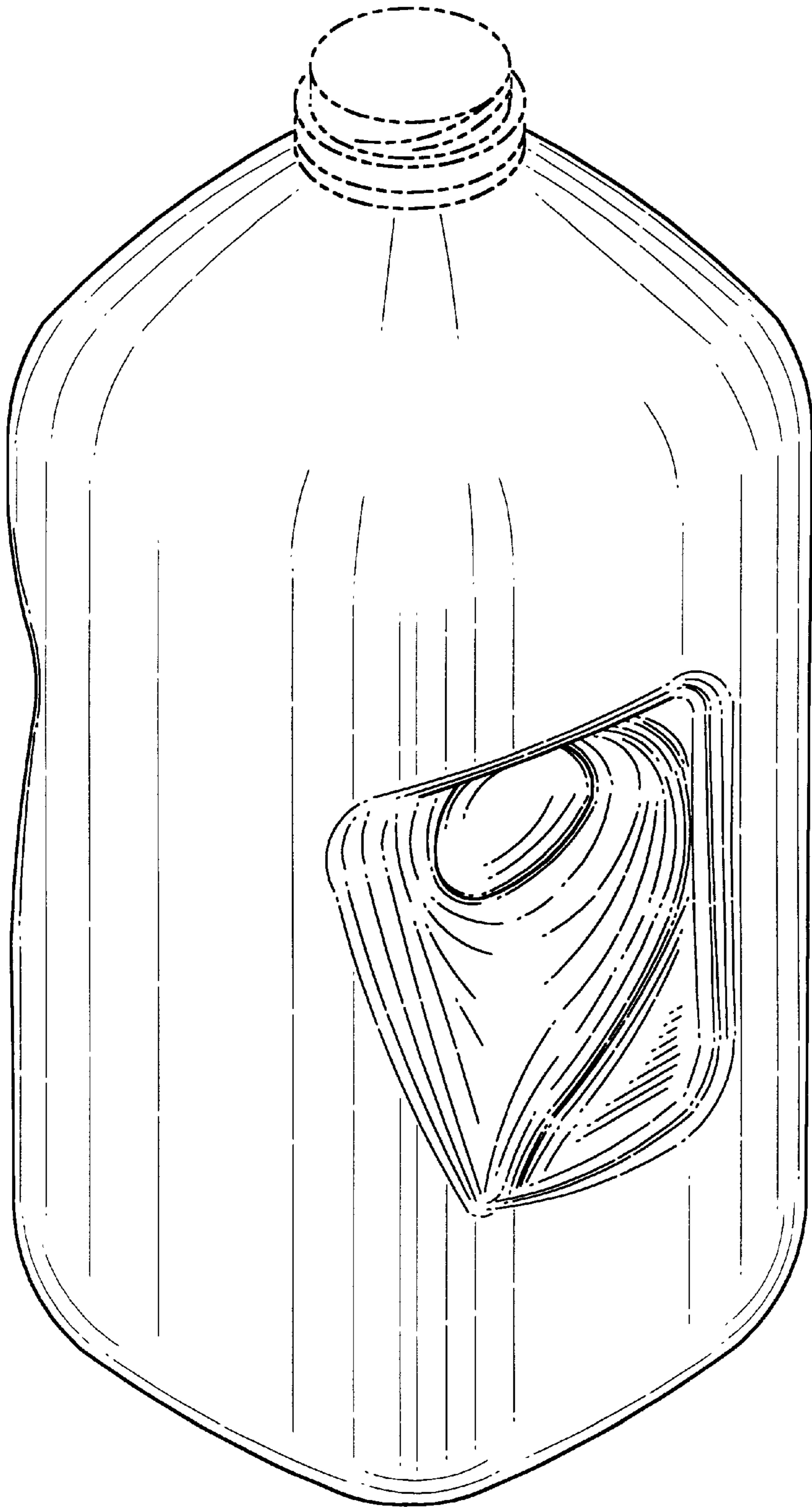


FIG. 5

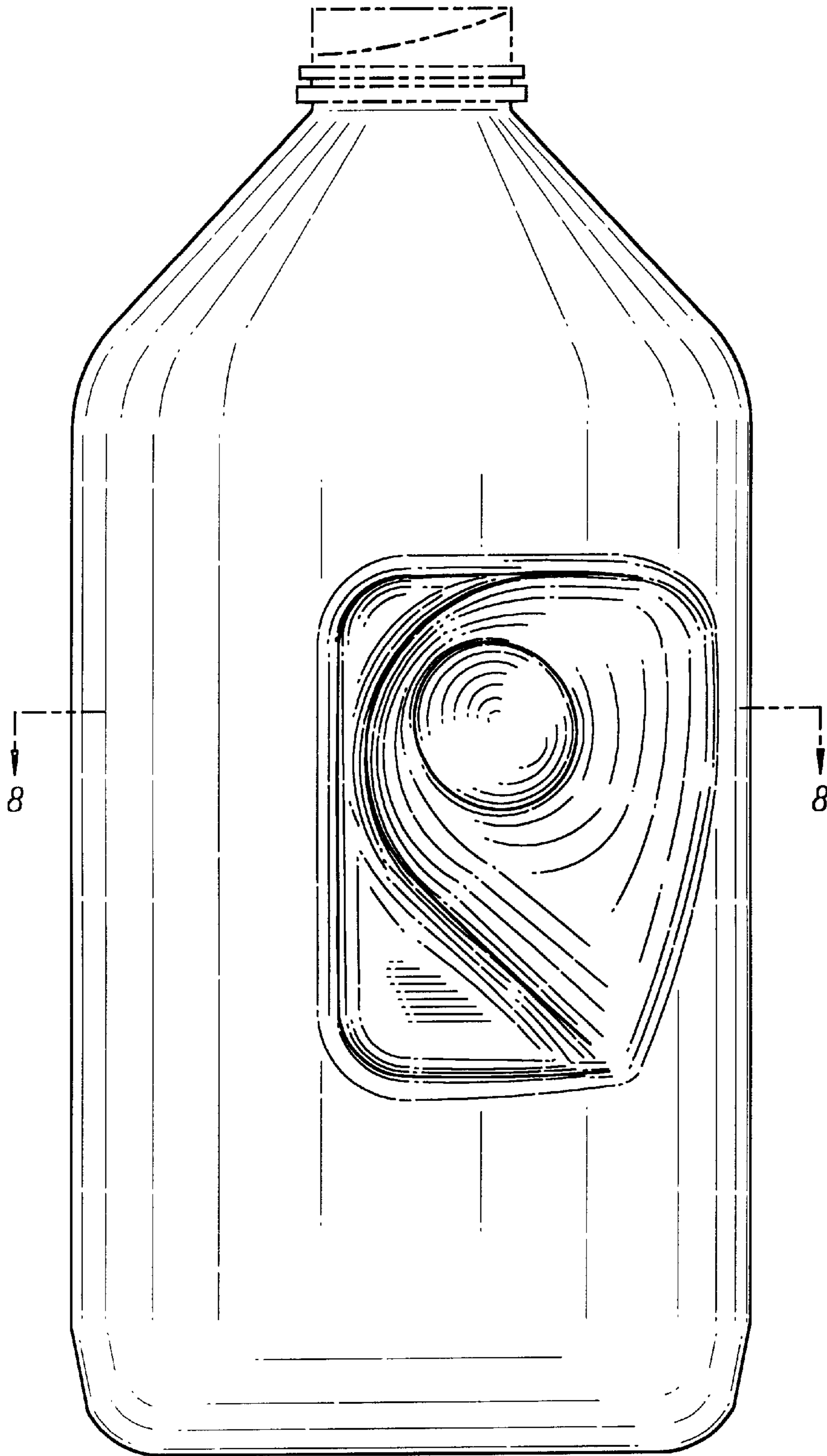


FIG. 6

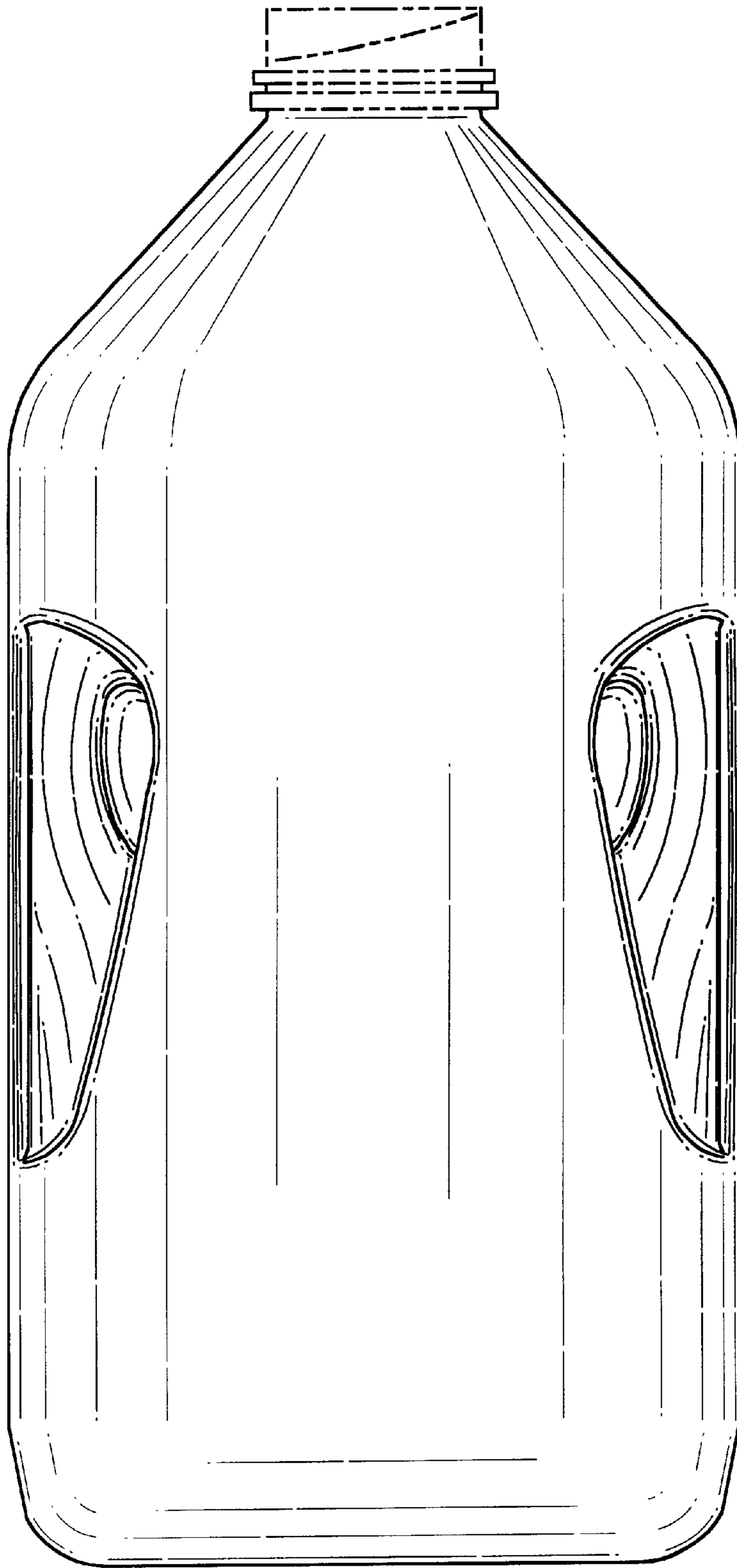


FIG. 7

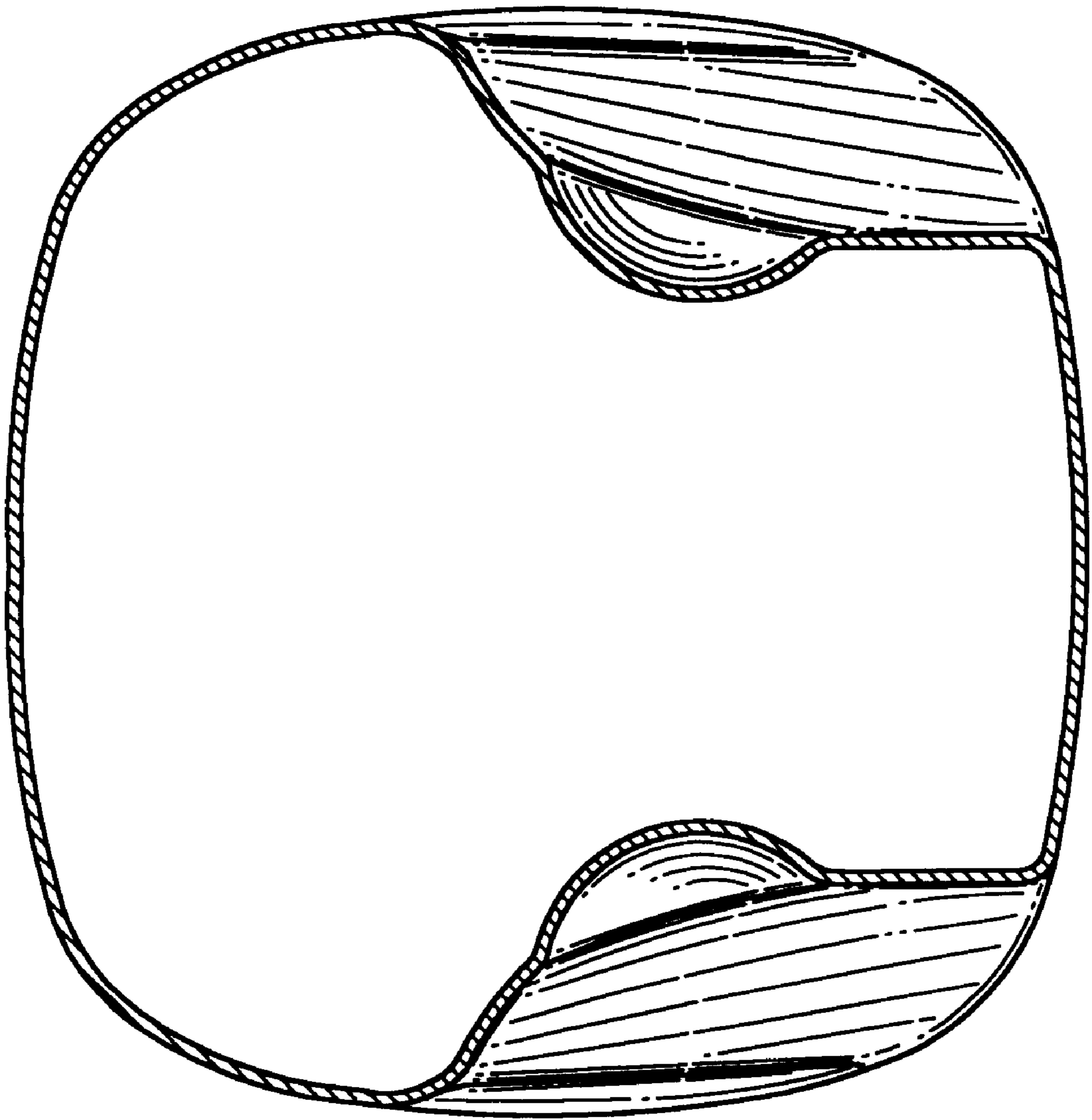


FIG. 8

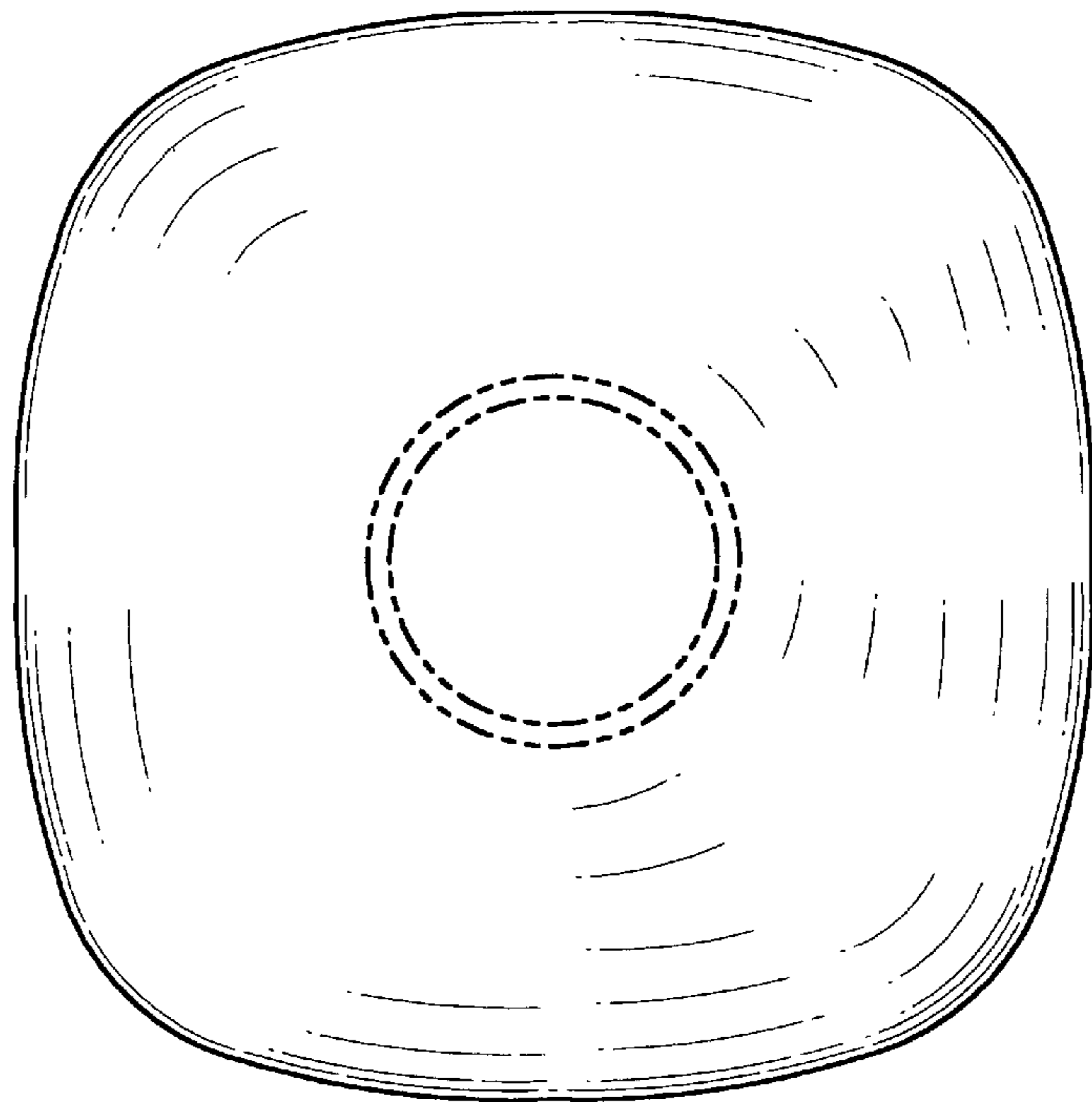


FIG. 9

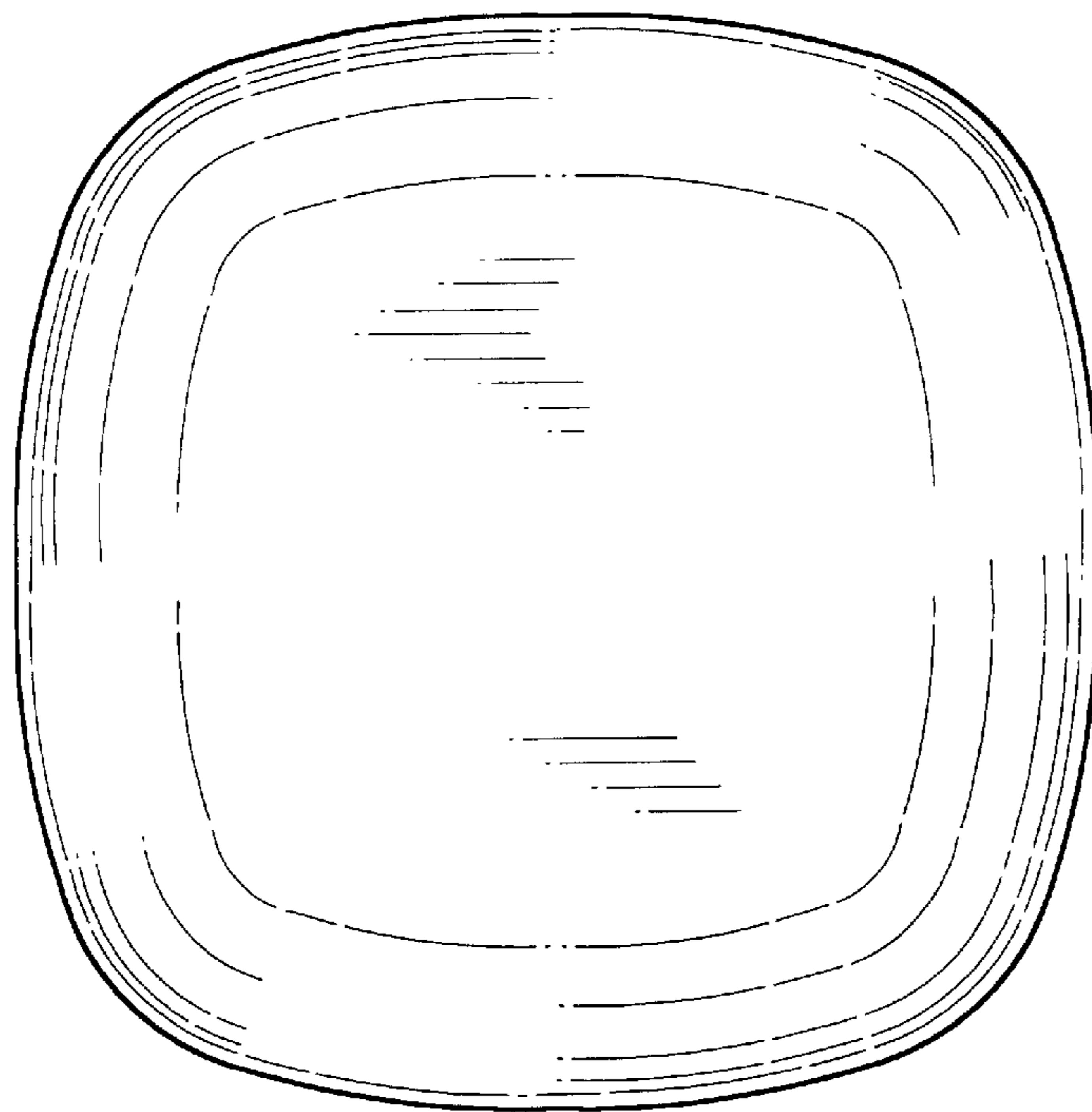


FIG. 10

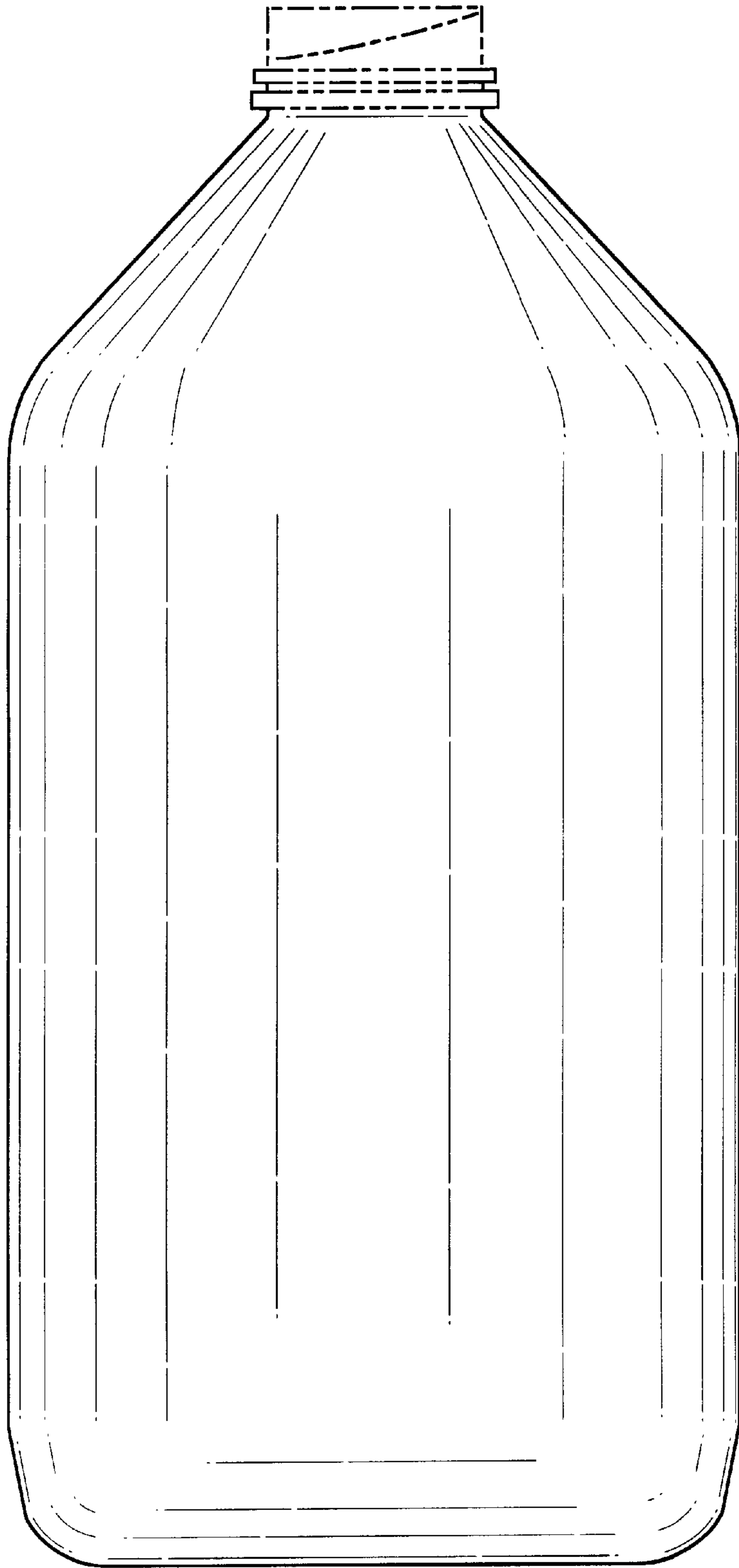


FIG. 11