



- (51) International Patent Classification:
H01R 9/11 (2006.01) H01R 9/22 (2006.01)
H01R 13/58 (2006.01)
- (21) International Application Number:
PCT/US2009/039524
- (22) International Filing Date:
3 April 2009 (03.04.2009)
- (25) Filing Language: English
- (26) Publication Language: English
- (30) Priority Data:
12/102,511 14 April 2008 (14.04.2008) US
- (71) Applicant (for all designated States except US): 3M INNOVATIVE PROPERTIES COMPANY [US/US]; 3m Center, Post Office Box 33427, Saint Paul, MN 55133-3427 (US).
- (72) Inventor: UMLAUF, Thomas, E.; 3m Center, Post Office Box 33427, Saint Paul, MN 55133-3427 (US).
- (74) Agents: GOVER, Melanie, G., et al.; 3m Center, Office Of Intellectual Property Counsel, Post Office Box 33427, Saint Paul, MN 55133-3427 (US).

- (81) Designated States (unless otherwise indicated, for every kind of national protection available): AE, AG, AL, AM, AO, AT, AU, AZ, BA, BB, BG, BH, BR, BW, BY, BZ, CA, CH, CN, CO, CR, CU, CZ, DE, DK, DM, DO, DZ, EC, EE, EG, ES, FI, GB, GD, GE, GH, GM, GT, HN, HR, HU, ID, IL, IN, IS, JP, KE, KG, KM, KN, KP, KR, KZ, LA, LC, LK, LR, LS, LT, LU, LY, MA, MD, ME, MG, MK, MN, MW, MX, MY, MZ, NA, NG, NI, NO, NZ, OM, PG, PH, PL, PT, RO, RS, RU, SC, SD, SE, SG, SK, SL, SM, ST, SV, SY, TJ, TM, TN, TR, TT, TZ, UA, UG, US, UZ, VC, VN, ZA, ZM, ZW.
- (84) Designated States (unless otherwise indicated, for every kind of regional protection available): ARIPO (BW, GH, GM, KE, LS, MW, MZ, NA, SD, SL, SZ, TZ, UG, ZM, ZW), Eurasian (AM, AZ, BY, KG, KZ, MD, RU, TJ, TM), European (AT, BE, BG, CH, CY, CZ, DE, DK, EE, ES, FI, FR, GB, GR, HR, HU, IE, IS, IT, LT, LU, LV, MC, MK, MT, NL, NO, PL, PT, RO, SE, SI, SK, TR), OAPI (BF, BJ, CF, CG, CI, CM, GA, GN, GQ, GW, ML, MR, NE, SN, TD, TG).

Declarations under Rule 4.17:

— as to applicant's entitlement to apply for and be granted a patent (Rule 4.17(ii))

[Continued on next page]

(54) Title: ELECTRICAL CONNECTOR

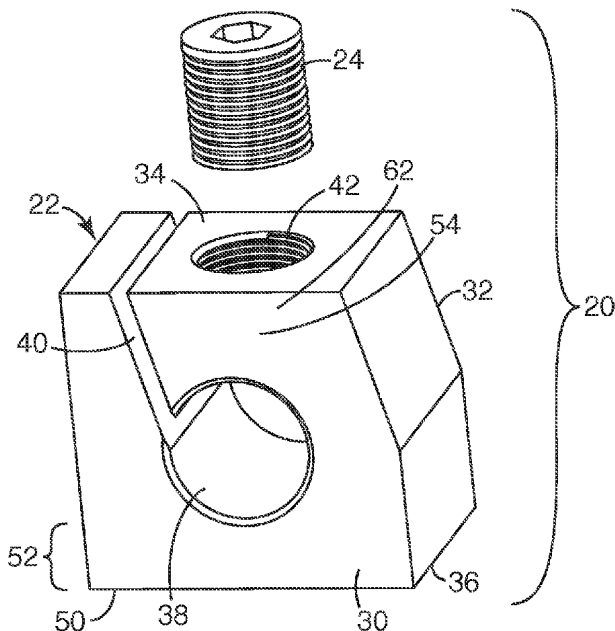


Fig. 1

(57) Abstract: An electrical connector configured to maintain an electrical connection with a conductor during heating and cooling cycles is provided. The electrical connector includes a base portion and an arm extending from the base portion. The arm and the base portion combine to define an opening configured to receive the conductor, and one of the arm and the base portion defines a bore communicating with the opening. A fastener inserted into the bore is configured to retain the conductor inserted into the opening, and the arm is configured to deflect to provide a spring force that secures the fastener against the conductor during the heating and cooling cycles.





— *as to the applicant's entitlement to claim the priority of the earlier application (Rule 4.17(iii))* — *before the expiration of the time limit for amending the claims and to be republished in the event of receipt of amendments (Rule 48.2(h))*

Published:

— *with international search report (Art. 21(3))*

(88) Date of publication of the international search report:
7 January 2010

A. CLASSIFICATION OF SUBJECT MATTER		
<i>H01R 9/11(2006.01)i, H01R 13/58(2006.01)i, H01R 9/22(2006.01)i</i>		
According to International Patent Classification (IPC) or to both national classification and IPC		
B. FIELDS SEARCHED		
Minimum documentation searched (classification system followed by classification symbols) IPC: H01R		
Documentation searched other than minimum documentation to the extent that such documents are included in the fields searched Korean Utility models and applications for Utility models since 1975 Japanese Utility models and applications for Utility models since 1975		
Electronic data base consulted during the international search (name of data base and, where practicable, search terms used) eKOMPASS(KIPO internal) & keywords: TERMINAL, BLOCK, DEFLECT*, ELASTIC* and EXPAN*		
C. DOCUMENTS CONSIDERED TO BE RELEVANT		
Category*	Citation of document, with indication, where appropriate, of the relevant passages	Relevant to claim No.
Y	US 4603376 A (ALFRED E. MAIER) 29 July 1986 (1986-07-29) See abstract, column 4, line 34 - column 8, line 68 and figures 1 - 8	1 - 10
Y	US 7097502 B2 (JOHN MICHAEL LANDIS et al.) 29 August 2006 (2006-08-29) See abstract, column 3, line 25 - column 5, line 58 and figures 1 - 3	1 - 10
Y A	US 7086896 B2 (DAVID L. EDWARDS et al.) 8 August 2006 (2006-08-08) See abstract, column 3, line 13 - column 5, line 20 and figures 3 - 7	1 - 7 8 - 10
A	KR 20-0420205 Y1 (NAMYOUNG) 29 June 2006 (2006-06-29) See abstract, page 3, line 19 - page 4, line 24 and figures 1 - 5	1 - 10
<input type="checkbox"/> Further documents are listed in the continuation of Box C. <input checked="" type="checkbox"/> See patent family annex.		
* Special categories of cited documents: "A" document defining the general state of the art which is not considered to be of particular relevance "E" earlier application or patent but published on or after the international filing date "L" document which may throw doubts on priority claim(s) or which is cited to establish the publication date of citation or other special reason (as specified) "O" document referring to an oral disclosure, use, exhibition or other means "P" document published prior to the international filing date but later than the priority date claimed		"T" later document published after the international filing date or priority date and not in conflict with the application but cited to understand the principle or theory underlying the invention "X" document of particular relevance; the claimed invention cannot be considered novel or cannot be considered to involve an inventive step when the document is taken alone "Y" document of particular relevance; the claimed invention cannot be considered to involve an inventive step when the document is combined with one or more other such documents, such combination being obvious to a person skilled in the art "&" document member of the same patent family
Date of the actual completion of the international search 20 NOVEMBER 2009 (20.11.2009)		Date of mailing of the international search report 20 NOVEMBER 2009 (20.11.2009)
Name and mailing address of the ISA/KR  Korean Intellectual Property Office Government Complex-Daejeon, 139 Seonsa-ro, Seo-gu, Daejeon 302-701, Republic of Korea Facsimile No. 82-42-472-7140		Authorized officer Hong, Young Uk Telephone No. 82-42-481-8465 

Patent document cited in search report	Publication date	Patent family member(s)	Publication date
US 4603376 A	29.07.1986	NONE	
US 7097502 B2	29.08.2006	US 2004-0229518 A1	18.11.2004
US 7086896 B2	08.08.2006	US 2006-0094296 A1	04.05.2006
KR 20-0420205 Y1	29.06.2006	NONE	