



- (51) International Patent Classification:
F21V 8/00 (2006.01) F21V 29/00 (2006.01)
- (21) International Application Number:
PCT/US2012/032401
- (22) International Filing Date:
5 April 2012 (05.04.2012)
- (25) Filing Language: English
- (26) Publication Language: English
- (30) Priority Data:
61/483,431 6 May 2011 (06.05.2011) US
- (71) Applicant (for all designated States except US): **RAMBUS INC.** [US/US]; 1050 Enterprise Way, Suite 700, Sunnyvale, California 94089 (US).
- (72) Inventors; and
- (75) Inventors/Applicants (for US only): **PARKER, Jeffery R.** [US/US]; 1050 Enterprise Way, Suite 700, Sunnyvale, California 94089 (US). **MCCOLLUM, Timothy A.** [US/US]; 1050 Enterprise Way, Suite 700, Sunnyvale, California 94089 (US). **LIGAS, Martin E.** [US/US]; 1050 Enterprise Way, Suite 700, Sunnyvale, California 94089 (US). **CROOKSTON, Joseph** [US/US]; 1050 Enterprise

Way, Suite 700, Sunnyvale, California 94089 (US). **HIDE, Fumitomo** [JP/US]; 1050 Enterprise Way, Suite 700, Sunnyvale, California 94089 (US). **TITOV, Alexey** [US/US]; 1050 Enterprise Way, Suite 700, Sunnyvale, California 94089 (US). **HARDCASTLE, Ian** [US/US]; 1050 Enterprise Way, Suite 700, Sunnyvale, California 94089 (US).

(74) Agent: **GALIN, M. David**; Renner, Otto, Boisselle & Sklar, LLP, Nineteenth Floor, 1621 Euclid Avenue, Cleveland, Ohio 44115 (US).

(81) Designated States (unless otherwise indicated, for every kind of national protection available): AE, AG, AL, AM, AO, AT, AU, AZ, BA, BB, BG, BH, BR, BW, BY, BZ, CA, CH, CL, CN, CO, CR, CU, CZ, DE, DK, DM, DO, DZ, EC, EE, EG, ES, FI, GB, GD, GE, GH, GM, GT, HN, HR, HU, ID, IL, IN, IS, JP, KE, KG, KM, KN, KP, KR, KZ, LA, LC, LK, LR, LS, LT, LU, LY, MA, MD, ME, MG, MK, MN, MW, MX, MY, MZ, NA, NG, NI, NO, NZ, OM, PE, PG, PH, PL, PT, QA, RO, RS, RU, RW, SC, SD, SE, SG, SK, SL, SM, ST, SV, SY, TH, TJ, TM, TN, TR, TT, TZ, UA, UG, US, UZ, VC, VN, ZA, ZM, ZW.

(84) Designated States (unless otherwise indicated, for every kind of regional protection available): ARIPO (BW, GH,

[Continued on next page]

(54) Title: LIGHTING ASSEMBLY

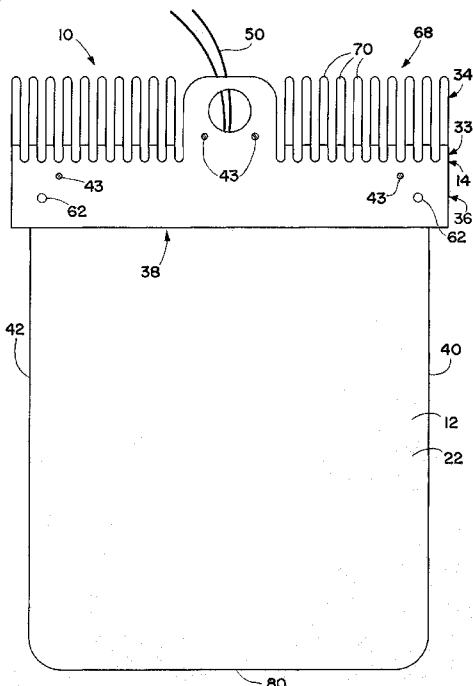


FIG. 1

(57) Abstract: A lighting assembly includes a light guide having opposed major surfaces between which light propagates by total internal reflection and a light input edge. The light assembly also includes a light engine. The light engine has a heat conductive armature having a receptacle for a portion of the light guide that includes the light input edge and a light source retained by and thermally coupled to the armature. The armature functions as a heat sink for dissipating heat generated by the light source. The light guide is mechanically retained in the receptacle, and the light guide and the armature cooperate to align the light input edge with the light source for inputting light from the light source into the light guide through the light input edge.





GM, KE, LR, LS, MW, MZ, NA, RW, SD, SL, SZ, TZ, UG, ZM, ZW), Eurasian (AM, AZ, BY, KG, KZ, MD, RU, TJ, TM), European (AL, AT, BE, BG, CH, CY, CZ, DE, DK, EE, ES, FI, FR, GB, GR, HR, HU, IE, IS, IT, LT, LU, LV, MC, MK, MT, NL, NO, PL, PT, RO, RS, SE, SI, SK, SM, TR), OAPI (BF, BJ, CF, CG, CI, CM, GA, GN, GQ, GW, ML, MR, NE, SN, TD, TG).

— *before the expiration of the time limit for amending the claims and to be republished in the event of receipt of amendments (Rule 48.2(h))*

(88) Date of publication of the international search report:
21 March 2013

Published:

— *with international search report (Art. 21(3))*

A. CLASSIFICATION OF SUBJECT MATTER*F21V 8/00(2006.01)i, F21V 29/00(2006.01)i*

According to International Patent Classification (IPC) or to both national classification and IPC

B. FIELDS SEARCHED

Minimum documentation searched (classification system followed by classification symbols)

F21V 8/00; F21V 33/00; F21V 29/00; F21V 1/00; F21S 6/00; H01L 33/00; G02B 6/00

Documentation searched other than minimum documentation to the extent that such documents are included in the fields searched

Korean utility models and applications for utility models

Japanese utility models and applications for utility models

Electronic data base consulted during the international search (name of data base and, where practicable, search terms used)

eKOMPASS(KIPO internal) & Keywords: light guide, heat sink, light source

C. DOCUMENTS CONSIDERED TO BE RELEVANT

Category*	Citation of document, with indication, where appropriate, of the relevant passages	Relevant to claim No.
X	WO 2010-140103 A1 (KONINKLIJKE PHILIPS ELECTRONICS N.V. et al.) 09 December 2010 See abstract; page 3, line 32-page 4, line 3; claims 1,3,7-10; and figures 1-6.	1-4, 6, 7-8, 10-12, 23, 44
Y		15-18, 20, 25
A		5, 9, 13, 14, 19, 21, 22, 24, 26-43, 45-97
Y	US 2011-0032708 A1 (JOHNSTON RAYMOND P et al.) 10 February 2011 See abstract, paragraph [0041], and claim 4.	15-18, 20, 25
A		1-14, 19, 21-24, 26-97
A	US 2009-0034293 A1 (PARKER JEFFERY R.) 05 February 2009 See abstract, paragraphs [0057]-[0059], [0067]-[0069], and figures 5-51.	1-97
A	US 2010-0149802 A1 (CHANG JEN-TSORNG) 17 June 2010 See paragraphs [0027]-[0030], claim 1, and figures 1, 3-7.	1-97

 Further documents are listed in the continuation of Box C. See patent family annex.

* Special categories of cited documents:

"A" document defining the general state of the art which is not considered to be of particular relevance

"E" earlier application or patent but published on or after the international filing date

"L" document which may throw doubts on priority claim(s) or which is cited to establish the publication date of citation or other special reason (as specified)

"O" document referring to an oral disclosure, use, exhibition or other means

"P" document published prior to the international filing date but later than the priority date claimed

"T" later document published after the international filing date or priority date and not in conflict with the application but cited to understand the principle or theory underlying the invention

"X" document of particular relevance; the claimed invention cannot be considered novel or cannot be considered to involve an inventive step when the document is taken alone

"Y" document of particular relevance; the claimed invention cannot be considered to involve an inventive step when the document is combined with one or more other such documents, such combination being obvious to a person skilled in the art

"&" document member of the same patent family

Date of the actual completion of the international search

22 JANUARY 2013 (22.01.2013)

Date of mailing of the international search report

23 JANUARY 2013 (23.01.2013)

Name and mailing address of the ISA/KR

Korean Intellectual Property Office
189 Cheongsu-ro, Seo-gu, Daejeon Metropolitan
City, 302-701, Republic of Korea

Facsimile No. 82-42-472-7140

Authorized officer

LEE, Seung Joo

Telephone No. 82-42-481-8186



INTERNATIONAL SEARCH REPORT

Information on patent family members

International application No.

PCT/US2012/032401

Patent document cited in search report	Publication date	Patent family member(s)	Publication date
WO 2010-140103 A1	09.12.2010	CA 2763961 A1	09.12.2010
		CN 102460009 A	16.05.2012
		EP 2438350 A1	11.04.2012
		US 2012-0212977 A1	23.08.2012
US 2011-0032708 A1	10.02.2011	CN 102483216 A	30.05.2012
		TW 201111697 A	01.04.2011
		WO 2011-017085 A2	10.02.2011
		WO 2011-017085 A3	10.02.2011
WO 2011-017085 A3	19.05.2011		
US 2009-0034293 A1	05.02.2009	AU 2000-34993 A1	14.09.2000
		AU 2002-359472 A1	23.06.2003
		AU 2003-269897 A1	03.06.2004
		CA 2392985 A1	18.01.2003
		CA 2392985 C	08.06.2010
		CN 100578291 C	06.01.2010
		CN 100595055 C	24.03.2010
		CN 101039796 A0	19.09.2007
		CN 101039796 B	13.10.2010
		CN 101164006 A0	16.04.2008
		CN 1543549 A	03.11.2004
		CN 1543549 C0	06.12.2006
		CN 1917998 A	21.02.2007
		CN 1917998 C0	21.02.2007
		CN 1952701 A	25.04.2007
		CN 1952701 C0	12.11.2008
		EP 0751340 A2	02.01.1997
		EP 0751340 A3	26.03.1997
		EP 0751340 B1	24.05.2000
		EP 0884525 A2	16.12.1998
		EP 0884525 A3	23.12.1998
		EP 0884525 B1	30.08.2006
		EP 0993579 A1	19.04.2000
		EP 0993579 B1	05.09.2007
		EP 1163473 A1	19.12.2001
		EP 1163473 B1	29.09.2010
		EP 1278007 A1	22.01.2003
		EP 1415110 A1	06.05.2004
		EP 1419346 A1	19.05.2004
		EP 1451502 A1	01.09.2004
		EP 1451502 B1	26.05.2010
		EP 1561137 A1	10.08.2005
		EP 1561137 B1	01.06.2011
EP 1697114 A2	06.09.2006		
EP 1779162 A2	02.05.2007		
EP 1794639 A2	13.06.2007		
EP 1923625 A2	21.05.2008		
EP 1923625 A3	04.06.2008		

INTERNATIONAL SEARCH REPORT

Information on patent family members

International application No.

PCT/US2012/032401

Patent document cited in search report	Publication date	Patent family member(s)	Publication date
		EP 2244005 A1	27. 10. 2010
		EP 2284437 A1	16. 02. 2011
		JP 03-670255 B2	13. 07. 2005
		JP 04-349902 B2	31. 07. 2009
		JP 04-378172 B2	18. 09. 2009
		JP 04-392441 B2	16. 10. 2009
		JP 04-448252 B2	29. 01. 2010
		JP 04-779065 B2	15. 07. 2011
		JP 04-836802 B2	07. 10. 2011
		JP 04-922935 B2	10. 02. 2012
		JP 05-075134 B2	31. 08. 2012
		JP 09-021916 A	21. 01. 1997
		JP 11-015393 A	22. 01. 1999
		JP 2002-514127 A	14. 05. 2002
		JP 2002-538577 A	12. 11. 2002
		JP 2003-162904 A	06. 06. 2003
		JP 2005-508565 A	31. 03. 2005
		JP 2005-512144 A	28. 04. 2005
		JP 2006-054196 A	23. 02. 2006
		JP 2007-324144 A	13. 12. 2007
		JP 2007-329137 A	20. 12. 2007
		JP 2007-516477 A	21. 06. 2007
		JP 2008-510180 A	03. 04. 2008
		JP 2008-515026 A	08. 05. 2008
		JP 2009-152207 A	09. 07. 2009
		JP 2009-289760 A	10. 12. 2009
		JP 2010-056094 A	11. 03. 2010
		JP 2010-056095 A	11. 03. 2010
		JP 2012-094540 A	17. 05. 2012
		JP 4392441 B2	06. 01. 2010
		JP 4779065 B2	21. 09. 2011
		JP 4836802 B2	14. 12. 2011
		KR 10-0729886 B1	22. 06. 2007
		KR 10-0918141 B1	17. 09. 2009
		KR 10-0961043 B1	01. 06. 2010
		KR 10-0965681 B1	24. 06. 2010
		KR 10-0989695 B1	26. 10. 2010
		KR 10-1060467 B1	29. 08. 2011
		KR 10-1095181 B1	16. 12. 2011
		KR 10-1114721 B1	29. 02. 2012
		KR 10-1185616 B1	24. 09. 2012
		KR 10-2005-0044695 A	12. 05. 2005
		KR 10-2011-0066980 A	17. 06. 2011
		TW 1225543B	21. 12. 2004
		TW 1266845B	21. 11. 2006
		TW 1317695A	01. 12. 2009
		TW 1317695B	01. 12. 2009
		TW 1333535A	21. 11. 2010
		TW 225543 A	21. 12. 2004
		TW 225543 B	21. 12. 2004

INTERNATIONAL SEARCH REPORT

Information on patent family members

International application No.

PCT/US2012/032401

Patent document cited in search report	Publication date	Patent family member(s)	Publication date
		TW 266845 A	21.11.2006
		TW 266845 B	21.11.2006
		US 05613751A A	25.03.1997
		US 05618096A A	08.04.1997
		US 05876107A A	02.03.1999
		US 05921652A A	13.07.1999
		US 05975711A A	02.11.1999
		US 06079838A A	27.06.2000
		US 2001-0001260 A1	17.05.2001
		US 2001-0053075 A1	20.12.2001
		US 2002-0001202 A1	03.01.2002
		US 2002-0009275 A1	24.01.2002
		US 2002-0058931 A1	16.05.2002
		US 2002-0080598 A1	27.06.2002
		US 2002-0141174 A1	03.10.2002
		US 2003-0007344 A1	09.01.2003
		US 2003-0095781 A1	22.05.2003
		US 2003-0123245 A1	03.07.2003
		US 2003-0123246 A1	03.07.2003
		US 2003-0123247 A1	03.07.2003
		US 2003-0202338 A1	30.10.2003
		US 2004-0012946 A1	22.01.2004
		US 2004-0080927 A1	29.04.2004
		US 2004-0085749 A1	06.05.2004
		US 2004-0114346 A1	17.06.2004
		US 2004-0135273 A1	15.07.2004
		US 2004-0165372 A1	26.08.2004
		US 2005-0007759 A1	13.01.2005
		US 2005-0024849 A1	03.02.2005
		US 2005-0072032 A1	07.04.2005
		US 2005-0094418 A1	05.05.2005
		US 2005-0111238 A1	26.05.2005
		US 2005-0111241 A1	26.05.2005
		US 2005-122591 A1	09.06.2005
		US 2005-171408 A1	04.08.2005
		US 2005-207154 A1	22.09.2005
		US 2005-207178 A1	22.09.2005
		US 2005-213322 A1	29.09.2005
		US 2005-213323 A1	29.09.2005
		US 2005-213349 A1	29.09.2005
		US 2006-028817 A1	09.02.2006
		US 2006-028840 A1	09.02.2006
		US 2006-028841 A1	09.02.2006
		US 2006-028843 A1	09.02.2006
		US 2006-028844 A1	09.02.2006
		US 2006-126327 A1	15.06.2006
		US 2006-158906 A1	20.07.2006
		US 2006-217596 A1	28.09.2006
		US 2006-232965 A1	19.10.2006
		US 2006-256577 A1	16.11.2006

INTERNATIONAL SEARCH REPORT

Information on patent family members

International application No.

PCT/US2012/032401

Patent document cited in search report	Publication date	Patent family member(s)	Publication date
		US 2006-262557 A1	23.11.2006
		US 2006-262567 A1	23.11.2006
		US 2006-268545 A1	30.11.2006
		US 2006-274554 A1	07.12.2006
		US 2006-274555 A1	07.12.2006
		US 2007-103933 A1	10.05.2007
		US 2007-133224 A1	14.06.2007
		US 2007-147087 A1	28.06.2007
		US 2007-153549 A1	05.07.2007
		US 2007-187852 A1	16.08.2007
		US 2008-138024 A1	12.06.2008
		US 2008-239753 A1	02.10.2008
		US 2008-239755 A1	02.10.2008
		US 2008-259640 A1	23.10.2008
		US 2008-259642 A1	23.10.2008
		US 2008-266899 A1	30.10.2008
		US 2008-304283 A1	11.12.2008
		US 2009-027918 A1	29.01.2009
		US 2009-034234 A1	05.02.2009
		US 2009-073719 A1	19.03.2009
		US 2009-135626 A1	28.05.2009
		US 2009-141517 A1	04.06.2009
		US 2009-161385 A1	25.06.2009
		US 2009-207632 A1	20.08.2009
		US 2009-250829 A1	08.10.2009
		US 2009-257244 A1	15.10.2009
		US 2009-290218 A1	26.11.2009
		US 2010-172151 A1	08.07.2010
		US 2010-188858 A1	29.07.2010
		US 2010-309685 A1	09.12.2010
		US 2011-051458 A1	03.03.2011
		US 2011-058390 A1	10.03.2011
		US 2011-063873 A1	17.03.2011
		US 2011-134362 A1	09.06.2011
		US 6185356 B1	06.02.2001
		US 6504985 B2	07.01.2003
		US 6591049 B2	08.07.2003
		US 6712481 B2	30.03.2004
		US 6739744 B2	25.05.2004
		US 6749312 B2	15.06.2004
		US 6752505 B2	22.06.2004
		US 6755547 B2	29.06.2004
		US 6827456 B2	07.12.2004
		US 7004611 B2	28.02.2006
		US 7077544 B2	18.07.2006
		US 7090389 B2	15.08.2006
		US 7108414 B2	19.09.2006
		US 7160015 B2	09.01.2007
		US 7165873 B2	23.01.2007
		US 7178965 B2	20.02.2007

INTERNATIONAL SEARCH REPORT

Information on patent family members

International application No.

PCT/US2012/032401

Patent document cited in search report	Publication date	Patent family member(s)	Publication date
		US 7195389 B2	27.03.2007
		US 7226196 B2	05.06.2007
		US 7300194 B2	27.11.2007
		US 7306559 B2	11.12.2007
		US 7322730 B2	29.01.2008
		US 7354184 B2	08.04.2008
		US 7357553 B2	15.04.2008
		US 7364341 B2	29.04.2008
		US 7364342 B2	29.04.2008
		US 7374305 B2	20.05.2008
		US 7384177 B2	10.06.2008
		US 7404660 B2	29.07.2008
		US 7404661 B2	29.07.2008
		US 7434973 B2	14.10.2008
		US 7434974 B2	14.10.2008
		US 7448775 B2	11.11.2008
		US 7467887 B2	23.12.2008
		US 7497599 B2	03.03.2009
		US 7513672 B2	07.04.2009
		US 7524101 B2	28.04.2009
		US 7537370 B2	26.05.2009
		US 7563012 B2	21.07.2009
		US 7703967 B2	27.04.2010
		US 7712932 B2	11.05.2010
		US 7736043 B2	15.06.2010
		US 7780329 B2	24.08.2010
		US 7798695 B2	21.09.2010
		US 7806539 B2	05.10.2010
		US 7810982 B2	12.10.2010
		US 7819558 B2	26.10.2010
		US 7875218 B2	25.01.2011
		US 7887227 B2	15.02.2011
		US 7914196 B2	29.03.2011
		US 7963687 B2	21.06.2011
		US 8029708 B2	04.10.2011
		US 8092068 B2	10.01.2012
		US 8104944 B2	31.01.2012
		US 8142063 B2	27.03.2012
		US 8317368 B2	27.11.2012
US 2010-0149802 A1	17.06.2010	CN 101749572 A	23.06.2010
		US 8057087 B2	15.11.2011