

(19) World Intellectual Property Organization
International Bureau



(43) International Publication Date
23 July 2009 (23.07.2009)

(10) International Publication Number
WO 2009/090499 A3

(51) International Patent Classification:
A61M 5/31 (2006.01) *A61M 5/32* (2006.01)

(21) International Application Number:
PCT/IB2008/003984

(22) International Filing Date:
29 December 2008 (29.12.2008)

(25) Filing Language: English

(26) Publication Language: English

(30) Priority Data:
61/010,779 11 January 2008 (11.01.2008) US
61/135,262 18 July 2008 (18.07.2008) US
61/192,551 18 September 2008 (18.09.2008) US

(71) Applicant (for all designated States except US): **UCB PHARMA SA** [BE/BE]; Allée de la Recherche, 60, B-1070 Brussels (BE).

(72) Inventor; and
(75) Inventor/Applicant (for US only): **MORGAN, Darrell, P.** [GB/GB]; C/o Ucb Pharma Sa, 208 Bath Road, Berkshire, Slough SL 1 3WE (GB).

(74) Agent: **CAMPBELL, Patrick, John, Henry**; J.A. Kemp & Co., 14 South Square, Gray's Inn, London WC1R 5JJ (GB).

(81) Designated States (unless otherwise indicated, for every kind of national protection available): AE, AG, AL, AM, AO, AT, AU, AZ, BA, BB, BG, BH, BR, BW, BY, BZ, CA, CH, CN, CO, CR, CU, CZ, DE, DK, DM, DO, DZ, EC, EE, EG, ES, FI, GB, GD, GE, GH, GM, GT, HN, HR, HU, ID, IL, IN, IS, JP, KE, KG, KM, KN, KP, KR, KZ, LA, LC, LK, LR, LS, LT, LU, LY, MA, MD, ME, MG, MK, MN, MW, MX, MY, MZ, NA, NG, NI, NO, NZ, OM, PG, PH, PL, PT, RO, RS, RU, SC, SD, SE, SG, SK, SL, SM, ST, SV, SY, TJ, TM, TN, TR, TT, TZ, UA, UG, US, UZ, VC, VN, ZA, ZM, ZW.

[Continued on next page]

(54) Title: SYSTEMS FOR ADMINISTERING MEDICATION FOR RHEUMATOID ARTHRITIS PATIENTS

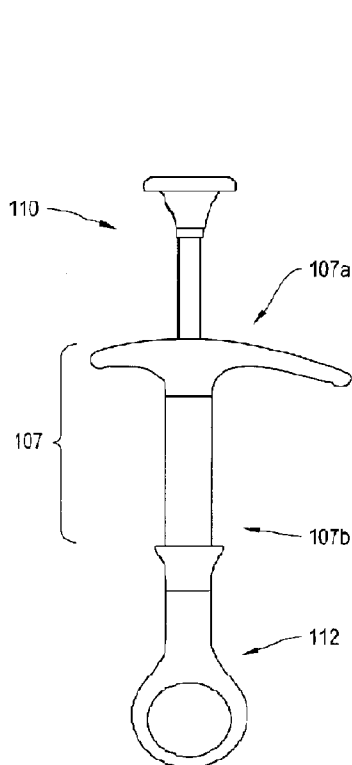


FIG. 1A

(57) Abstract: The syringe systems disclosed herein provide in part devices for allowing patients with compromised joint strength to more easily administer medicine. Certain exemplary syringe embodiments include a handle forming a handgrip, a syringe barrel that magnifies the dosage marks located on an inner barrel, and a tip cap slidably engageable with the syringe barrel for shielding a needle.

WO 2009/090499 A3

(84) Designated States (*unless otherwise indicated, for every kind of regional protection available*): ARIPO (BW, GH, GM, KE, LS, MW, MZ, NA, SD, SL, SZ, TZ, UG, ZM, ZW), Eurasian (AM, AZ, BY, KG, KZ, MD, RU, TJ, TM), European (AT, BE, BG, CH, CY, CZ, DE, DK, EE, ES, FI, FR, GB, GR, HR, HU, IE, IS, IT, LT, LU, LV, MC, MT, NL, NO, PL, PT, RO, SE, SI, SK, TR), OAPI (BF, BJ, CF, CG, CI, CM, GA, GN, GQ, GW, ML, MR, NE, SN, TD, TG).

Published:

- *with international search report (Art. 21(3))*
- *before the expiration of the time limit for amending the claims and to be republished in the event of receipt of amendments (Rule 48.2(h))*

(88) Date of publication of the international search report:
24 September 2009

INTERNATIONAL SEARCH REPORT

International application No
PCT/IB2008/003984A. CLASSIFICATION OF SUBJECT MATTER
INV. A61M5/31 A61M5/32

According to International Patent Classification (IPC) or to both national classification and IPC

B. FIELDS SEARCHED

Minimum documentation searched (classification system followed by classification symbols)
A61M

Documentation searched other than minimum documentation to the extent that such documents are included in the fields searched

Electronic data base consulted during the international search (name of data base and, where practical, search terms used)

EPO-Internal, WPI Data

C. DOCUMENTS CONSIDERED TO BE RELEVANT

| Category* | Citation of document, with indication, where appropriate, of the relevant passages | Relevant to claim No. |
|-----------|---|-----------------------|
| X | US 4 743 234 A (LEOPOLDI NORBERT [US] ET AL) 10 May 1988 (1988-05-10) | 22 |
| Y | figures 1-12 column 3, line 34 - column 6, line 55 | 1-21, 24-38 |
| X | US 2 586 581 A (TSCHISCHECK MARION E) 19 February 1952 (1952-02-19) | 22 |
| Y | figures 1-12 column 2, line 49 - column 4, line 58 | 1-21, 24-38 |
| X | WO 2005/115508 A1 (CILAG AG INT [CH]; HABESHAW ROSIE [GB]; BARROW-WILLIAMS TIM [GB]; BRAD) 8 December 2005 (2005-12-08) | 23 |
| Y | figures 1-9 page 4 | 1-12, 21, 24-28 |

 Further documents are listed in the continuation of Box C. See patent family annex.

* Special categories of cited documents :

- *A* document defining the general state of the art which is not considered to be of particular relevance
- *E* earlier document but published on or after the international filing date
- *L* document which may throw doubts on priority claim(s) or which is cited to establish the publication date of another citation or other special reason (as specified)
- *O* document referring to an oral disclosure, use, exhibition or other means
- *P* document published prior to the international filing date but later than the priority date claimed

- *T* later document published after the international filing date or priority date and not in conflict with the application but cited to understand the principle or theory underlying the invention
- *X* document of particular relevance; the claimed invention cannot be considered novel or cannot be considered to involve an inventive step when the document is taken alone
- *Y* document of particular relevance; the claimed invention cannot be considered to involve an inventive step when the document is combined with one or more other such documents, such combination being obvious to a person skilled in the art.
- *&* document member of the same patent family

Date of the actual completion of the international search

5 August 2009

Date of mailing of the international search report

12/08/2009

Name and mailing address of the ISA/

European Patent Office, P.B. 5818 Patentlaan 2
NL - 2280 HV Rijswijk
Tel. (+31-70) 340-2040,
Fax: (+31-70) 340-3016

Authorized officer

Reinbold, Sylvie

INTERNATIONAL SEARCH REPORT

International application No

PCT/IB2008/003984

C(Continuation). DOCUMENTS CONSIDERED TO BE RELEVANT

| Category* | Citation of document, with indication, where appropriate, of the relevant passages | Relevant to claim No. |
|-----------|--|-----------------------|
| X | FR 2 803 530 A1 (SANOFI SYNTHELABO [FR]) | 23 |
| Y | 13 July 2001 (2001-07-13) | |
| Y | page 4, line 16 - page 10, line 19 | 1-12, 21, |
| Y | figures 1-12 | 24-28 |
| Y | US 2003/060777 A1 (BENZ PHILIP DAVID [US] | 1-21, |
| Y | ET AL) 27 March 2003 (2003-03-27) | 24-38 |
| Y | figures 1-6 | |
| Y | paragraph [0043] - paragraph [0061] | |
| Y | WO 00/35519 A1 (BERLOVAN ACHIM [IT]) | 1-21, |
| Y | 22 June 2000 (2000-06-22) | 24-38 |
| Y | page 6, paragraph 4 - page 8, paragraph 3 | |
| Y | figures 1-13 | |
| Y | EP 0 372 892 A2 (ROSEIRO ANTONIO | 1-21, |
| Y | HENRIQUES) 13 June 1990 (1990-06-13) | 24-38 |
| Y | figures 1-8 | |
| Y | column 3, line 17 - column 4, line 30 | |

INTERNATIONAL SEARCH REPORT

Information on patent family members

International application No

PCT/IB2008/003984

| Patent document cited in search report | | Publication date | Patent family member(s) | Publication date |
|--|----|------------------|--|--|
| US 4743234 | A | 10-05-1988 | NONE | |
| US 2586581 | A | 19-02-1952 | NONE | |
| WO 2005115508 | A1 | 08-12-2005 | AU 2005247146 A1 BR PI0510480 A CA 2568660 A1 CN 101018579 A EP 1755706 A1 GB 2414400 A JP 2008500855 T KR 20070050409 A NZ 552330 A US 2009054849 A1 ZA 200610837 A ZA 200610840 A | 08-12-2005 06-11-2007 08-12-2005 15-08-2007 28-02-2007 30-11-2005 17-01-2008 15-05-2007 31-05-2009 26-02-2009 25-09-2008 25-06-2008 |
| FR 2803530 | A1 | 13-07-2001 | NONE | |
| US 2003060777 | A1 | 27-03-2003 | US 2004039345 A1 | 26-02-2004 |
| WO 0035519 | A1 | 22-06-2000 | AU 1404800 A IT 1303584 B1 | 03-07-2000 14-11-2000 |
| EP 0372892 | A2 | 13-06-1990 | BR 8906259 A PT 89148 A | 31-07-1990 29-06-1990 |