



- (51) International Patent Classification:
H02J 9/02 (2006.01) *H05B 37/02* (2006.01)
- (21) International Application Number:
PCT/IB2013/053924
- (22) International Filing Date:
14 May 2013 (14.05.2013)
- (25) Filing Language: English
- (26) Publication Language: English
- (30) Priority Data:
61/656,674 7 June 2012 (07.06.2012) US
- (71) Applicant: **KONINKLIJKE PHILIPS N.V.** [NL/NL];
High Tech Campus 5, NL-5656 AE Eindhoven (NL).
- (72) Inventors: **MISHRA, Priya Ranjan**; c/o High Tech Campus, Building 5, NL-5656 AE Eindhoven (NL). **PANGU-LOORI, Rakeshbabu**; c/o High Tech Campus, Building 5, NL-5656 AE Eindhoven (NL). **PULLELA, Venkata Sri-ram**; c/o High Tech Campus, Building 5, NL-5656 AE Eindhoven (NL).
- (74) Agents: **VAN EEUWIJK, Alexander Henricus Walterus** et al.; High Tech Campus Building 5, NL-5656 AE Eindhoven (NL).
- (81) Designated States (*unless otherwise indicated, for every kind of national protection available*): AE, AG, AL, AM, AO, AT, AU, AZ, BA, BB, BG, BH, BN, BR, BW, BY, BZ, CA, CH, CL, CN, CO, CR, CU, CZ, DE, DK, DM, DO, DZ, EC, EE, EG, ES, FI, GB, GD, GE, GH, GM, GT, HN, HR, HU, ID, IL, IN, IS, JP, KE, KG, KM, KN, KP,

KR, KZ, LA, LC, LK, LR, LS, LT, LU, LY, MA, MD, ME, MG, MK, MN, MW, MX, MY, MZ, NA, NG, NI, NO, NZ, OM, PA, PE, PG, PH, PL, PT, QA, RO, RS, RU, RW, SC, SD, SE, SG, SK, SL, SM, ST, SV, SY, TH, TJ, TM, TN, TR, TT, TZ, UA, UG, US, UZ, VC, VN, ZA, ZM, ZW.

(84) Designated States (*unless otherwise indicated, for every kind of regional protection available*): ARIPO (BW, GH, GM, KE, LR, LS, MW, MZ, NA, RW, SD, SL, SZ, TZ, UG, ZM, ZW), Eurasian (AM, AZ, BY, KG, KZ, RU, TJ, TM), European (AL, AT, BE, BG, CH, CY, CZ, DE, DK, EE, ES, FI, FR, GB, GR, HR, HU, IE, IS, IT, LT, LU, LV, MC, MK, MT, NL, NO, PL, PT, RO, RS, SE, SI, SK, SM, TR), OAPI (BF, BJ, CF, CG, CI, CM, GA, GN, GQ, GW, ML, MR, NE, SN, TD, TG).

Declarations under Rule 4.17:

- as to applicant's entitlement to apply for and be granted a patent (Rule 4.17(ii))
- as to the applicant's entitlement to claim the priority of the earlier application (Rule 4.17(iii))

Published:

- with international search report (Art. 21(3))
- before the expiration of the time limit for amending the claims and to be republished in the event of receipt of amendments (Rule 48.2(h))

(88) Date of publication of the international search report:
10 April 2014

WO 2013/182927 A3

(54) Title: A SYSTEM AND METHOD FOR EMERGENCY LIGHTING

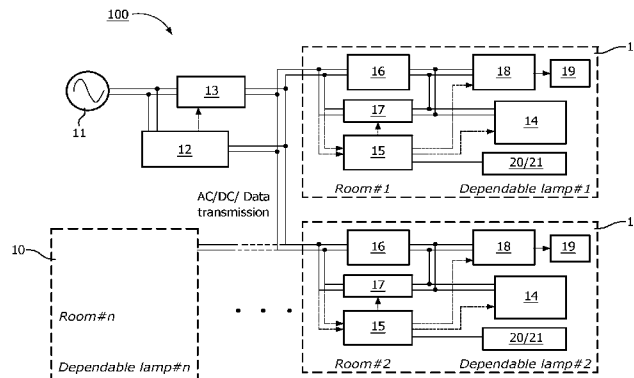


FIG. 1

(57) Abstract: A lighting network(100) and methods therefore are disclosed. The lighting network(100) a plurality of lighting units (10) that can operate on AC power and DC back up power if the AC power is removed. A controller (15) is used to redistribute the DC power between the plurality of lighting units (10) in the event that DC power is low or exhausted in one of the plurality of lighting units (10).

INTERNATIONAL SEARCH REPORT

International application No
PCT/IB2013/053924

A. CLASSIFICATION OF SUBJECT MATTER
INV. H02J9/02 H05B37/02
ADD.
According to International Patent Classification (IPC) or to both national classification and IPC

B. FIELDS SEARCHED
Minimum documentation searched (classification system followed by classification symbols)
H05B H02J

Documentation searched other than minimum documentation to the extent that such documents are included in the fields searched

Electronic data base consulted during the international search (name of data base and, where practicable, search terms used)
EPO-Internal, WPI Data

C. DOCUMENTS CONSIDERED TO BE RELEVANT

Category*	Citation of document, with indication, where appropriate, of the relevant passages	Relevant to claim No.
X	DE 198 32 550 A1 (WICH JENS [DE]) 3 February 2000 (2000-02-03)	1-6,9
Y	figures 1,3 claims 8,22	7,8,11, 12
X	US 2011/133649 A1 (KREINER BARRETT [US] ET AL) 9 June 2011 (2011-06-09)	18-20
Y	figure 2	7,8,11, 12
A	paragraph [0036] - paragraph [0039] paragraph [0020] - paragraph [0025]	13
A	WO 2010/043923 A1 (OSRAM GMBH [DE]; OSRAM SPA SOCIETA RIUNITE OSRA [IT]; LIESS UWE [IT]) 22 April 2010 (2010-04-22) figure 2	13,18
	----- -/--	

Further documents are listed in the continuation of Box C.

See patent family annex.

* Special categories of cited documents :

- "A" document defining the general state of the art which is not considered to be of particular relevance
- "E" earlier application or patent but published on or after the international filing date
- "L" document which may throw doubts on priority claim(s) or which is cited to establish the publication date of another citation or other special reason (as specified)
- "O" document referring to an oral disclosure, use, exhibition or other means
- "P" document published prior to the international filing date but later than the priority date claimed

- "T" later document published after the international filing date or priority date and not in conflict with the application but cited to understand the principle or theory underlying the invention
- "X" document of particular relevance; the claimed invention cannot be considered novel or cannot be considered to involve an inventive step when the document is taken alone
- "Y" document of particular relevance; the claimed invention cannot be considered to involve an inventive step when the document is combined with one or more other such documents, such combination being obvious to a person skilled in the art
- "&" document member of the same patent family

Date of the actual completion of the international search 18 February 2014	Date of mailing of the international search report 27/02/2014
Name and mailing address of the ISA/ European Patent Office, P.B. 5818 Patentlaan 2 NL - 2280 HV Rijswijk Tel. (+31-70) 340-2040, Fax: (+31-70) 340-3016	Authorized officer Despis, Enguerran

INTERNATIONAL SEARCH REPORT

International application No
PCT/IB2013/053924

C(Continuation). DOCUMENTS CONSIDERED TO BE RELEVANT		
Category*	Citation of document, with indication, where appropriate, of the relevant passages	Relevant to claim No.
A	WO 2008/124701 A2 (SUNOVIA ENERGE TECHNOLOGIES IN [US]; VANDERSLUIJ DONALD [US]; SMITH CA) 16 October 2008 (2008-10-16) figure 3 -----	1,13,18
A	WO 2011/015975 A2 (KONINKL PHILIPS ELECTRONICS NV [NL]; KNIBBE ENGEL J [NL]; ERTZ ALEXAND) 10 February 2011 (2011-02-10) figure 5 -----	1

INTERNATIONAL SEARCH REPORT

Information on patent family members

International application No PCT/IB2013/053924

Patent document cited in search report	Publication date	Publication date	Patent family member(s)	Publication date
DE 19832550	A1	03-02-2000	NONE	

US 2011133649	A1	09-06-2011	NONE	

WO 2010043923	A1	22-04-2010	EP 2345134 A1	20-07-2011
			KR 20110044804 A	29-04-2011
			US 2011181206 A1	28-07-2011
			WO 2010043923 A1	22-04-2010

WO 2008124701	A2	16-10-2008	US 2010135000 A1	03-06-2010
			WO 2008124701 A2	16-10-2008

WO 2011015975	A2	10-02-2011	CN 102474954 A	23-05-2012
			EP 2462783 A2	13-06-2012
			JP 2013501338 A	10-01-2013
			KR 20120041246 A	30-04-2012
			TW 201125438 A	16-07-2011
			US 2012181934 A1	19-07-2012
			WO 2011015975 A2	10-02-2011
