



US00D736580S

(12) **United States Design Patent**
Lehoux

(10) **Patent No.:** **US D736,580 S**

(45) **Date of Patent:** **** Aug. 18, 2015**

(54) **BOTTLE CUTTER**

(71) Applicant: **Patrick Lehoux**, Sudbury (CA)

(72) Inventor: **Patrick Lehoux**, Sudbury (CA)

(**) Term: **14 Years**

(21) Appl. No.: **29/439,794**

(22) Filed: **Dec. 14, 2012**

(30) **Foreign Application Priority Data**

Jun. 15, 2012 (CA) 146114

(51) **LOC (10) Cl.** **08-05**

(52) **U.S. Cl.**
USPC **D8/51**

(58) **Field of Classification Search**

USPC D8/51, 57, 60, 107, 312; 30/92, 93, 94,
30/95, 96, 97, 101, 102; 83/863; 82/54
CPC C03B 33/12; C03B 33/14; C03B 33/10
See application file for complete search history.

(56) **References Cited**

U.S. PATENT DOCUMENTS

3,243,878 A * 4/1966 Bjalme et al. 30/95
3,335,492 A * 8/1967 Spiro 30/101
5,515,756 A * 5/1996 Sandford et al. 82/54

D446,103 S * 8/2001 Olaneta D8/98
D556,528 S * 12/2007 Huang D8/60
D569,702 S * 5/2008 Groten D8/60
8,033,024 B2 * 10/2011 Goop 30/101
2013/033542 A1 * 12/2013 Lehoux 83/863

* cited by examiner

Primary Examiner — Ian Simmons

Assistant Examiner — Harold Blackwell, II

(74) *Attorney, Agent, or Firm* — Neal, Gerber & Eisenberg
LLP

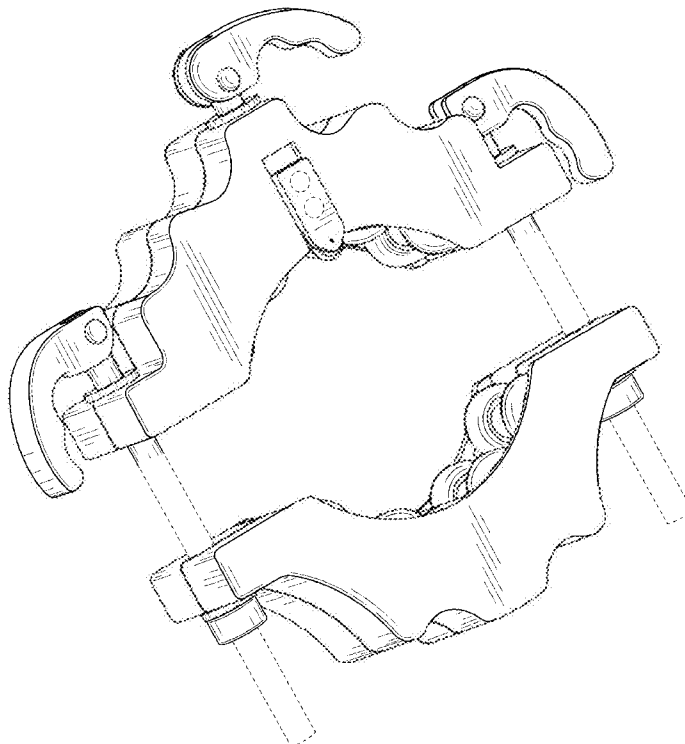
(57) **CLAIM**

The ornamental design for a bottle cutter, as shown and described.

DESCRIPTION

FIG. 1 is a front perspective view of a bottle cutter in accordance with the present design;
FIG. 2 is a front view of the bottle cutter of FIG. 1;
FIG. 3 is a rear view of the bottle cutter of FIG. 1;
FIG. 4 is a left side view of the bottle cutter of FIG. 1;
FIG. 5 is right side view of the bottle cutter of FIG. 1;
FIG. 6 is a top plan view of the bottle cutter of FIG. 1; and,
FIG. 7 is a bottom plan view of the bottle cutter of FIG. 1.
The broken lines in the drawings illustrate the portions of the design that form no part of the claim.

1 Claim, 5 Drawing Sheets



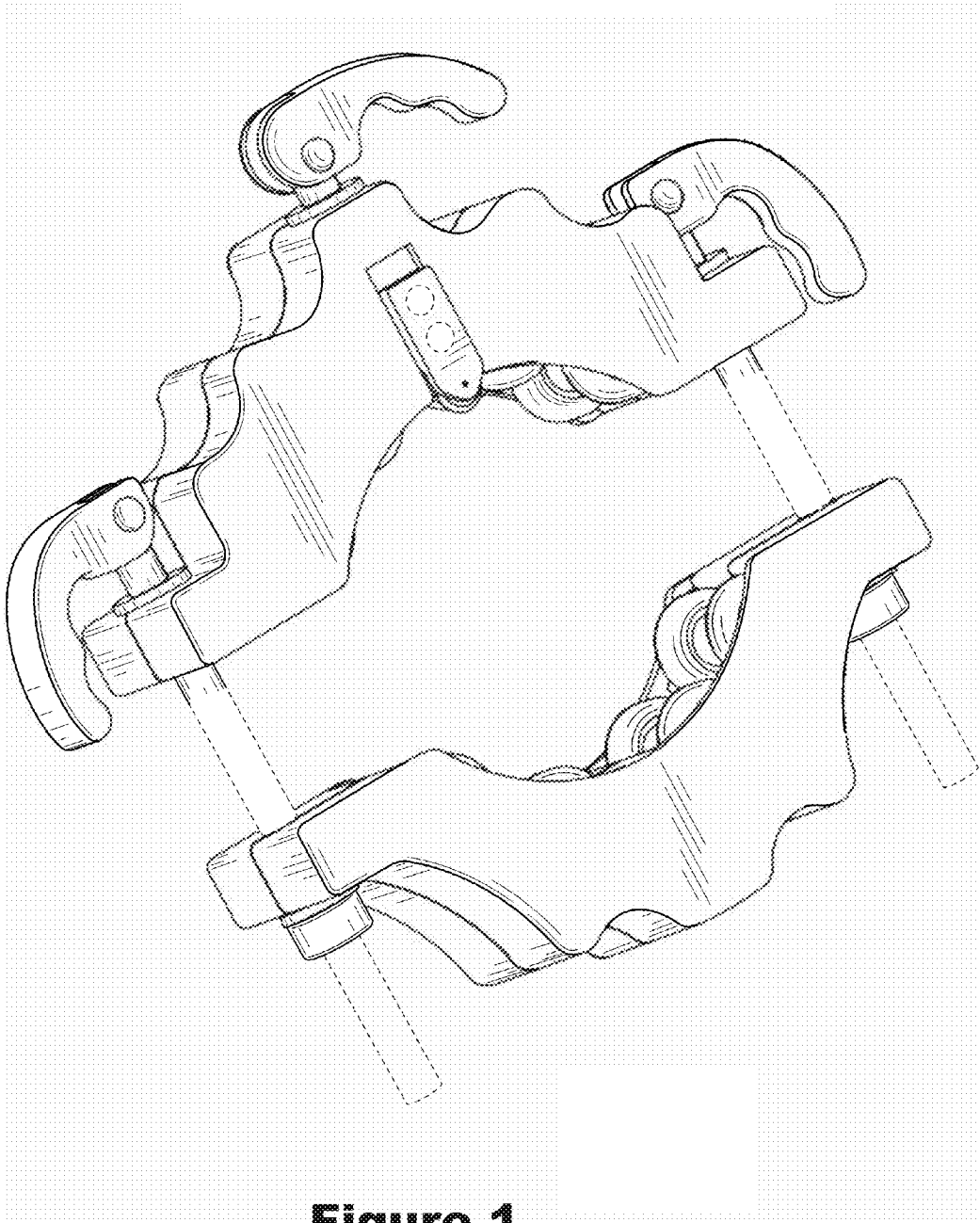


Figure 1

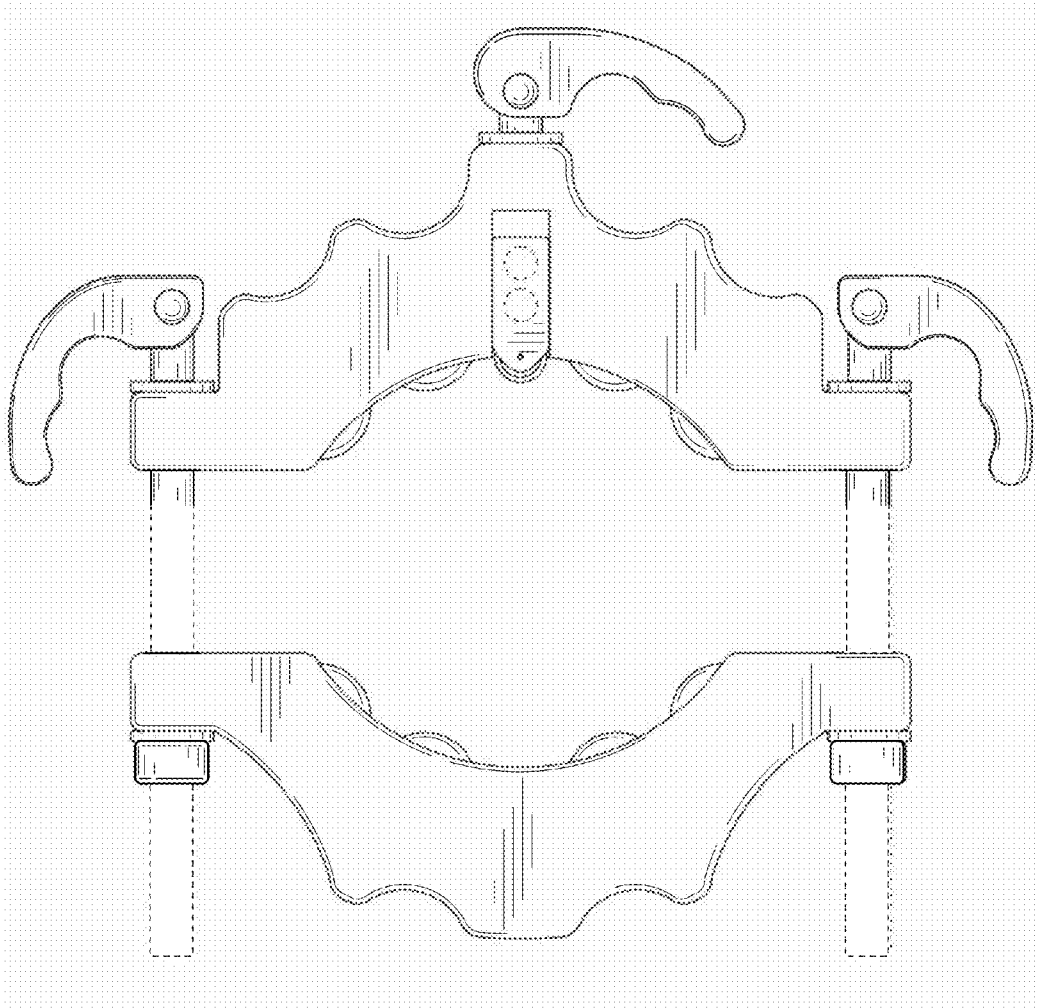


Figure 2

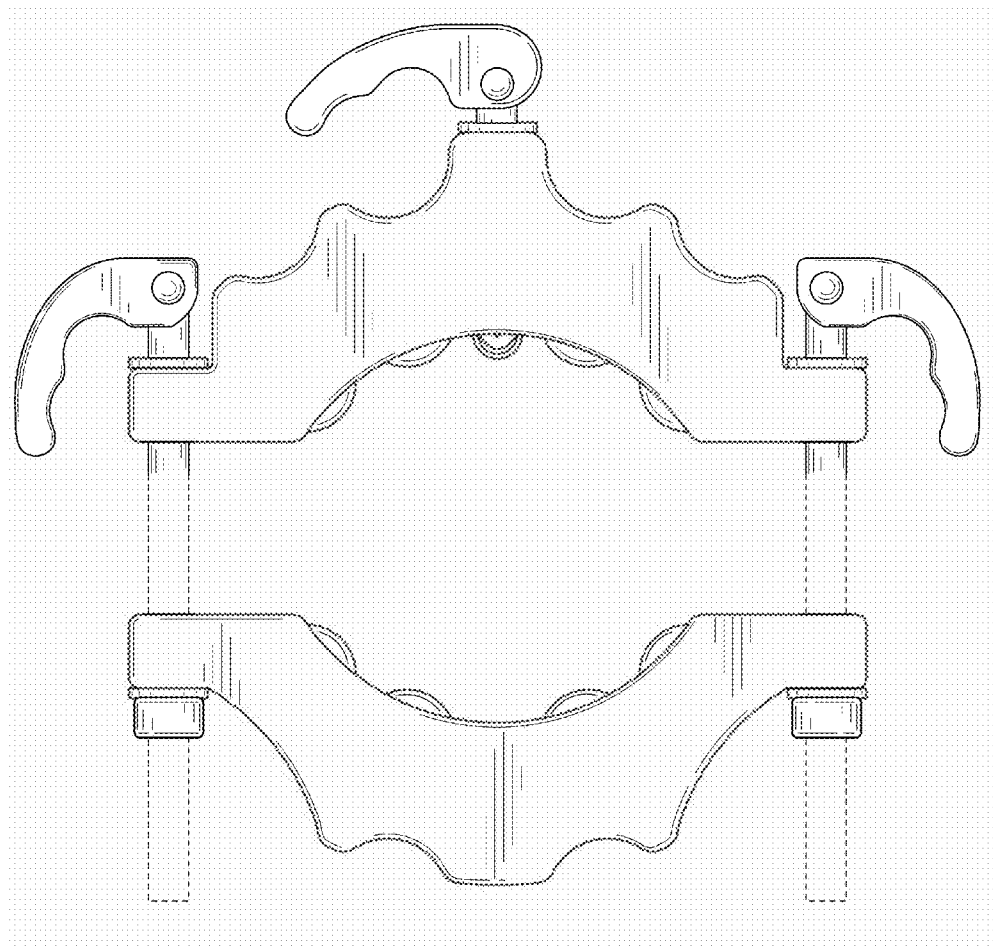


Figure 3

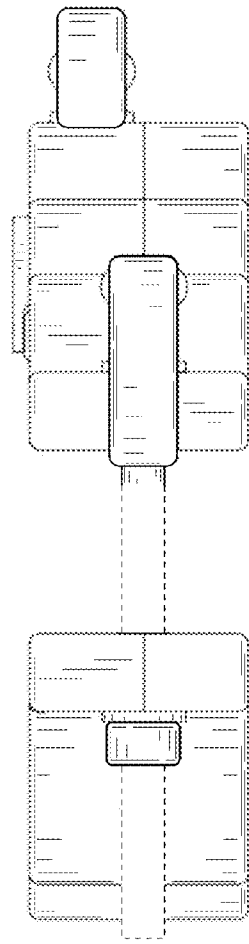


Figure 4

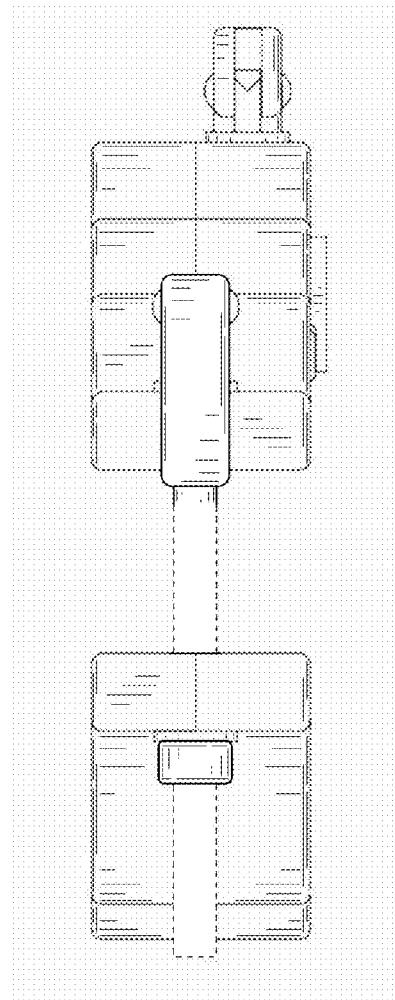


Figure 5

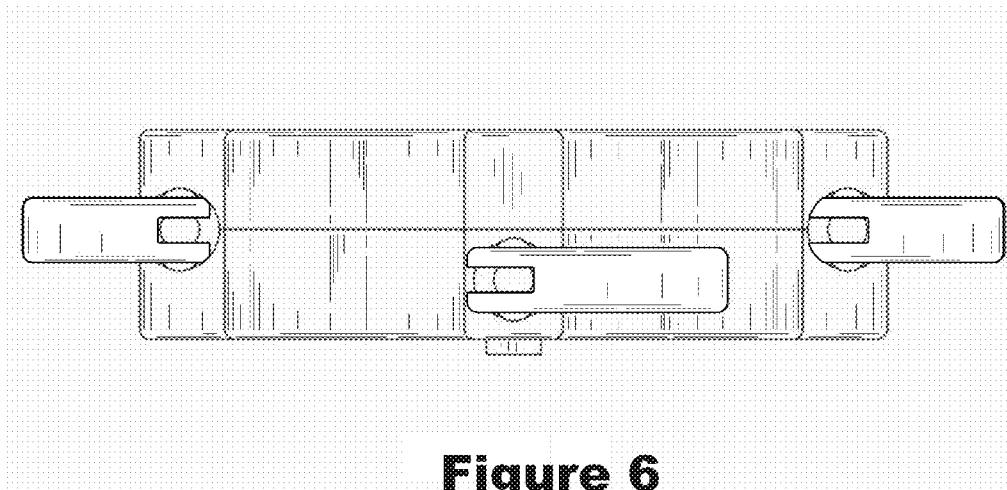


Figure 6

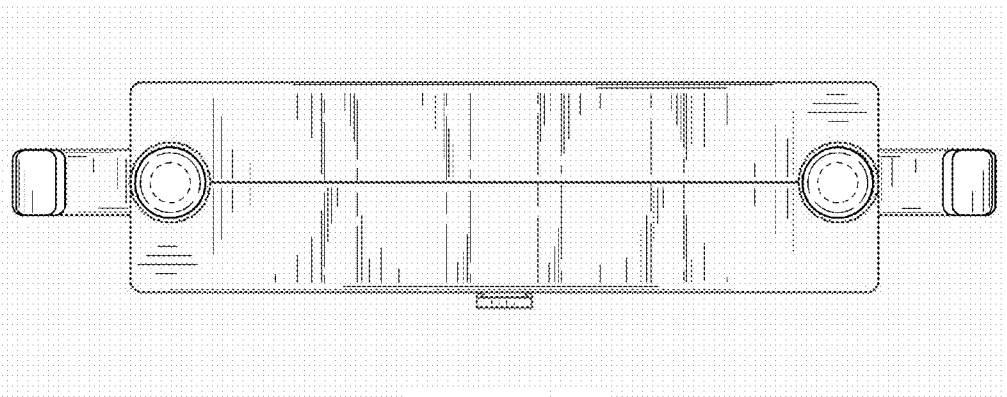


Figure 7