



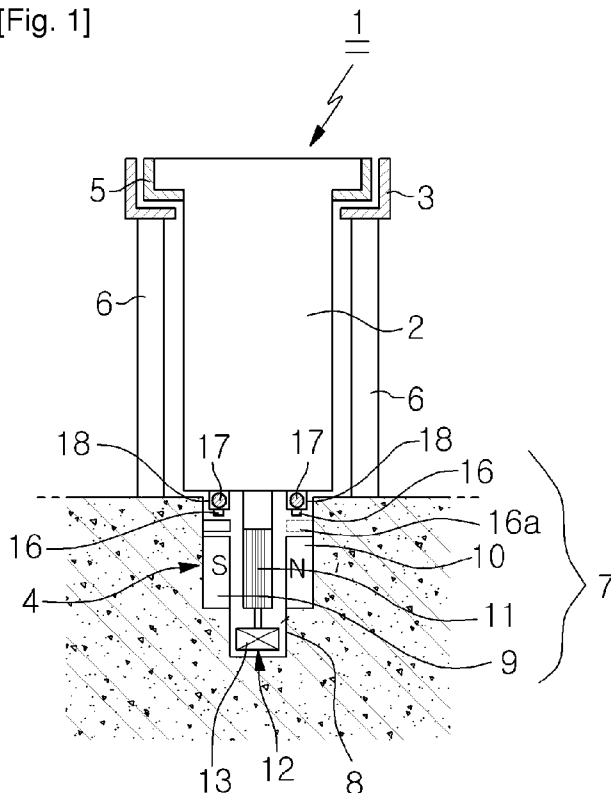
- (51) International Patent Classification:
B60L 13/04 (2006.01) G05F 1/00 (2006.01)
- (21) International Application Number:
PCT/KR2008/007062
- (22) International Filing Date:
28 November 2008 (28.11.2008)
- (25) Filing Language: Korean
- (26) Publication Language: English
- (30) Priority Data:
10-2007-0123700
30 November 2007 (30.11.2007) KR
- (71) Applicant and
(72) Inventor: SUNG, Sam Kyung [KR/KR]; 203-ho, 104-12
Myeongjang 1-dong, Dongnae-gu, Busan 607-808 (KR).
- (74) Agent: CHOI, Han Soo; 105 Busan Technopark, San
84-2, Eomgung-dong, Sasang-gu, Busan 617-030 (KR).

- (81) Designated States (unless otherwise indicated, for every kind of national protection available): AE, AG, AL, AM, AO, AT, AU, AZ, BA, BB, BG, BH, BR, BW, BY, BZ, CA, CH, CN, CO, CR, CU, CZ, DE, DK, DM, DO, DZ, EC, EE, EG, ES, FI, GB, GD, GE, GH, GM, GT, HN, HR, HU, ID, IL, IN, IS, JP, KE, KG, KM, KN, KP, KZ, LA, LC, LK, LR, LS, LT, LU, LY, MA, MD, ME, MG, MK, MN, MW, MX, MY, MZ, NA, NG, NI, NO, NZ, OM, PG, PH, PL, PT, RO, RS, RU, SC, SD, SE, SG, SK, SL, SM, ST, SV, SY, TJ, TM, TN, TR, TT, TZ, UA, UG, US, UZ, VC, VN, ZA, ZM, ZW.
- (84) Designated States (unless otherwise indicated, for every kind of regional protection available): ARIPO (BW, GH, GM, KE, LS, MW, MZ, NA, SD, SL, SZ, TZ, UG, ZM, ZW), Eurasian (AM, AZ, BY, KG, KZ, MD, RU, TJ, TM), European (AT, BE, BG, CH, CY, CZ, DE, DK, EE, ES, FI, FR, GB, GR, HR, HU, IE, IS, IT, LT, LU, LV, MC, MT, NL, NO, PL, PT, RO, SE, SI, SK, TR), OAPI (BF, BJ, CF, CG, CI, CM, GA, GN, GQ, GW, ML, MR, NE, SN, TD, TG).

[Continued on next page]

(54) Title: MAGLEV TRAIN

[Fig. 1]



(57) Abstract: A magnetic levitation train is provided. The magnetic levitation train includes guides, upper guide rails, a drive unit, plural pairs of permanent magnets, field coils, and a guide means. The guides are mounted on the left and right sides of the upper portion of a train body. The upper guide rails are mounted to the left and right portions of the train body opposite the guides. The drive unit is mounted under the train body and is provided with a drive means and a lower guide rail. The permanent magnets are mounted on the left and right sides of the lower guide rail so as to be opposite each other. The field coils are located between the permanent magnets and are fixedly mounted below the train body. The guide means is mounted on a lower end of the field coils to be guided into the lower guide rail.



Published:

(88) Date of publication of the international search report:

24 September 2009

- *with international search report (Art. 21(3))*
- *before the expiration of the time limit for amending the claims and to be republished in the event of receipt of amendments (Rule 48.2(h))*

INTERNATIONAL SEARCH REPORT

International application No.
PCT/KR2008/007062**A. CLASSIFICATION OF SUBJECT MATTER***B60L 13/04(2006.01)i, G05F 1/00(2006.01)i*

According to International Patent Classification (IPC) or to both national classification and IPC

B. FIELDS SEARCHED

Minimum documentation searched (classification system followed by classification symbols)

IPC 8 : B60L, G05F

Documentation searched other than minimum documentation to the extent that such documents are included in the fields searched

Korean utility models and applications for utility models since 1975.
Japanese utility models and applications for utility models since 1975.

Electronic data base consulted during the international search (name of data base and, where practicable, search terms used)

eKOMPASS (KIPO internal) & keywords : "magnetic", "levitation", "support", "field" and "magnet"

C. DOCUMENTS CONSIDERED TO BE RELEVANT

Category*	Citation of document, with indication, where appropriate, of the relevant passages	Relevant to claim No.
A	US 5,479,145 A (SWARN, S. K.) 26 December 1995 See abstract, column 2, line 1 - column 4, line 8, and figures 1-4.	1-5
A	US 5,647,477 A (MORISHITA, M.) 15 July 1997 See abstract, claims 1-28, and figures 1-32.	1-5
A	US 4,882,999 A (AZUKIZAWA, T. et al.) 28 November 1989 See abstract, claims 1-6, and figures 1-21.	1-5
A	JP 06-178409 A (TOSHIBA CO., LTD.) 24 June 1994 See abstract, claims 1-4, and figures 1-5.	1-5

 Further documents are listed in the continuation of Box C. See patent family annex.

* Special categories of cited documents:

"A" document defining the general state of the art which is not considered to be of particular relevance

"E" earlier application or patent but published on or after the international filing date

"L" document which may throw doubts on priority claim(s) or which is cited to establish the publication date of citation or other special reason (as specified)

"O" document referring to an oral disclosure, use, exhibition or other means

"P" document published prior to the international filing date but later than the priority date claimed

"T" later document published after the international filing date or priority date and not in conflict with the application but cited to understand the principle or theory underlying the invention

"X" document of particular relevance; the claimed invention cannot be considered novel or cannot be considered to involve an inventive step when the document is taken alone

"Y" document of particular relevance; the claimed invention cannot be considered to involve an inventive step when the document is combined with one or more other such documents, such combination being obvious to a person skilled in the art

"&" document member of the same patent family

Date of the actual completion of the international search

29 JULY 2009 (29.07.2009)

Date of mailing of the international search report

29 JULY 2009 (29.07.2009)

Name and mailing address of the ISA/KR

Korean Intellectual Property Office
Government Complex-Daejeon, 139 Seonsa-ro, Seo-gu,
Daejeon 302-701, Republic of Korea

Facsimile No. 82-42-472-7140

Authorized officer

RYU, SI UNG

Telephone No. 82-42-481-5980



INTERNATIONAL SEARCH REPORT

Information on patent family members

International application No.

PCT/KR2008/007062

Patent document cited in search report	Publication date	Patent family member(s)	Publication date
US 05479145 A	26.12.1995	WO 1995-006949 A1	09.03.1995
US 05647477 A	15.07.1997	KR 10-0164956 B1	01.12.1998
US 04882999 A	28.11.1989	KR 10-1991-0002780 B1	04.05.1991
		US 04934279 A	19.06.1990
		US 05156093 A	20.10.1992
JP 06-178409 A	24.06.1994	JP 03152775 B2	26.01.2001
		KR 10-1997-0004334 B1	27.03.1997
		US 05477788 A	26.12.1995