



US00D855126S

(12) **United States Design Patent**
Kuka

(10) **Patent No.:** **US D855,126 S**

(45) **Date of Patent:** **** Jul. 30, 2019**

- (54) **REVOLVING PULLUP BAR**
- (71) Applicant: **MoveStrong Functional Fitness Equipment, LLC**, Chattanooga, TN (US)
- (72) Inventor: **Jared Kuka**, Chattanooga, TN (US)
- (73) Assignee: **MoveStrong Functional Fitness Equipment, LLC**, Chattanooga, TN (US)

D686,286	S *	7/2013	Orakwusi	D21/679
D748,744	S *	2/2016	Hansen	D21/679
D748,745	S *	2/2016	Hansen	D21/679
D764,607	S *	8/2016	Beckford	D21/679
9,427,611	B1 *	8/2016	Balentine	A63B 1/00
2012/0115683	A1 *	5/2012	Ross	A63B 21/1636
					482/38
2012/0115684	A1 *	5/2012	Nguyen	A63B 21/1627
					482/40
2013/0040784	A1 *	2/2013	Gillespie	A63B 1/00
					482/39

(**) Term: **15 Years**

(21) Appl. No.: **29/622,705**

(22) Filed: **Oct. 19, 2017**

(51) **LOC (11) Cl.** **21-02**

(52) **U.S. Cl.** **D21/679**

(58) **Field of Classification Search**

USPC 482/33, 38, 39, 40, 44, 45, 46, 47, 49, 482/50, 51, 55, 91, 93, 104, 105, 106, 482/108, 109, 121, 123, 126, 127, 139, 482/141, 148; D21/662, 679, 680, 681, D21/686, 691, 692, 694, 797, 798

CPC A63B 21/0724; A63B 21/0728; A63B 21/4017; A63B 21/0004; A63B 21/1627; A63B 1/00

See application file for complete search history.

(56) **References Cited**

U.S. PATENT DOCUMENTS

4,557,479	A *	12/1985	Guibert	A63B 21/0004
					482/110
6,179,748	B1 *	1/2001	Barr	A63B 1/00
					482/38
D554,209	S *	10/2007	Loucks	D21/691
D682,955	S *	5/2013	Stephan	D21/679
D685,865	S *	7/2013	Kuhn	D21/679

OTHER PUBLICATIONS

Youtube (Applicant's page), "Movestrong Revolver Pull-Up Bar debuted", Jun. 8, 2017. <https://www.youtube.com/watch?v=BSG4pWEJABs>. Shown at the 00:31 minute mark. (Year: 2017).*

Movestrong (Applicant's website), "The Revolver Pullup Bar", Jun. 9, 2017. <http://www.movestrongfit.com/productnews/2017/6/9/the-revolver-pull-up-bar-now-available-for-nova-fits-and-pull-up-brackets>. Shown on pp. 2 and 3. (Year: 2017).*

* cited by examiner

Primary Examiner — Cynthia Ramirez
Assistant Examiner — Michael A Maharajh
 (74) *Attorney, Agent, or Firm* — Patterson Intellectual Property Law, P.C.; Ryan D. Levy

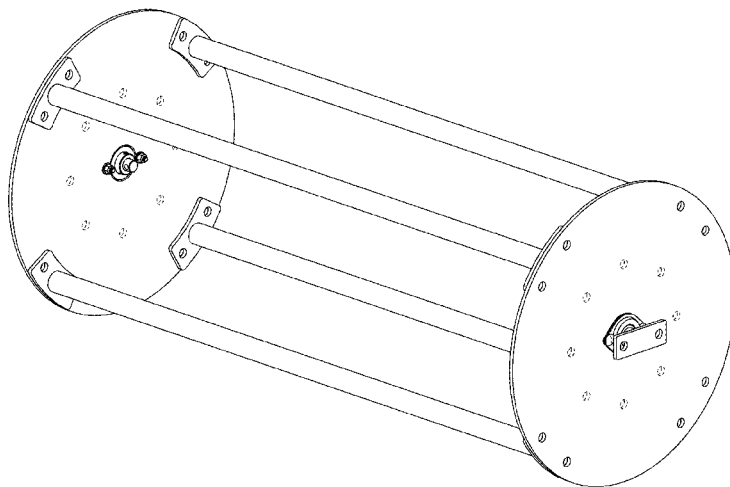
(57) **CLAIM**

What is claimed is the ornamental design for a revolving pullup bar, as shown and described.

DESCRIPTION

FIG. 1 is a front perspective view of a revolving pullup bar showing my new design.
 FIG. 2 is a front view thereof.
 FIG. 3 is a top view thereof; and,
 FIG. 4 is a right view thereof.

1 Claim, 4 Drawing Sheets



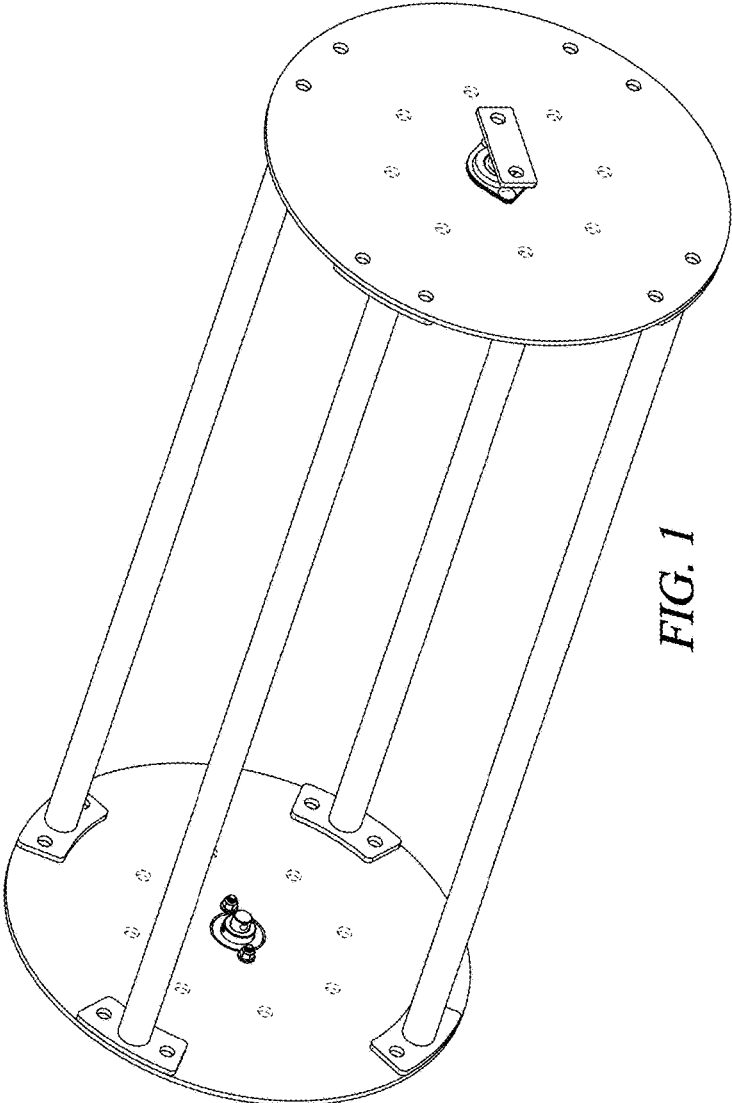


FIG. 1

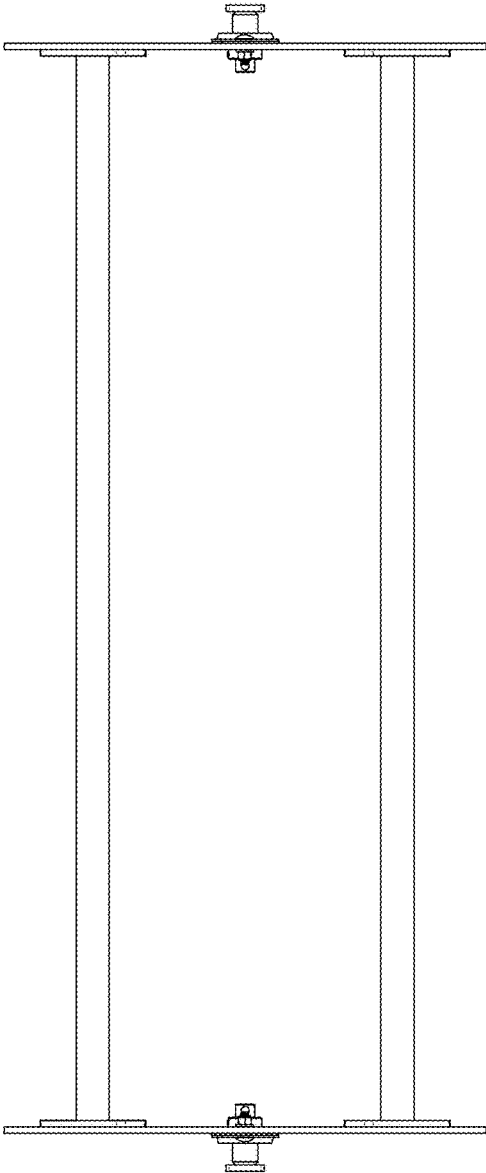


FIG. 2

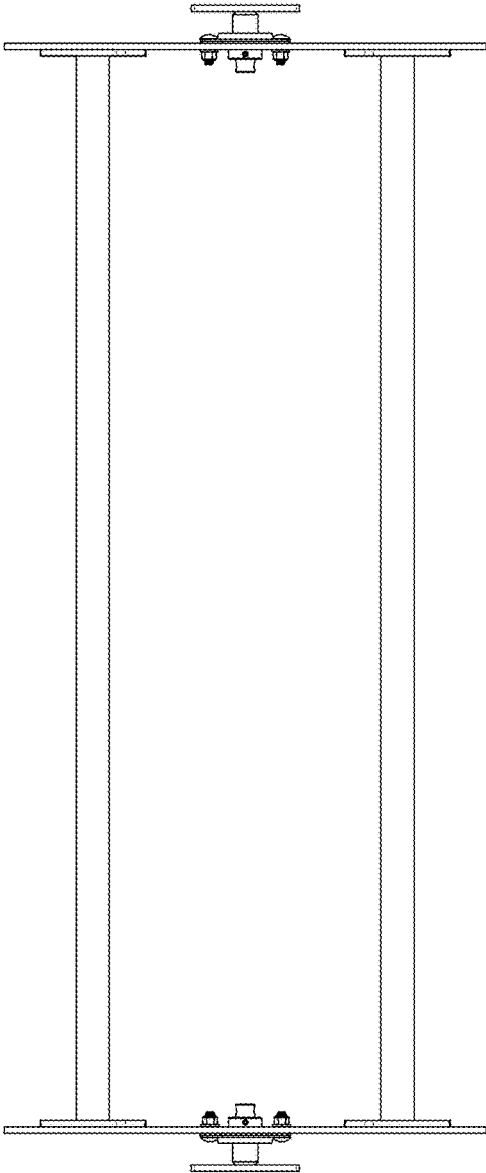


FIG. 3

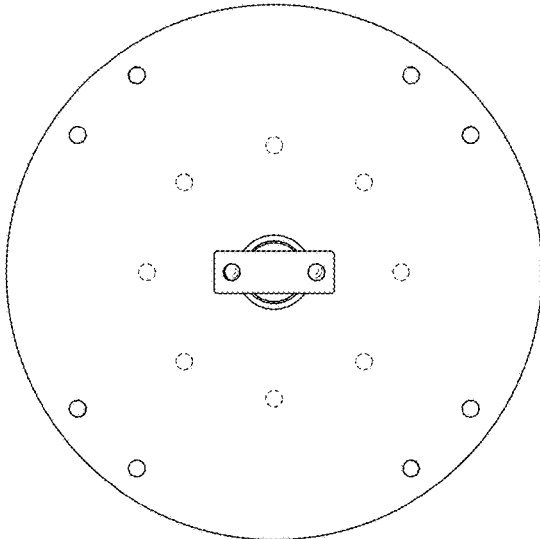


FIG. 4