



(12) **United States Design Patent**
Shamoon

(10) **Patent No.:** **US D701,424 S**
(45) **Date of Patent:** **** Mar. 25, 2014**

- (54) **COLLAPSIBLE CONTAINER WITH INTEGRAL CLIP**
- (71) Applicant: **Ellis N. Shamoon**, Dallas, TX (US)
- (72) Inventor: **Ellis N. Shamoon**, Dallas, TX (US)
- (**) Term: **14 Years**
- (21) Appl. No.: **29/437,734**
- (22) Filed: **Nov. 20, 2012**
- (51) **LOC (10) Cl.** **07-01**
- (52) **U.S. Cl.**
USPC **D7/505; D7/507; D7/512; D7/543; D7/691; D10/46.2**
- (58) **Field of Classification Search**
USPC **D7/584, 527, 505, 507, 512, 533, 543, D7/691, 587, 585, 667; D10/46.2; 220/6; 294/180**
See application file for complete search history.

D484,363 S	12/2003	de Groote et al.	
7,048,317 B2	5/2006	Netsch	
D522,809 S *	6/2006	Kusuma et al.	D7/602
D524,603 S	7/2006	Kishbaugh et al.	
D545,629 S	7/2007	Mellen et al.	
D550,036 S *	9/2007	Holcomb et al.	D7/512
D558,535 S *	1/2008	Curtin	D7/667
D562,159 S *	2/2008	Griffith et al.	D10/46.2
D564,138 S	3/2008	Dunn et al.	
D571,614 S	6/2008	Curtin	
D577,466 S	9/2008	Shamoon	
D582,101 S	12/2008	Shamoon	
D584,967 S *	1/2009	Shamoon	D10/46.2
D588,947 S *	3/2009	Curtin	D10/46.2
D598,251 S *	8/2009	Ikoma et al.	D7/691
D601,385 S	10/2009	Savage	
D618,862 S	6/2010	Shamoon	
D634,654 S *	3/2011	Hull et al.	D10/46.2
D645,705 S *	9/2011	Shamoon	D7/543
D648,190 S *	11/2011	Steiner et al.	D7/691
D652,746 S *	1/2012	Lee et al.	D10/46.2
D664,003 S *	7/2012	Nagoya	D7/512
D665,541 S *	8/2012	Shamoon	D30/133
D675,482 S *	2/2013	Heggestad et al.	D7/512

(Continued)

Primary Examiner — Marianne Pandozzi
(74) *Attorney, Agent, or Firm* — Daniel V. Thompson

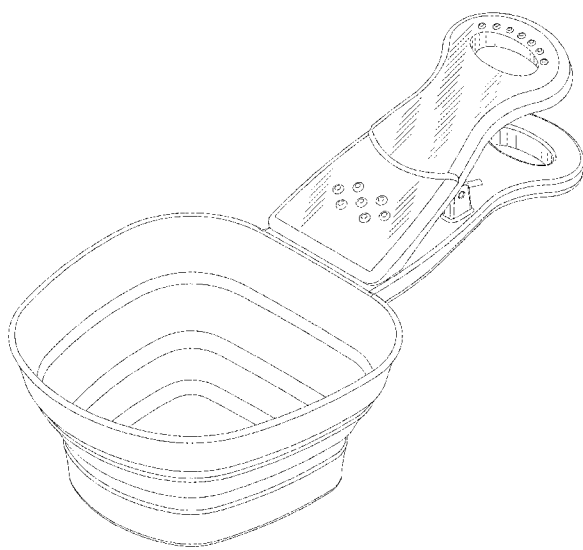
- (56) **References Cited**
U.S. PATENT DOCUMENTS
D91,251 S * 12/1933 Rettich D10/46.2
D188,614 S * 8/1960 Niclaus D7/532
D222,177 S 10/1971 Tondu
D250,565 S 12/1978 Stowell
D259,461 S * 6/1981 Daenen et al. D10/46.2
4,377,191 A 3/1983 Yamaguchi
4,875,576 A 10/1989 Torgimson et al.
D347,969 S 6/1994 Cousins et al.
5,423,452 A 6/1995 Tardif
D373,050 S 8/1996 Brewer et al.
D403,921 S 1/1999 Zirbes
D405,561 S 2/1999 Willinger et al.
D412,448 S * 8/1999 Bentson D10/46.2
D447,012 S 8/2001 Owens et al.
D452,417 S 12/2001 Whitmore et al.
D477,186 S 7/2003 de Groote et al.
6,619,230 B1 9/2003 Kimbrough et al.

(57) **CLAIM**
The ornamental design for a collapsible container with integral clip, as shown and described.

DESCRIPTION

FIG. 1 is a front-facing perspective view of collapsible container with integral clip showing my new design; FIG. 2 is a top plan view thereof; FIG. 3 is a bottom plan view thereof; FIG. 4 is a right-side elevational view thereof; FIG. 5 is a left-side elevational view thereof; FIG. 6 is a front elevational view thereof; and, FIG. 7 is a rear elevational view thereof.

1 Claim, 6 Drawing Sheets



US D701,424 S

Page 2

(56)

References Cited

U.S. PATENT DOCUMENTS

D682,617 S *	5/2013	Miksovsky et al.	D7/512	D684,190 S *	6/2013	Ridl et al.	D14/491
8,448,813 B2 *	5/2013	Vanderberg et al.	220/666	D696,074 S *	12/2013	Shamoon	D7/584
				2005/0127073 A1 *	6/2005	Kusuma et al.	220/6

* cited by examiner

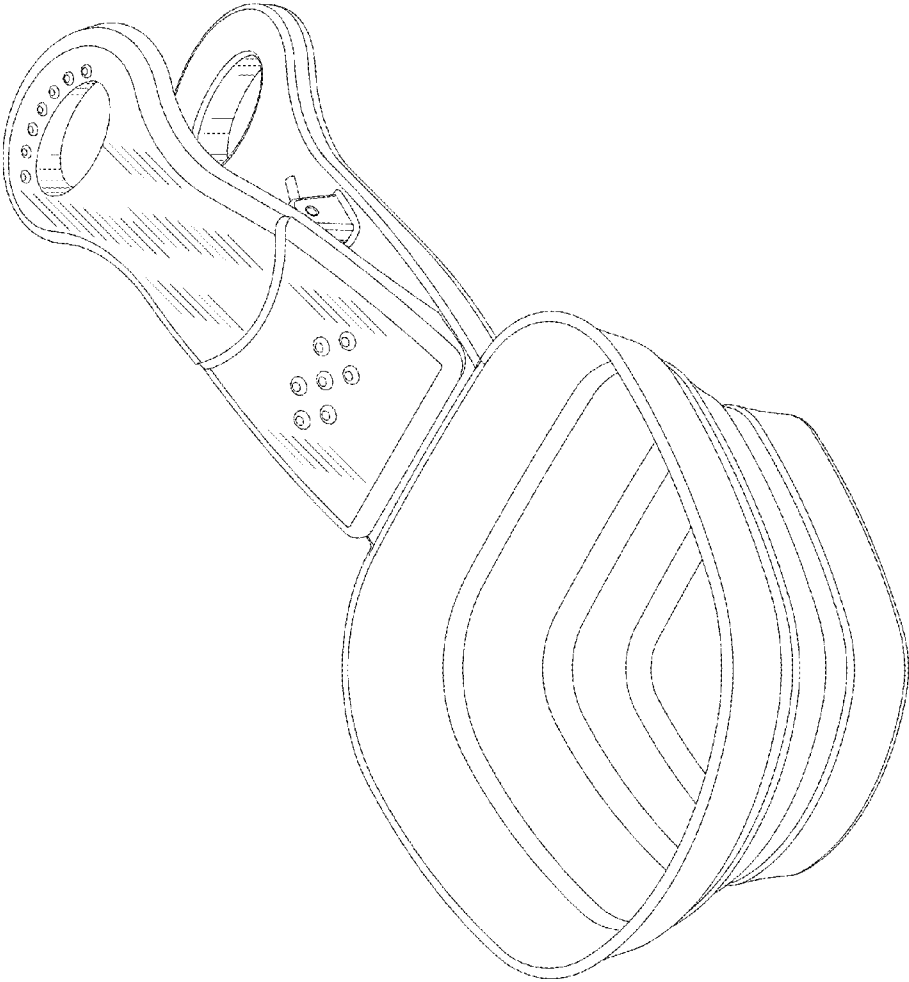


Fig. 1

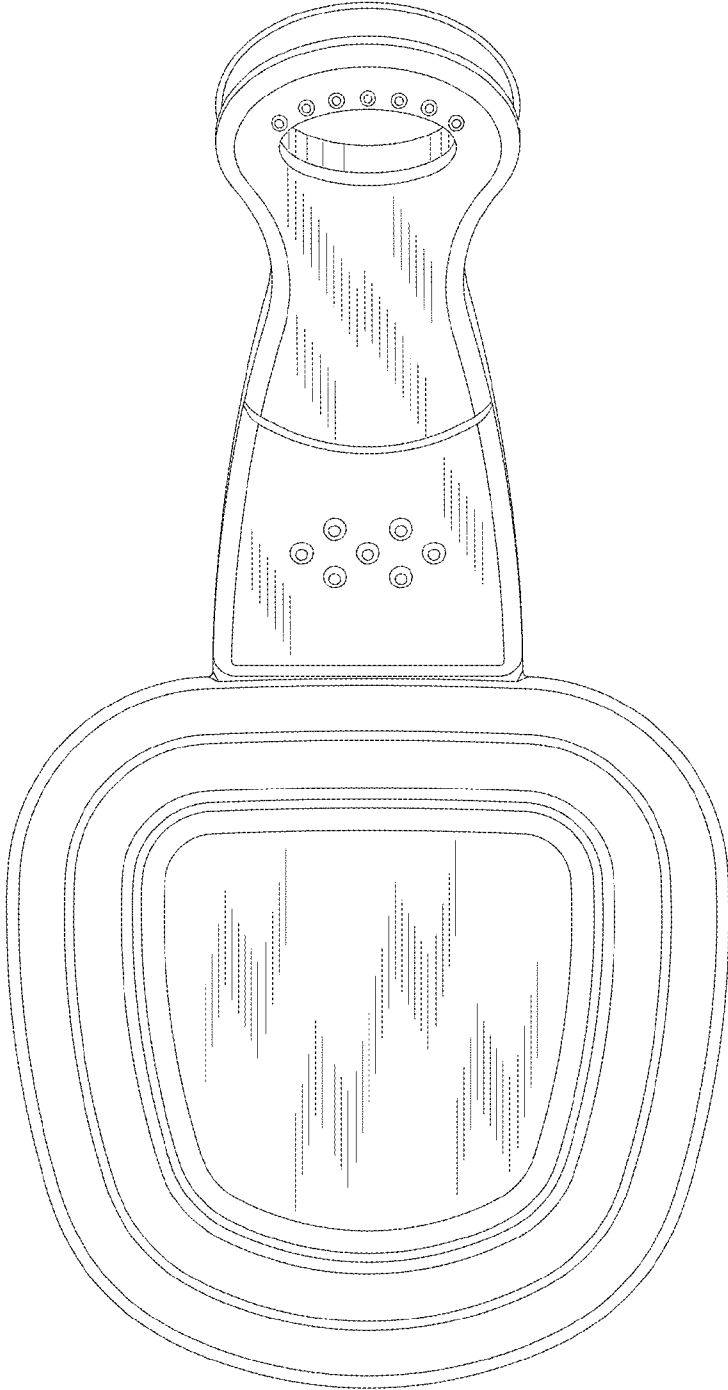


Fig. 2

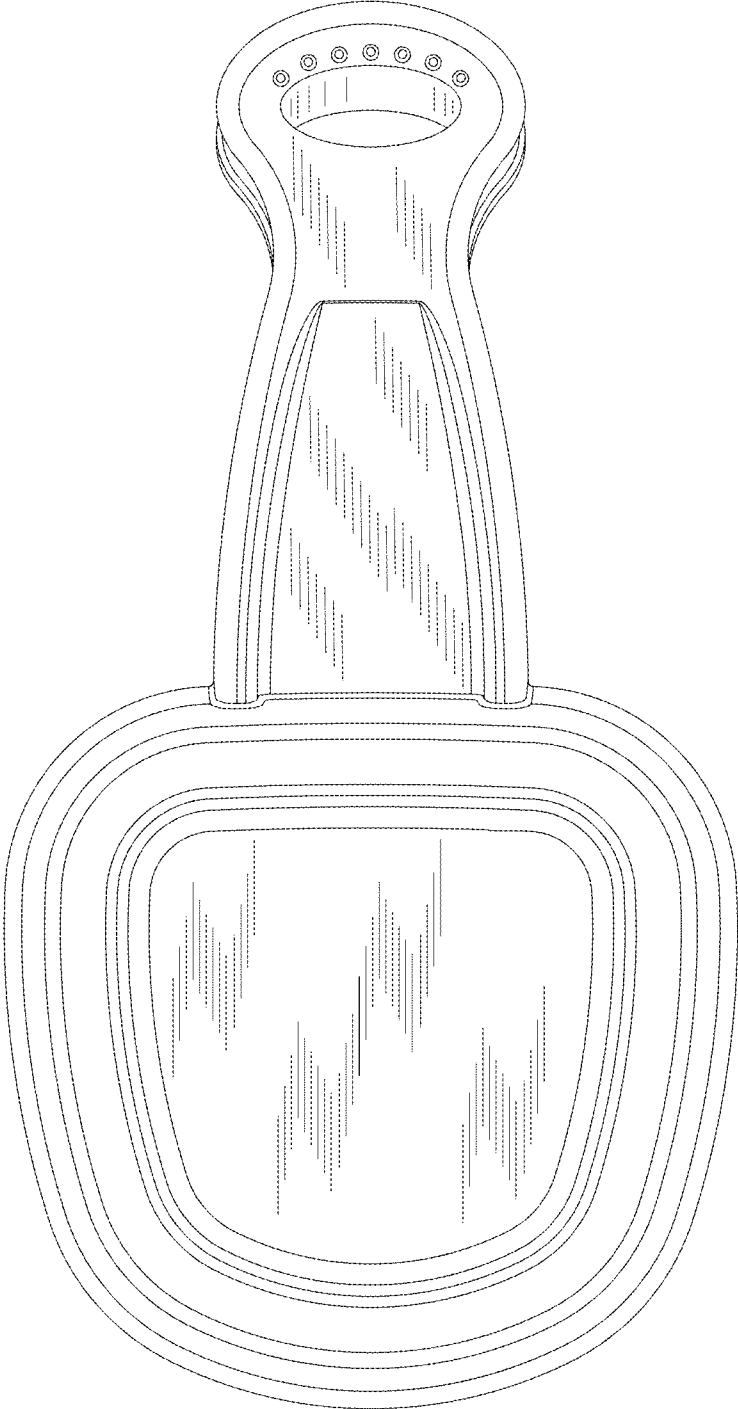


Fig. 3

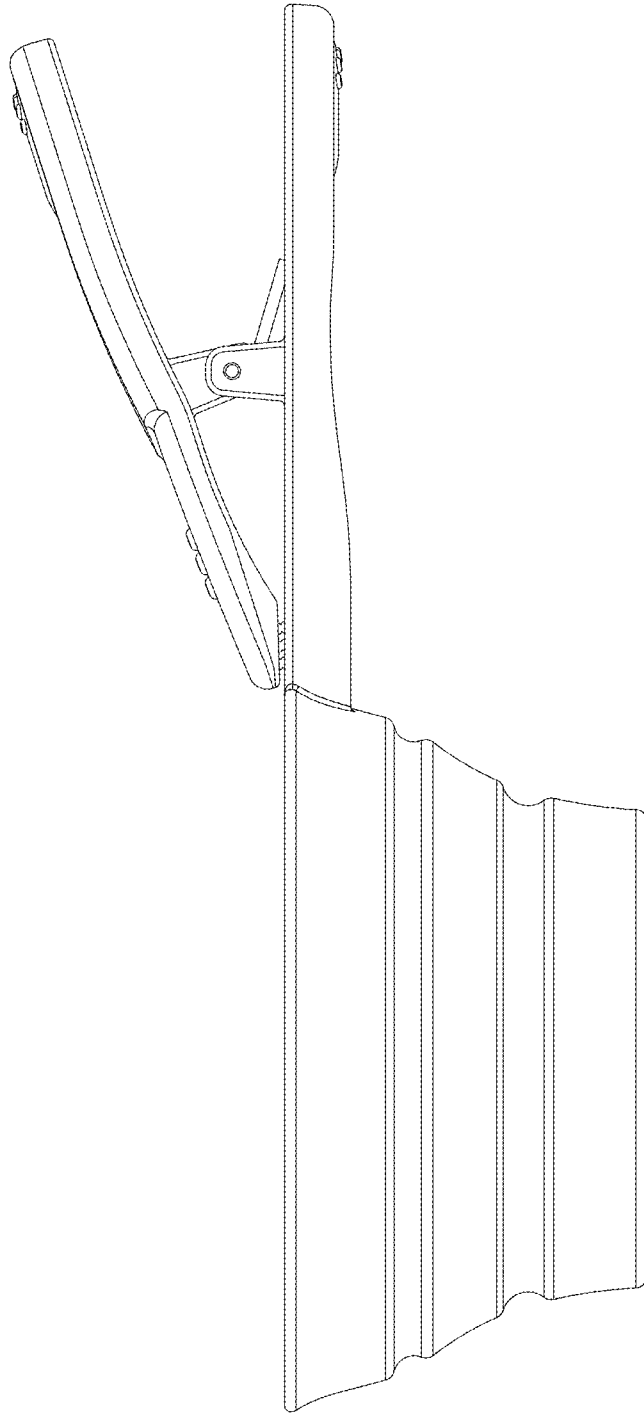


Fig. 4

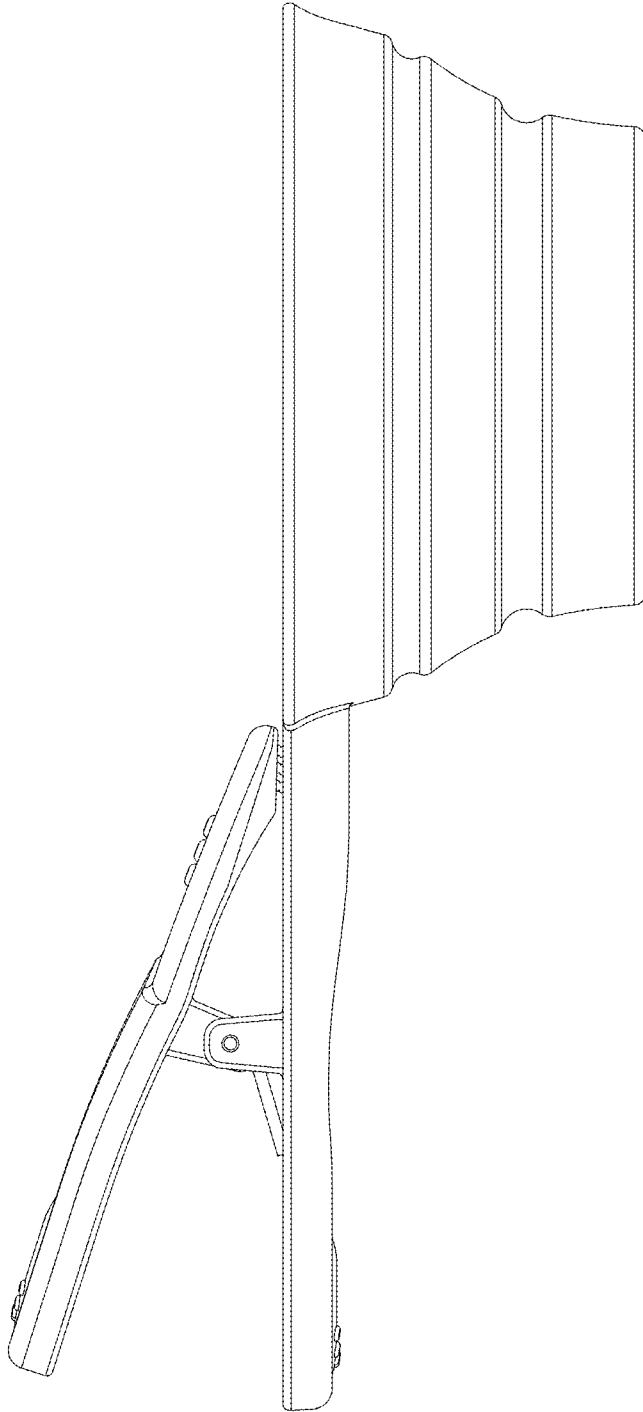


Fig. 5

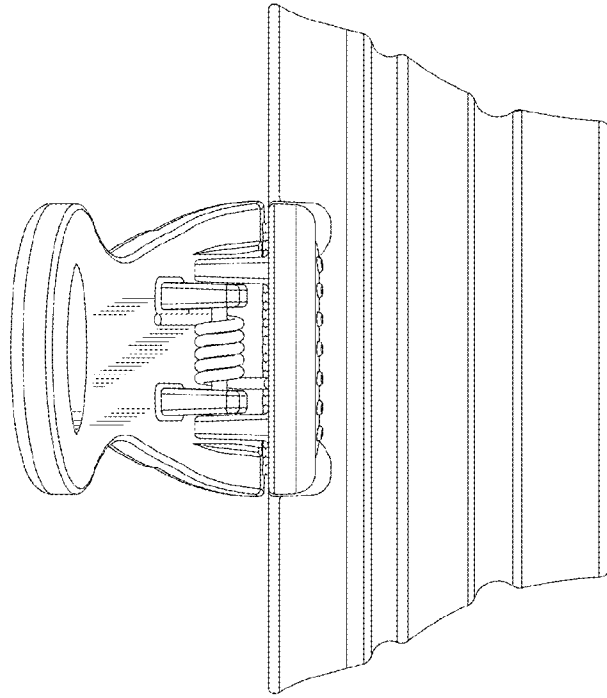


Fig. 6

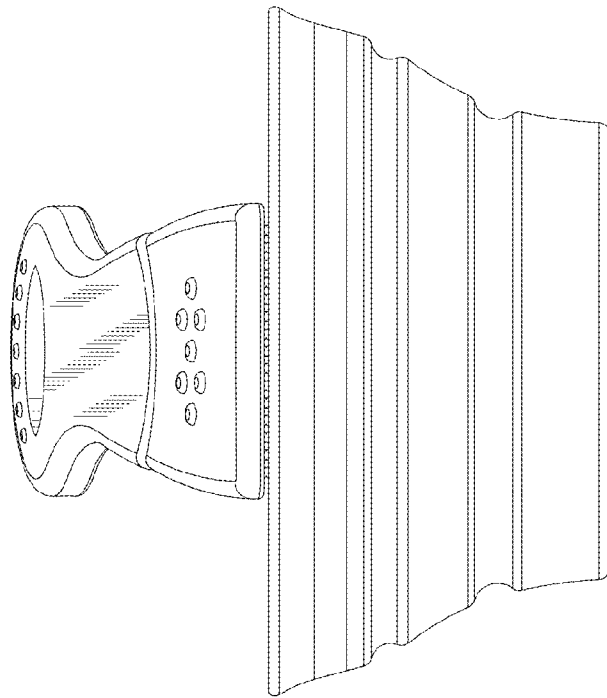


Fig. 7