



US0D1021997S

(12) **United States Design Patent**  
**Liu**

(10) **Patent No.:** **US D1,021,997 S**

(45) **Date of Patent:** **\*\* Apr. 9, 2024**

(54) **BULLET SURVEILLANCE CAMERA**

(71) Applicant: **Shenzhen Daxinyuncun Technology Co., Ltd**, Guangdong (CN)

(72) Inventor: **Jianxiong Liu**, Guangdong (CN)

(\*\*) Term: **15 Years**

(21) Appl. No.: **29/861,589**

(22) Filed: **Nov. 30, 2022**

(51) **LOC (14) Cl.** ..... **16-01**

(52) **U.S. Cl.**  
USPC ..... **D16/203**

(58) **Field of Classification Search**  
USPC ..... D16/200, 202-206, 218, 219, 242  
CPC ..... G03B 17/02; G03B 19/04; G03B 17/56;  
G03B 17/04; G03B 15/03; H04N 23/50;  
H04N 23/51; H04N 23/54; H04N 23/55;  
H04N 23/62; H04N 23/63; H04N 7/181;  
H04N 7/183; H04N 7/18  
See application file for complete search history.

(56) **References Cited**

**U.S. PATENT DOCUMENTS**

D810,170 S *	2/2018	Geng	.....	D16/203
D829,802 S *	10/2018	Park	.....	D16/203
D940,226 S *	1/2022	Wang	.....	D16/203
D960,954 S *	8/2022	Liu	.....	D16/203
D963,727 S *	9/2022	Lin	.....	D16/214

D963,728 S *	9/2022	Liu	.....	D16/203
D965,665 S *	10/2022	Zhang	.....	D16/203
D972,618 S *	12/2022	Li	.....	D16/203
D995,606 S *	8/2023	Pi	.....	D16/203
D997,228 S *	8/2023	Xing	.....	D16/203

\* cited by examiner

*Primary Examiner* — Ramzi Almatrahi

(74) *Attorney, Agent, or Firm* — Che-Yang Chen; Law Office of Michael Chen

(57) **CLAIM**

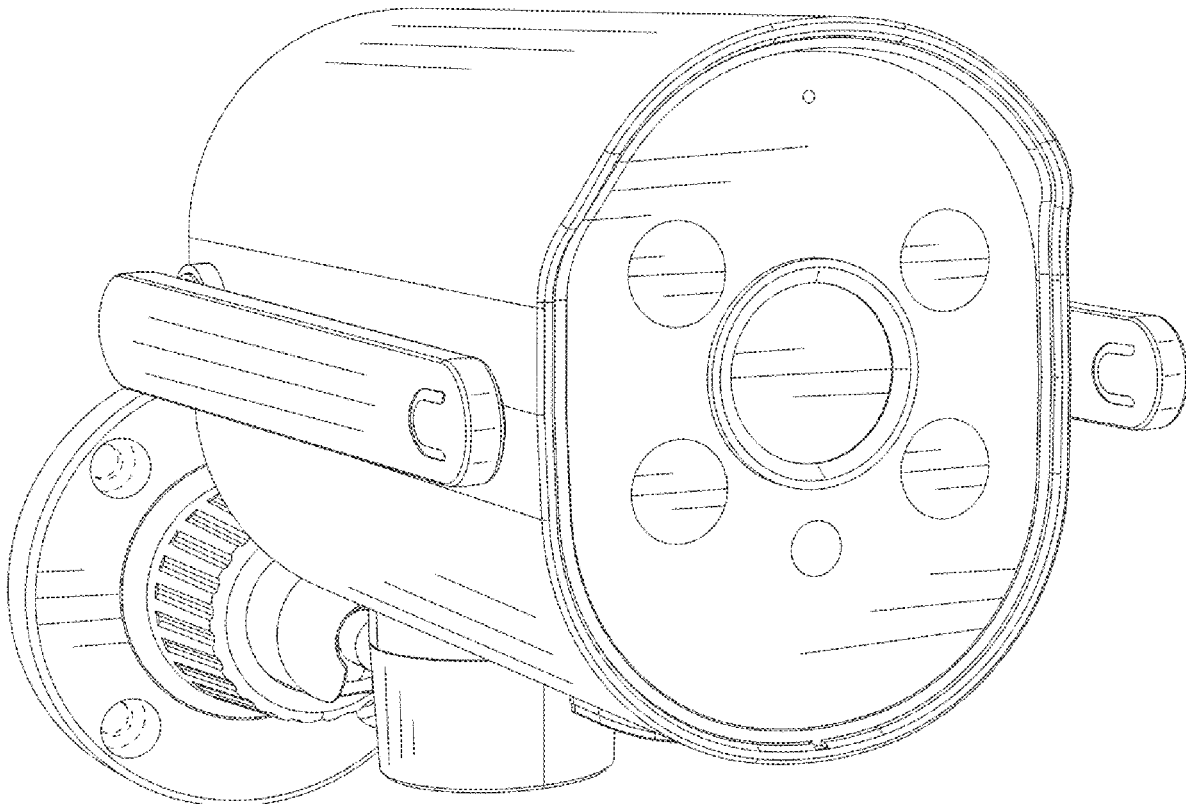
The ornamental design for a bullet surveillance camera, as shown and described.

**DESCRIPTION**

FIG. 1 is a perspective view of a bullet surveillance camera showing my new design;  
FIG. 2 is a front elevational view thereof;  
FIG. 3 is a rear elevational view thereof;  
FIG. 4 is a left side elevational view thereof;  
FIG. 5 is a right side elevational view thereof;  
FIG. 6 is a top plan view thereof; and,  
FIG. 7 is a bottom plan view thereof.

The broken lines depict portions of the bullet surveillance camera in which the design is embodied that form no part of the claimed design.

**1 Claim, 7 Drawing Sheets**



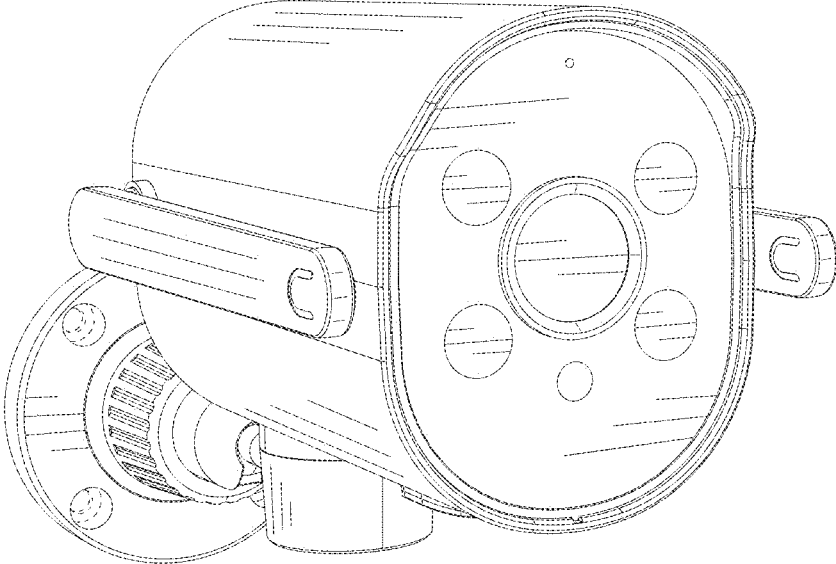


FIG. 1

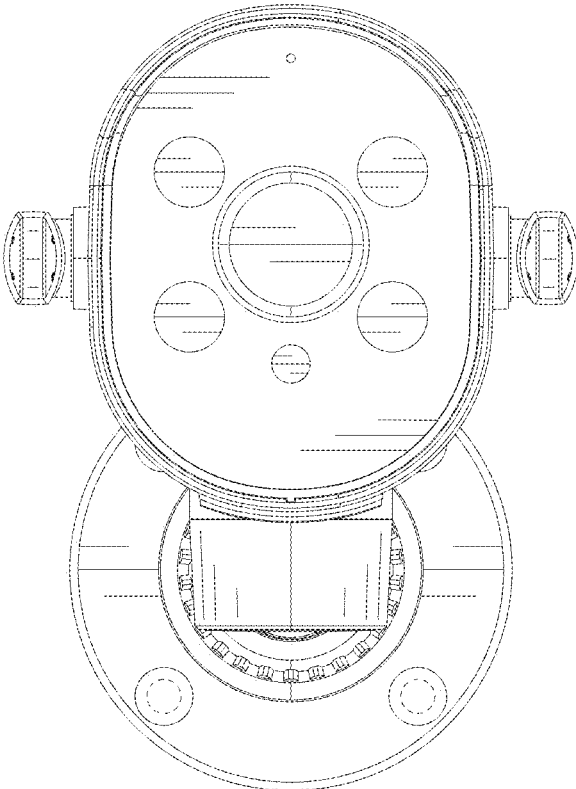


FIG. 2

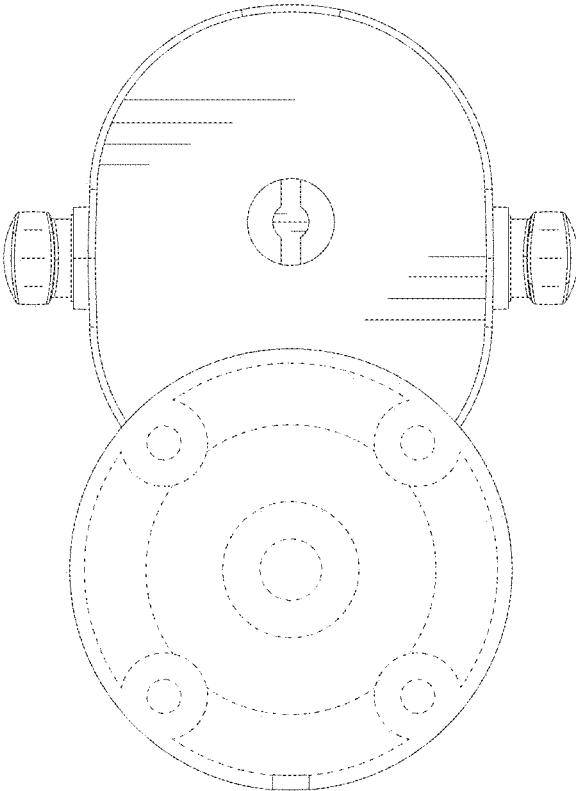


FIG. 3

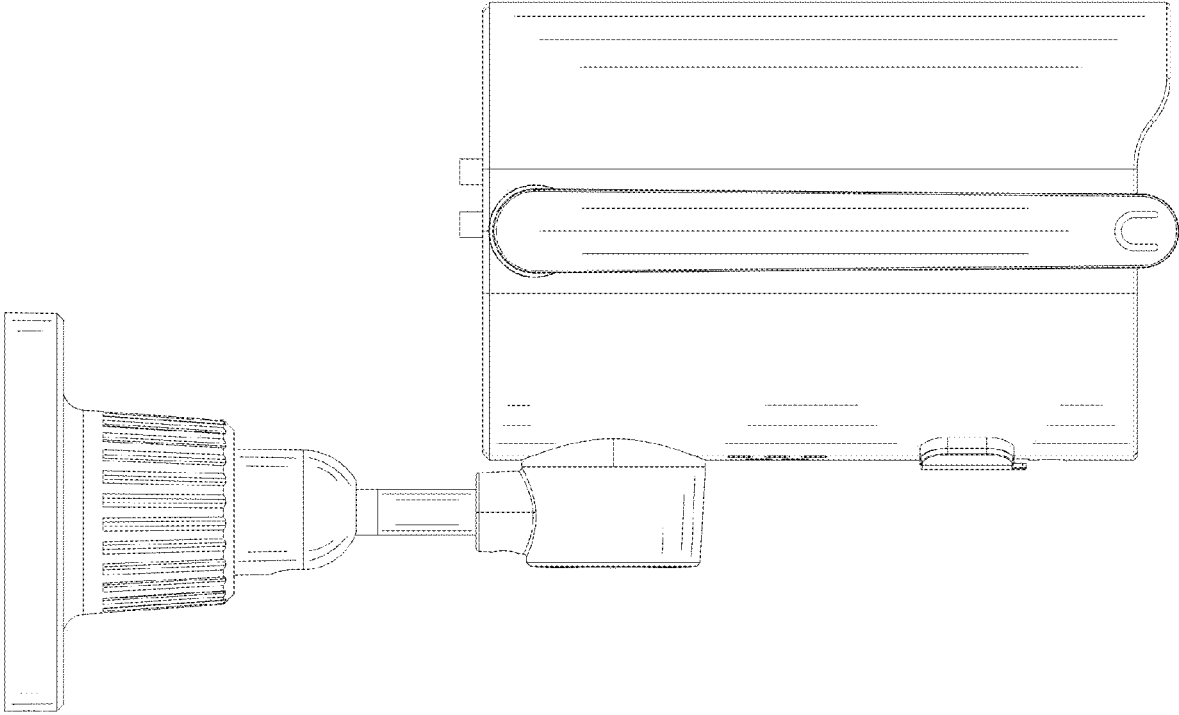


FIG. 4

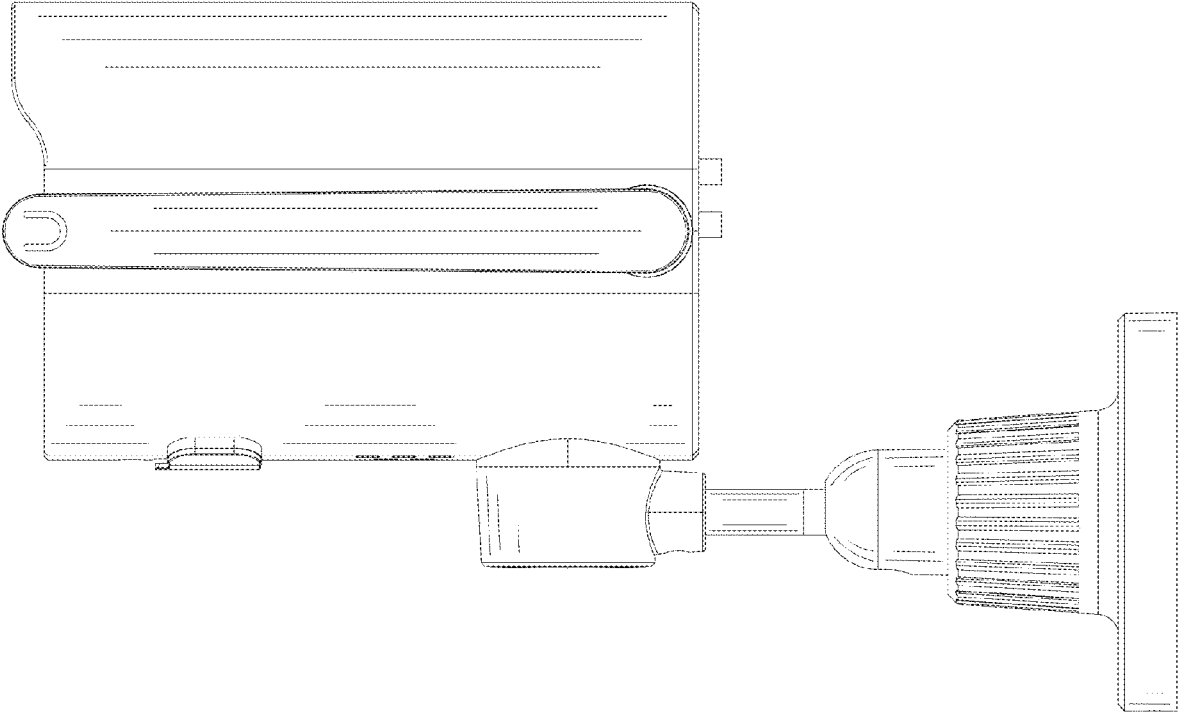


FIG. 5

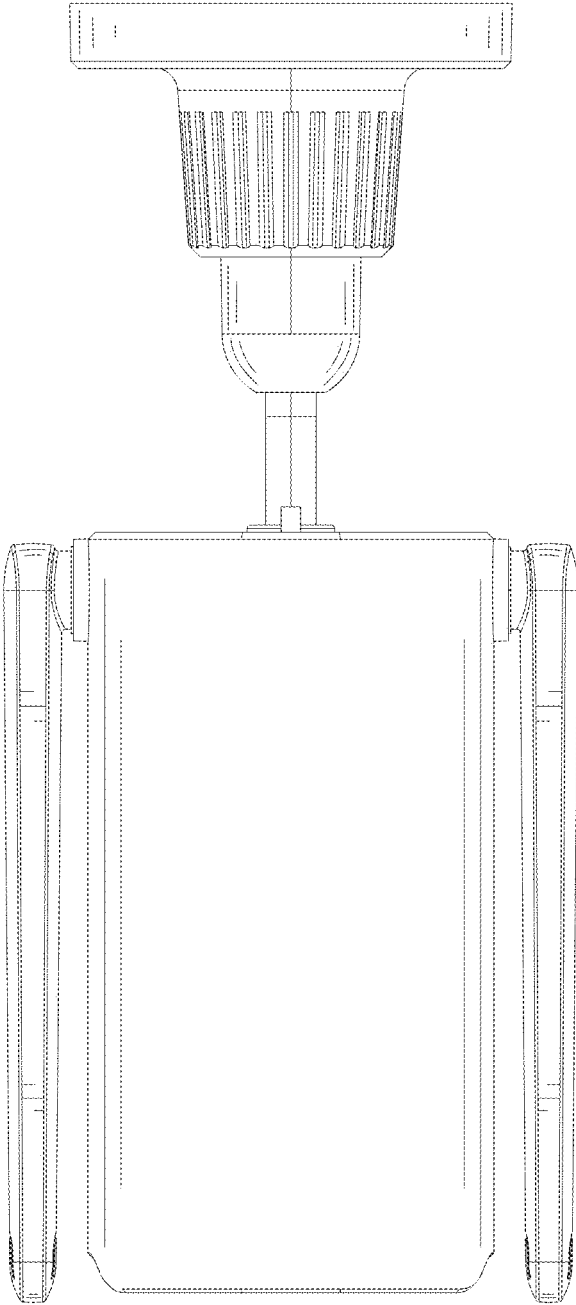


FIG. 6

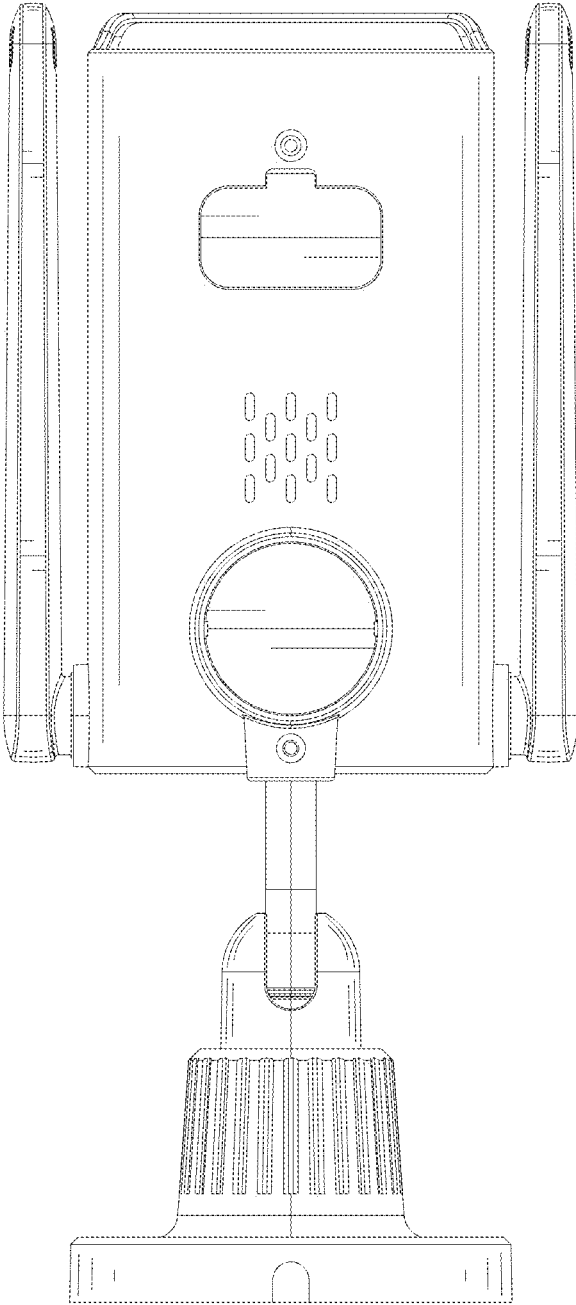


FIG. 7