



US00D899072S

(12) **United States Design Patent**
Nelson

(10) **Patent No.:** **US D899,072 S**
(45) **Date of Patent:** **** Oct. 20, 2020**

(54) **WALKING AID ATTACHMENT**
(71) Applicant: **Craig Nelson**, Seattle, WA (US)
(72) Inventor: **Craig Nelson**, Seattle, WA (US)
(**) Term: **15 Years**
(21) Appl. No.: **29/718,818**
(22) Filed: **Dec. 30, 2019**
(51) **LOC (12) Cl.** **03-03**
(52) **U.S. Cl.**
USPC **D3/10**
(58) **Field of Classification Search**
USPC D3/5, 6, 7, 8, 9, 10, 17; D8/3, 70, 355,
D8/363, 373, 382, 394; D22/108
CPC A45B 1/00; A45B 1/02; A45B 3/00; A45B
3/14; A45B 9/00; A45B 2009/002; A45B
9/04; A61H 3/04; A61H 3/02; A61H
2003/0222; A61H 3/0288
See application file for complete search history.

4,434,808 A * 3/1984 Burak A61H 3/0288
135/70
4,450,850 A * 5/1984 McKenna A61H 3/0288
135/78
4,809,724 A * 3/1989 Fuser A45B 11/00
135/16
4,917,126 A * 4/1990 Ellmore A61H 3/02
135/69
D351,775 S * 10/1994 Wedler D8/70
D351,977 S * 11/1994 Snoop D8/70

(Continued)

Primary Examiner — Steven J Czyz

(57) **CLAIM**

I claim the ornamental design for a walking aid attachment, as shown and described.

DESCRIPTION

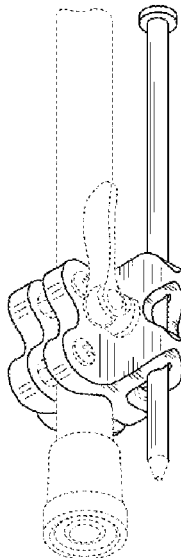
FIG. 1 is a left-side view of the walking aid attachment
FIG. 2 is a right-side view thereof
FIG. 3 is a front-side view thereof
FIG. 4 is a back-side view thereof
FIG. 5 is a top-end view thereof
FIG. 6 is a bottom-end view thereof
FIG. 7 is a perspective view thereof
FIG. 8 is a second perspective view thereof
FIG. 9 is a front view of the walking aid attachment shown in a first alternate state
FIG. 10 is a front view of the walking aid attachment shown in a second alternate state; and,
FIG. 11 is a front view of the walking aid attachment shown in a third alternate state.
The dash-dash-dash broken lines depict portions of the article that form no part of the claimed design.
The dot-dash-dot lines indicate the boundary of the claim and form no part of the claimed design.
Shading lines within the figures are for the purpose of illustrating the walking aid attachment's shape and are not features of the design.

(56) **References Cited**

U.S. PATENT DOCUMENTS

1,304,978 A * 5/1919 Herrold et al. A61H 3/0288
135/70
1,314,000 A * 8/1919 Lansky et al. A61H 3/0288
135/80
1,518,382 A * 12/1924 Beecroft A61H 3/0288
135/80
1,523,703 A * 1/1925 Morfitt A61H 3/0288
135/80
1,564,109 A * 12/1925 Ponsolle E04H 12/2276
52/297
D182,146 S * 2/1958 Sharp et al. D22/108
2,970,630 A * 2/1961 Larsen A45B 9/04
248/532
3,170,475 A * 2/1965 Forbes A45B 3/00
135/80
3,304,035 A * 2/1967 Davis A63B 55/60
248/516

1 Claim, 9 Drawing Sheets



(56)

References Cited

U.S. PATENT DOCUMENTS

D356,901 S *	4/1995	Schoenig	D6/681.1	7,398,791 B2 *	7/2008	Tucker	A45B 3/00
D386,323 S *	11/1997	Davis	D3/10					135/65
D389,334 S *	1/1998	Attridge	D3/10	D609,494 S *	2/2010	Jenkins, Sr.	D3/10
D415,239 S *	10/1999	Fell	D22/108	D632,069 S *	2/2011	Thiessens	D3/7
5,961,012 A *	10/1999	Bucher	A47G 25/82	D650,263 S *	12/2011	Barrese	D8/376
				223/118	D654,552 S *	2/2012	Wu	D22/108
6,082,157 A *	7/2000	Boyce	A45B 3/00	D655,531 S *	3/2012	Gharst	D3/10
				109/23	8,141,839 B2 *	3/2012	Buchner	A63B 55/408
D433,224 S *	11/2000	Cochran, Jr.	D3/10					248/229.15
6,182,877 B1 *	2/2001	Rolfe	A45B 1/00	D657,840 S *	4/2012	Prieto	D22/108
				135/66	D727,830 S *	4/2015	Arboix	D12/400
6,216,713 B1 *	4/2001	Kennan	A45B 9/04	9,103,090 B2 *	8/2015	Bushore	E04H 12/20
				135/77	9,107,482 B1 *	8/2015	Boelter	A45B 3/00
D454,479 S *	3/2002	Kolpin	D8/349	D739,710 S *	9/2015	Bukovitz	D4/199
6,550,490 B1 *	4/2003	Morton	A45B 3/00	D740,543 S *	10/2015	Winters	D3/5
				135/65	D759,956 S *	6/2016	McQuaid	D3/10
D474,012 S *	5/2003	Beltran	D3/10	D764,257 S *	8/2016	Gastelum	D8/355
6,557,571 B1 *	5/2003	Schultz	A61H 3/02	9,476,541 B1 *	10/2016	Kastner	F16M 13/02
				135/114	D808,693 S *	1/2018	Belitz	D6/682.5
7,293,827 B2 *	11/2007	Schrader	A45B 3/00	D809,774 S *	2/2018	Brady	D3/10
				135/66	D828,058 S *	9/2018	Khanicheh	D6/681
					D834,403 S *	11/2018	Mercieca	D8/382
					D860,628 S *	9/2019	Hu	D3/10
					10,413,026 B1 *	9/2019	Grivna	F16B 7/0433

* cited by examiner

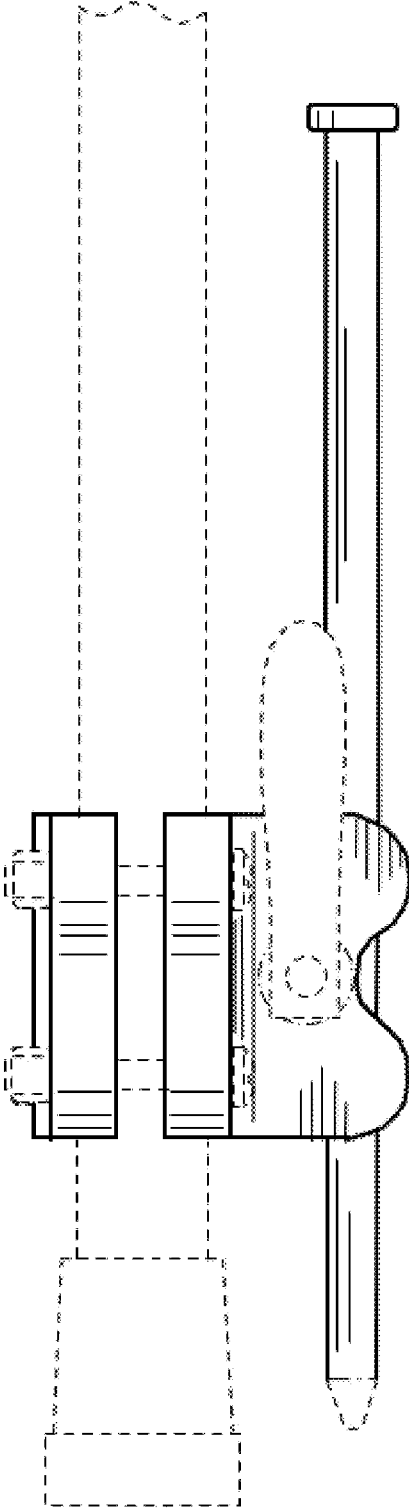


Fig 1

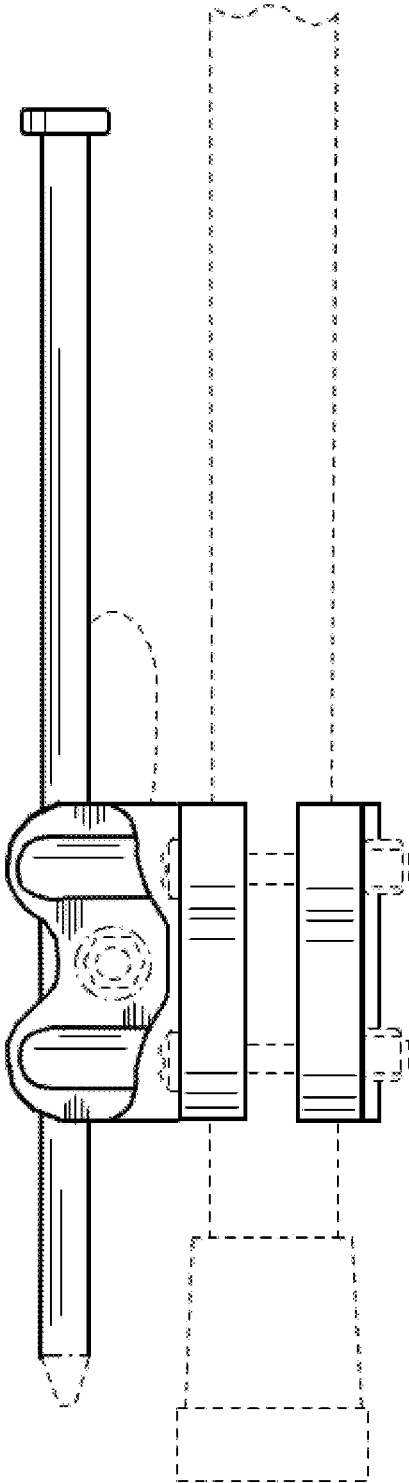


Fig 2

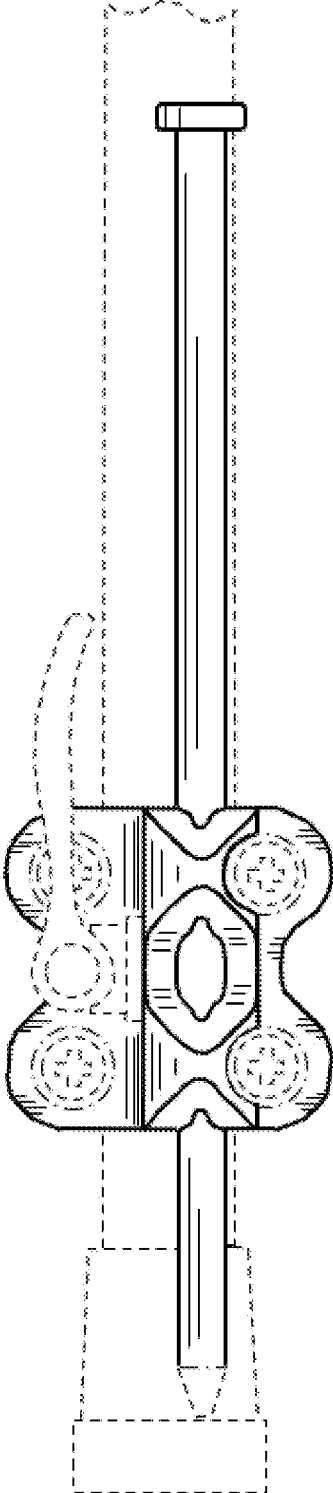


Fig 3

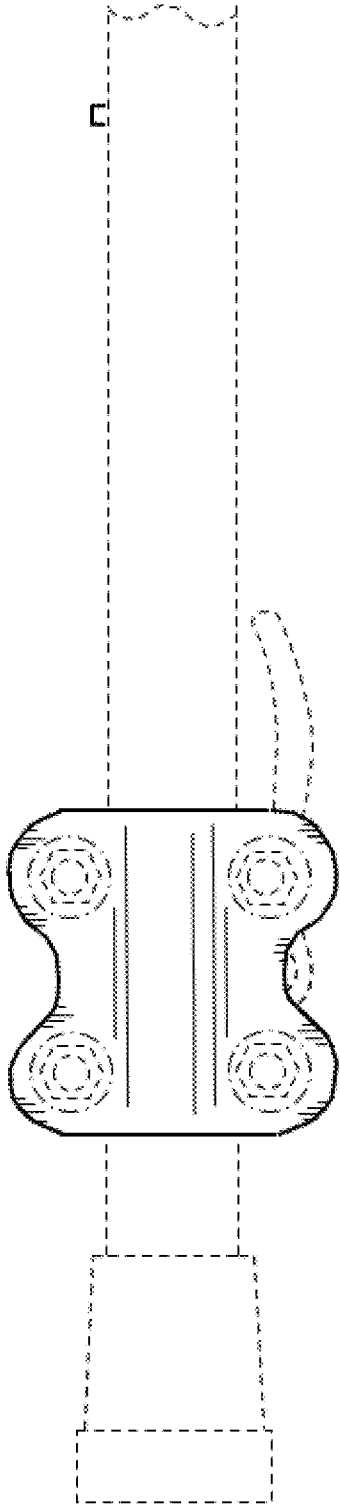


Fig 4

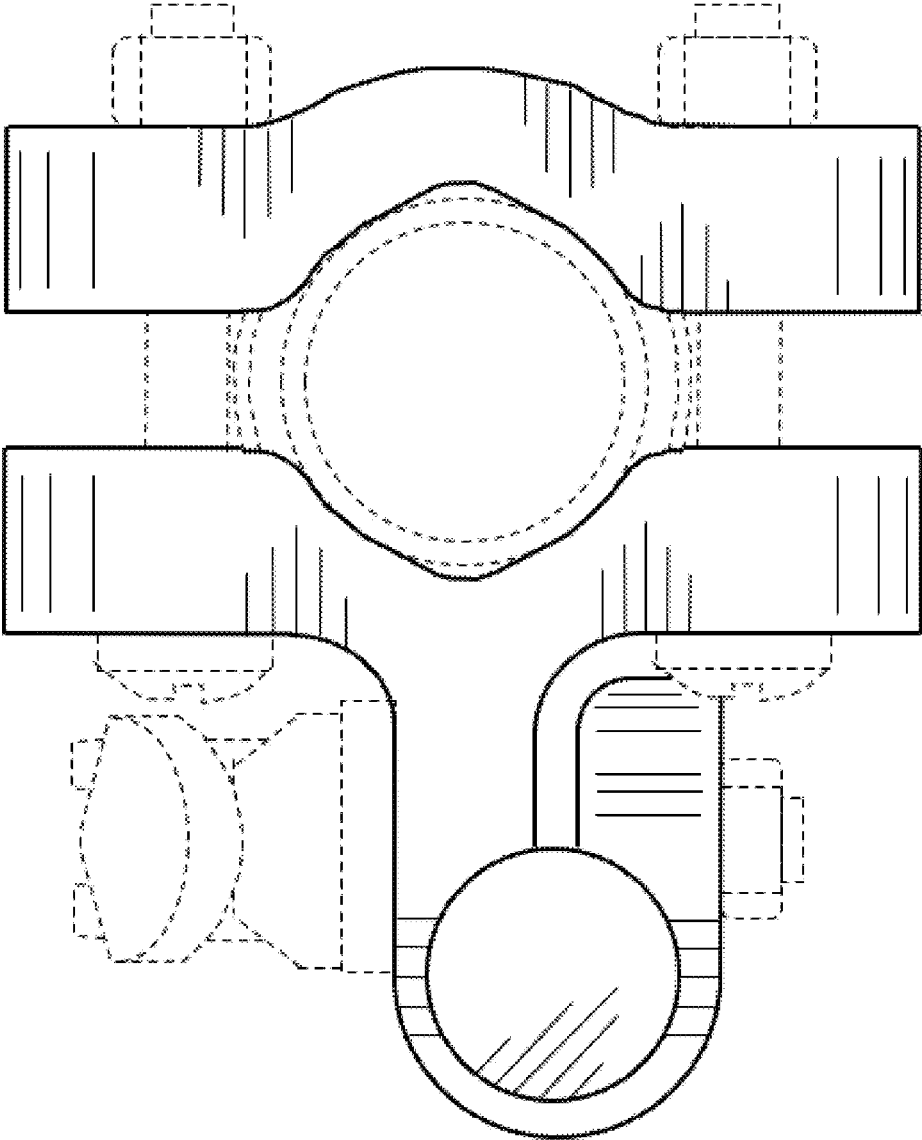


Fig 5

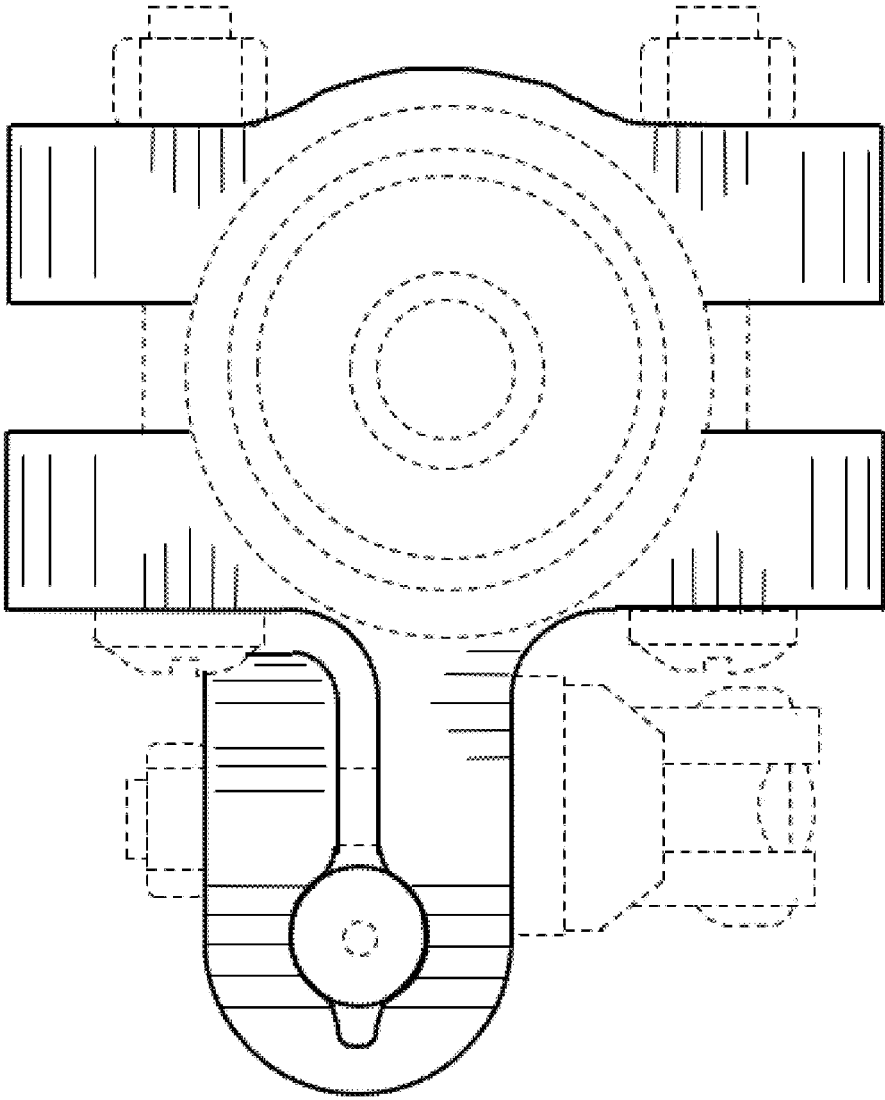


Fig 6

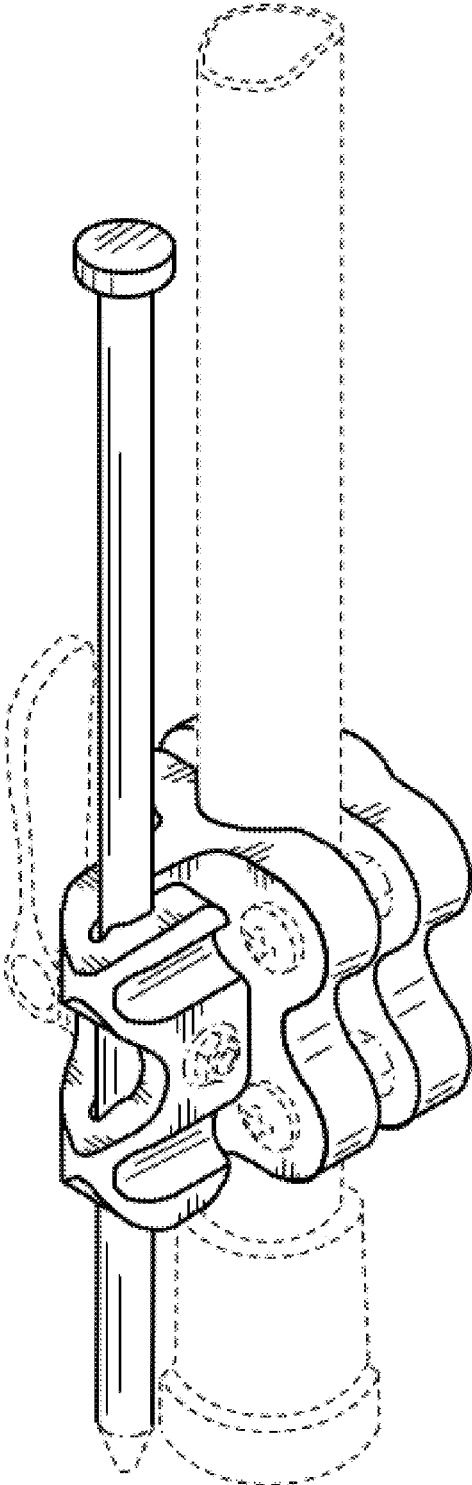


Fig 7

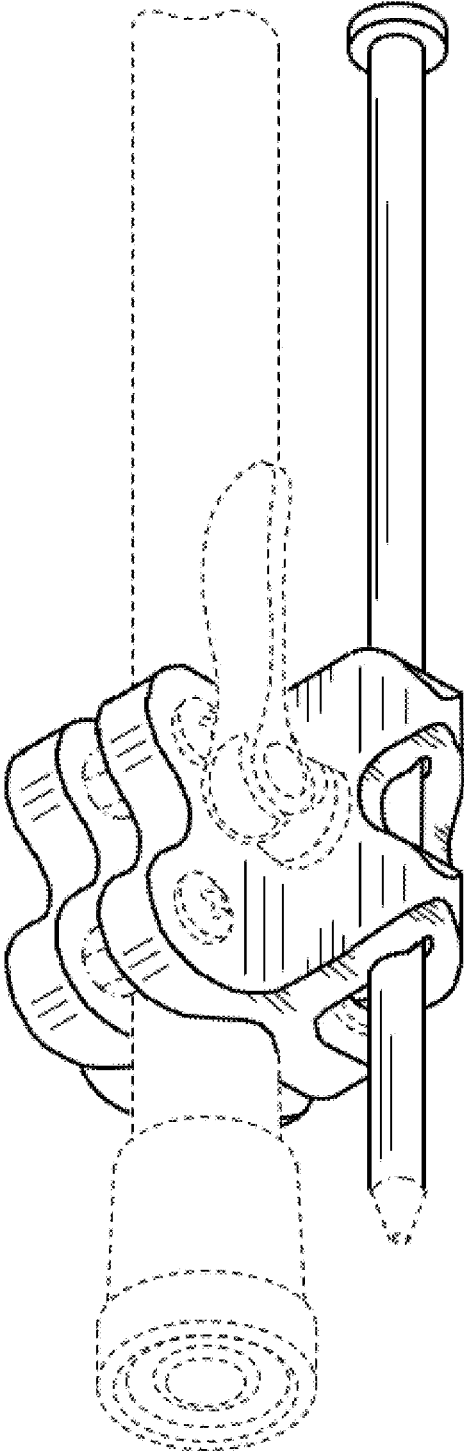


Fig 8

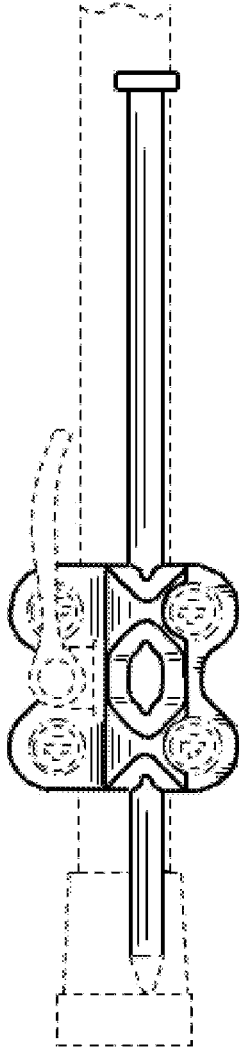


Fig 9

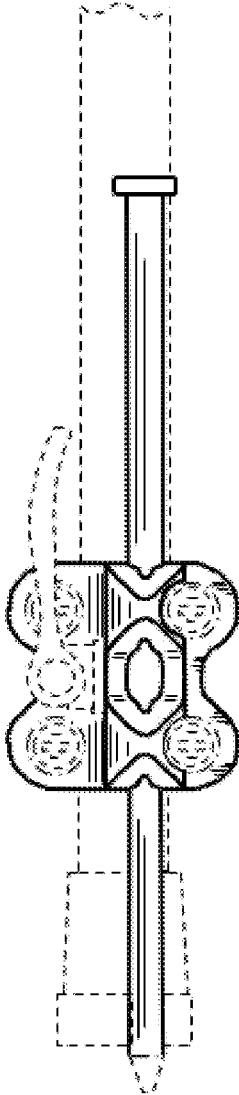


Fig 10

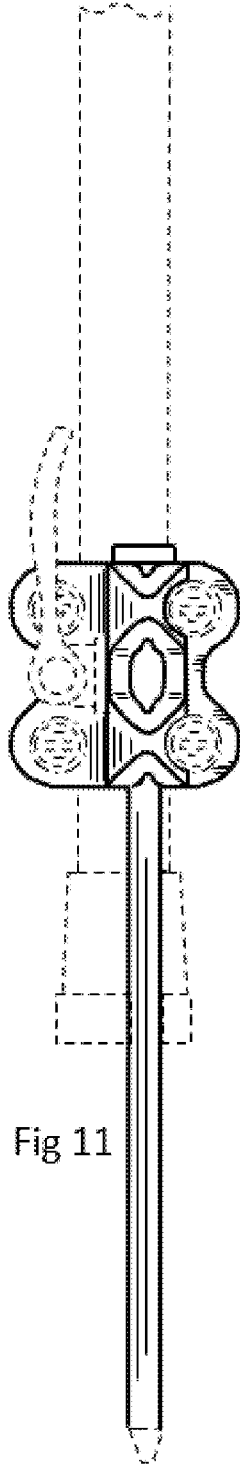


Fig 11