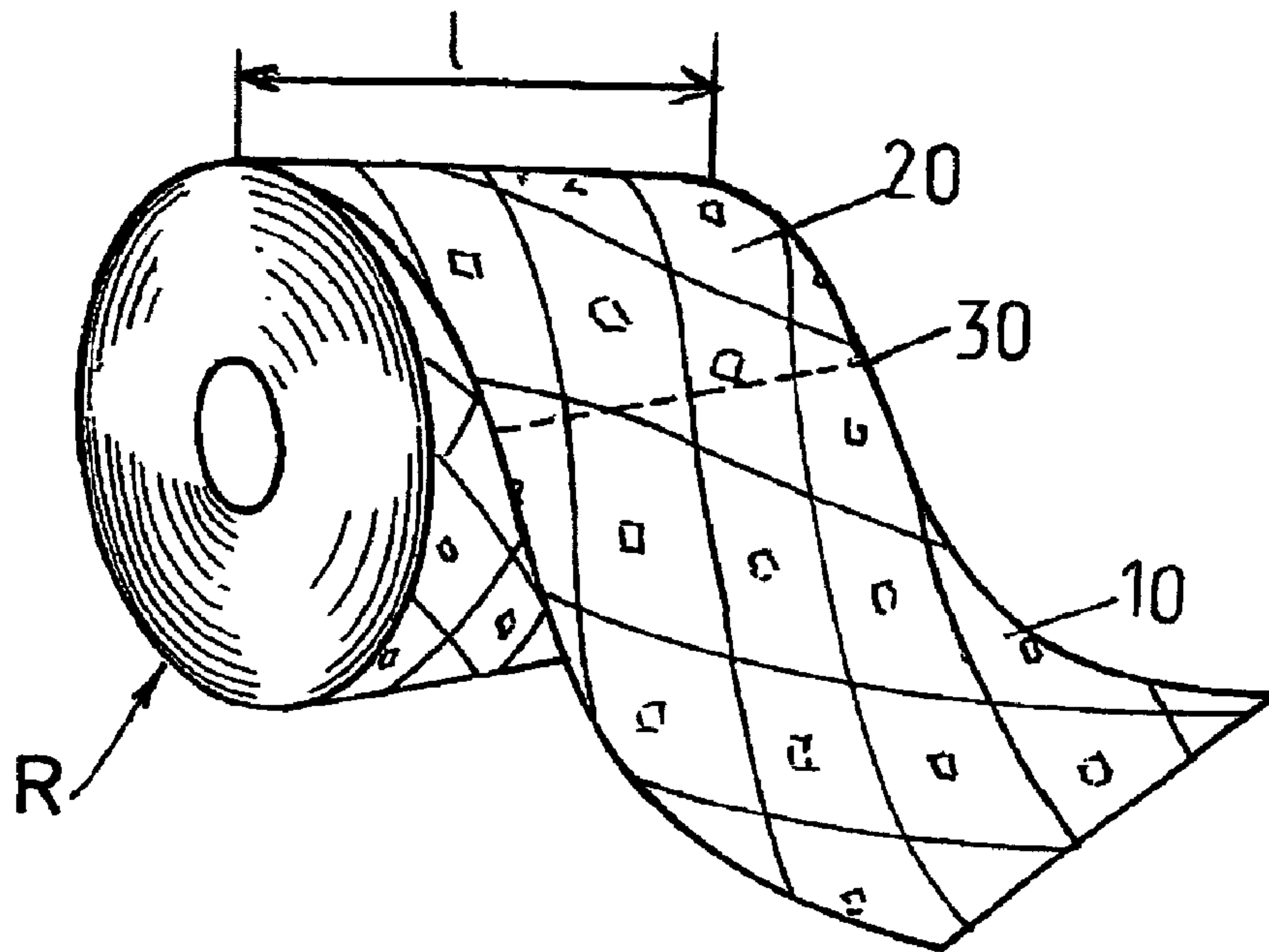




(86) **Date de dépôt PCT/PCT Filing Date:** 2008/04/03
 (87) **Date publication PCT/PCT Publication Date:** 2008/11/27
 (45) **Date de délivrance/Issue Date:** 2015/03/17
 (85) **Entrée phase nationale/National Entry:** 2009/10/08
 (86) **N° demande PCT/PCT Application No.:** FR 2008/000459
 (87) **N° publication PCT/PCT Publication No.:** 2008/142264
 (30) **Priorité/Priority:** 2007/04/13 (FR0702685)

(51) **Cl.Int./Int.Cl. A47K 10/16** (2006.01)
 (72) **Inventeur/Inventor:**
 BARREDO, DONALD, FR
 (73) **Propriétaire/Owner:**
 GEORGIA-PACIFIC FRANCE, FR
 (74) **Agent:** RIDOUT & MAYBEE LLP

(54) **Titre : ROULEAU DE FEUILLES DE PRODUIT ABSORBANT DE TYPE PAPIER TOILETTE**
 (54) **Title: ROLL OF SHEETS OF ABSORBENT PRODUCT OF THE BATHROOM TISSUE TYPE**



(57) **Abrégé/Abstract:**

The subject of the present invention is a roll for use as bathroom tissue, formed of a rolled strip of a cellulose-fiber product, said strip comprising at least three superposed and associated plies (1, 2, 3), said strip having a tensile strength R_{ST} across its width (1).

According to the invention, the product P of the total thickness E of the strip times its strength R_{ST} is greater than 190 mm.N/m, E being expressed in mm and R_{ST} in N/rn.

ABSTRACT

The subject of the present invention is a roll for use as bathroom tissue, formed of a rolled strip of a cellulose-fiber product, said strip comprising at least three superposed and associated plies (1, 2, 3), said strip having a tensile strength R_{ST} across its width (1).

According to the invention, the product P of the total thickness E of the strip times its strength R_{ST} is greater than 190 mm.N/m, E being expressed in mm and R_{ST} in N/m.

Figure 1

ROLL OF SHEETS OF ABSORBENT PRODUCT OF THE BATHROOM
TISSUE TYPE

5 The present invention relates to the field of tissue products for sanitary or domestic use and is aimed in particular at products in rolls, such as rolls of bathroom tissue (or toilet paper) and the like.

10 The subject of the present invention is a roll made up of items based on (or essentially made of) a cellulose-fiber product. More specifically and according to a preferred embodiment, the subject of the invention is a roll in which certain sheets, and more preferably still in which each sheet of which it is made, has particular
15 features associated with its thickness and its tensile strength.

Products of the aforementioned type packaged in the form of rolls are already known, in general. In these
20 rolls, the sheets of product to be dispensed are customarily rolled onto a central core of cylindrical cross section made of cardboard or the like. In the field in question, said rolled sheets of interest to the user are conventionally made from cellulose-fiber
25 products made of (or predominantly made of) tissue and assembled in the form of one or more bonded superposed plies, it being possible for said sheets to be separated from one another, in the direction perpendicular to the direction in which the sheets are
30 unrolled, along perforated, so-called precut, lines allowing one or more sheets to be torn or removed from the roll.

In the case of rolls of multi-ply sheets, the various
35 superposed plies are, depending on the use for which the sheet is intended and/or on the requirements dictated by the consumers and/or production constraints, held together more or less securely

depending on the various techniques used to assemble said plies.

Most often, the plies in a multi-ply product made
5 essentially of tissue are associated by applying an
adhesive between said plies. Said adhesive bonding is
performed using any adhesive product generally used in
the field of sanitary and domestic papers for combining
plies with one another, such as, for example a
10 polyvinyl alcohol in aqueous solution. This association
by adhesive bonding may be combined with another type,
which is also conventional, of combination of plies
which is purely mechanical and consists in locally
deforming the plies by crushing them so that the plies,
15 imbricated in one another under the pressure of a
cylinder, are held together once the association
operation is over.

Upwards of a certain number of plies that need to be
20 associated, particularly when more than three plies or
groups of plies are to be associated, various kinds of
problems may arise.

First of all, there are purely technical problems of
25 associating the plies. There are various known ways of
overcoming these. However, in most cases, the thick
sheets are not flexible. "Thick" here means "more than
0.75 mm thick".

30 Furthermore, it is known that the thickness may detract
from the bond between the successive sheets, at the
precut lines which usually form the connection between
the sheets that form the roll. Problems of breakage
here have already been observed: for example, the
35 sheets become detached from one another while they are
still on the roll itself.

Surprisingly and unexpectedly, the rolls according to
the invention do not display such disadvantages.

Furthermore, sheets that are excessively rigid are unsuitable for use as bathroom tissue.

5 Incidentally, as far as the making of rolls is concerned, the sheets of which the rolls are formed need to be able to be rolled up easily, even at the center of the roll where the radius of curvature is the smallest.

10

Another parameter that is very important to applications to bathroom tissue has to do with the thickness and the strength, in the dry state, of the sheets of which the roll is formed.

15

As can be seen from the table hereinafter, and contrary to received wisdom, when the existing products are thick, they are not particularly strong for all that, particularly in the transverse direction, that is to say in the direction perpendicular to the direction in which the roll is unrolled.

20

Now, for use as bathroom tissue, it is very important for the product to be both thick and strong.

25

Thus, the subject of the invention is a roll for use as bathroom tissue, formed of a rolled strip of a cellulose-fiber product, said strip comprising at least three superposed and associated plies, said strip having a tensile strength R_{ST} across its width.

30

According to the invention, the product P of the total thickness E of the strip times its strength R_{ST} is greater than 190 mm.N/m, E being expressed in mm and R_{ST} in N/m: $P = E \times R_{ST}$ and $P > 190$ mm.N/m.

35

This feature in particular ensures comfort and dependability of use which are entirely remarkable, novel and unexpected.

The invention therefore relates to a multi-ply product where "ply" may be understood to mean a group of plies in that a group of plies is a collection of several plies that are superposed and associated with one another in the wet phase.

According to the invention, at least one of the plies of which said strip is formed is wet laid using a technique of the TAD type.

The ply of the TAD type may preferably be positioned in such a way as to be visible on the outside of the roll.

Without departing from the scope of the invention, at least one of the plies of which said strip is formed is wet laid using a technique of the CWP type.

Furthermore, the basis weight of said strip ranges between 30 and 150 g/m², preferably between 85 and 115 g/m².

Other features, details and advantages of the present invention will become better apparent from reading the description which will follow, given by way of entirely nonlimiting illustration and with reference to the attached drawings in which:

- figure 1 is an example of a roll according to the invention; and
- figure 2 is a cross section of a sheet according to one embodiment of the invention.

Thus, the roll according to the invention is first and foremost intended for use as bathroom tissue. Such a roll corresponds to the following definition: an external diameter in excess of 60 mm, usually of the order of about 100 mm, but which can be as much as 200 or even 300 mm in the case of rolls for away from home use.

The strip of tissue of which the rolls at which the invention is aimed are formed may have a width ranging between 80 and 120 mm and may or may not have precuts
5 (30) running transversal to its length, preferably at regular intervals.

When the precuts (30) are present, a succession of sheets (10, 20) is therefore formed, and, within the
10 meaning of the invention, it is considered that a sheet for use as bathroom tissue has a length ranging between 90 mm and 250 mm, and a width ranging between 80 mm and 120 mm.

15 Furthermore, the sheets are joined together by perforations and tabs, the percentages of which may vary from 10 to 70%; the perforations (or incisions) may or may not be uniformly distributed across the width of the strip.

20 Commonly, the basis weight of such strips ranges between about 70 g/m² and 150 g/m².

25 Furthermore, each ply of which the rolled strip is formed may be made beforehand using the wet laid technique known as CWP, which is well known to those skilled in the art and will not be explained further.

30 The multi-ply rolled strip according to the invention may comprise only plies formed in this way.

Without departing from the scope of the invention, the plies may be wet laid using a TAD (through air drying) technique which is known per se and which, overall,
35 consists in spraying a collection of papermaking fibers onto a screen to form a mat, in transferring this mat onto the surface of a porous drying cylinder, in forcing jets of air from said cylinder through the mat then transferring the plies thus formed onto what is

known as a creping cylinder. One or more plies are thus formed.

Wet laid plies according to the teaching of application
5 EP 1 353 010 may also form part of a sheet according to the invention.

The plies may be associated using an installation that may or may not comprise an adhesive application unit.

10

The invention also relates to multi-ply sheets comprising both plies obtained using a conventional (CWP) technique and plies produced using the TAD technique.

15

The plies of the TAD type may constitute the two exterior faces of such sheets. A very gentle feel is therefore obtained. The internal plies may be produced using a CWP or some other technique.

20

Without departing from the scope of the invention, the external plies may be wet laid using a conventional (CWP) technique and form the two exterior faces of the sheet. In this configuration, the internal plies may be
25 produced using a TAD type technique.

Of course, a combination of plies aimed at obtaining a sheet that has one face formed of a conventional ply and one face formed using a TAD type technique may also
30 be produced without departing from the scope of the invention.

One or the other of the combinations will be selected according to the particular case, that is to say
35 according to the feel, the absorption, the flexibility most desired, or alternatively according to constraints of an economic nature.

Figure 2 provides an example of a sheet comprising three plies 1, 2, 3 which are superposed and associated with one another at certain points 4.

5 Furthermore, it is perfectly conceivable to produce a rolled strip according to the invention without using any adhesive to associate the plies, whatever the nature of each of the plies (or group of plies) of which said rolled strip is formed.

10

In a way which is novel and unexpected it was found that a roll for use as bathroom tissue formed of a rolled strip in which the thickness and the strength in the transverse direction was such that $P = E \times R_{ST} >$
 15 190 mm.N/m had appreciable advantages over the prior art.

The comparative table below gives the following values:

Product	Thickness mm	Strength ST N/m	Product $E \times R_{ST}$
INV 9 plies	1.11	392	435.1
INV TAD 5 plies (1TAD+3CWP)	0.77	365	281.1
INV 6 plies	0.9	260	234.0
INV TAD 5 plies (2TAD+1CWP)	0.93	242	225.1
INV 7 plies	0.94	234	220.0
Moltonel	0.62	180	111.6
Lotus Confort	0.32	97	31.0
Lotus Petite Fleur	0.33	87	28.7

20

In this table, R_{ST} is the tensile strength of the rolled strip in a direction perpendicular to the direction in which the roll is unrolled.

25 The "tensile strength" or, more specifically, the "resistance to breakage by pulling" defined in standard NF EN 12625-4, part 4, is the maximum tensile force withstood per unit width by a specimen of tissue paper

or tissue product until it breaks, in a tensile test. The principle of this test is to stretch a specimen 50 mm wide and at least 250 mm long at a constant rate of elongation of 50 mm/min until it breaks.

5

To do this, the specimens to be evaluated are placed in succession between two jaws of a tester (as defined in detail in EN 12625-4): at least 20 specimens are subjected to the test.

10

The jaws of the tester separate from one another at a constant rate of about 50 mm/min, all the significant values of the forces as the specimens break are recorded.

15

The mean of said rupture (breaking) forces: F (expressed in N) is then calculated in order to determine the mean tensile rupture strength F_m expressed in N/m such that:

20

$$F_m = \frac{F \times 10^3}{W_i}$$

where W_i = the initial width of the specimen (normally 50 mm).

25

For the preferred applications of the invention, R_{ST} ranges between 200 and 500 N/m and preferably exceeds 250 N/m.

30

E is the measured thickness of the sheet (or of the strip) obtained using European standard EN 12626-3 while E_p is the mean thickness of a ply of said sheet. More specifically, E_p is the total thickness of the sheet divided by the number of plies of which said

35

sheet (in a strip) is formed.

Within the meaning of the invention, the thickness E ranges between 0.75 and 1.5 mm, and is preferably around 0.90 mm.

5 The comparative table above clearly shows that the products according to the prior art, namely those corresponding to the last three rows of the table and identified as "MOLTONEL", "LOTUS CONFORT" and "LOTUS PETITE FLEUR" represent a product P of less than 190
10 mm.N/m.

The "MOLTONEL", "LOTUS CONFORT" and "LOTUS PETITE FLEUR" products correspond to rolls of bathroom tissue manufactured and marketed by the applicant company
15 under these three registered trade names and the sheets of which consist of two or three plies of the CWP type.

CLAIMS

1. A roll for use as bathroom tissue, formed of a rolled strip of a cellulose-fiber product, said strip comprising at least three superposed and associated plies, said strip having a tensile strength R_{ST} across its width, wherein the product P of the total thickness E of the strip times its strength R_{ST} is greater than 190 mm.N/m , E being expressed in mm and R_{ST} in N/m .
2. The roll as claimed in claim 1, wherein said strip consists of a succession of sheets that can be separated from one another along precut lines.
3. The roll as claimed in claim 1 or 2, wherein each ply of which said strip is formed comprises a group of plies.
4. The roll as claimed in any one of claims 1 to 3, wherein at least one of the plies of which said strip is formed is wet laid using a technique of the TAD type.
5. The roll as claimed in any one of claims 1 to 4, wherein at least one of the plies of which said strip is formed is wet laid using a technique of the CWP type.
6. The roll as claimed in any one of claims 1 to 5, wherein a basis weight of said strip ranges between 30 and 150 g/m^2 .
7. The roll as claimed in claim 6, wherein the basis weight of said strip ranges between 85 and 115 g/m^2 .

1/1

FIG.1

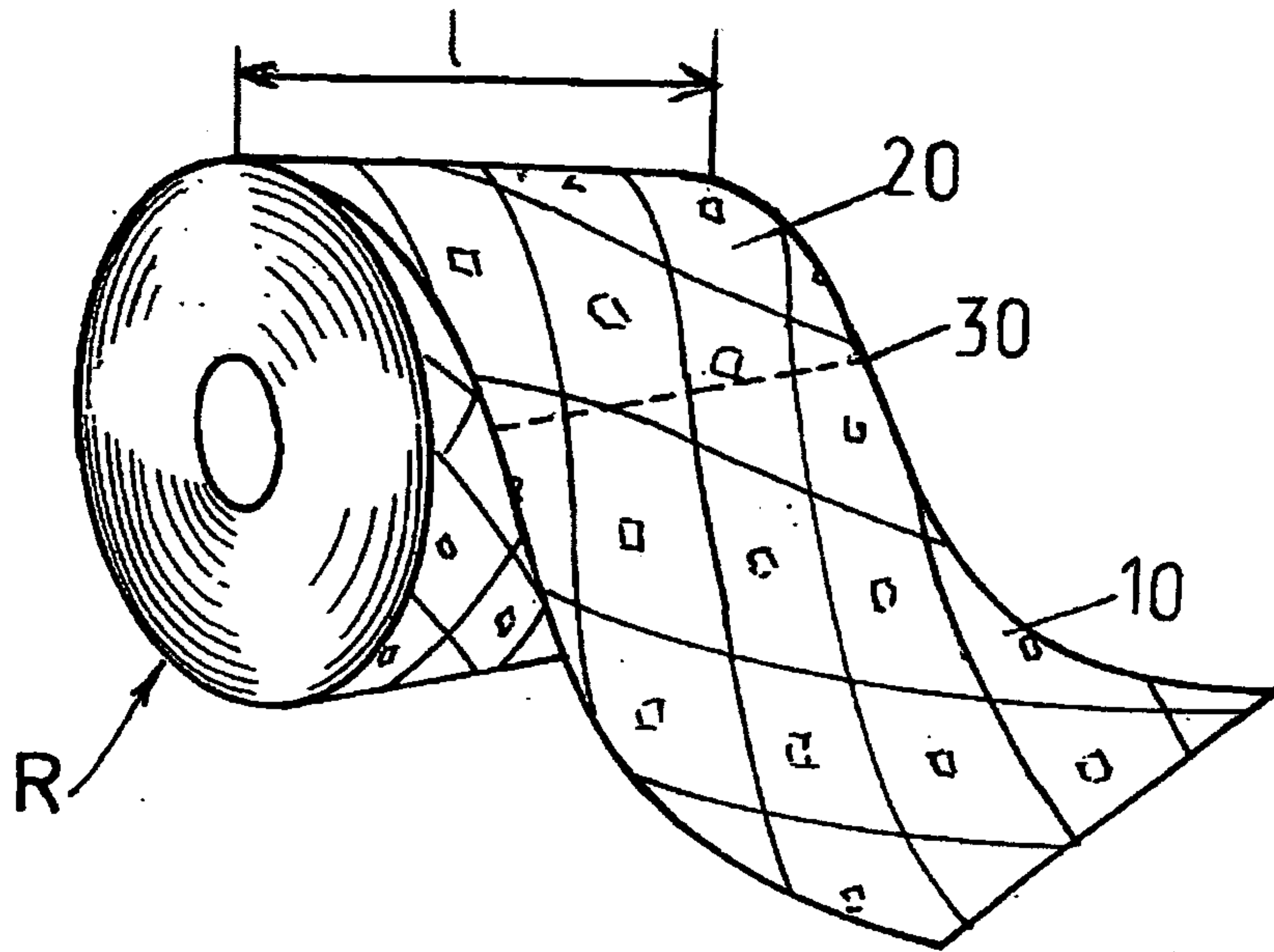


FIG.2

