

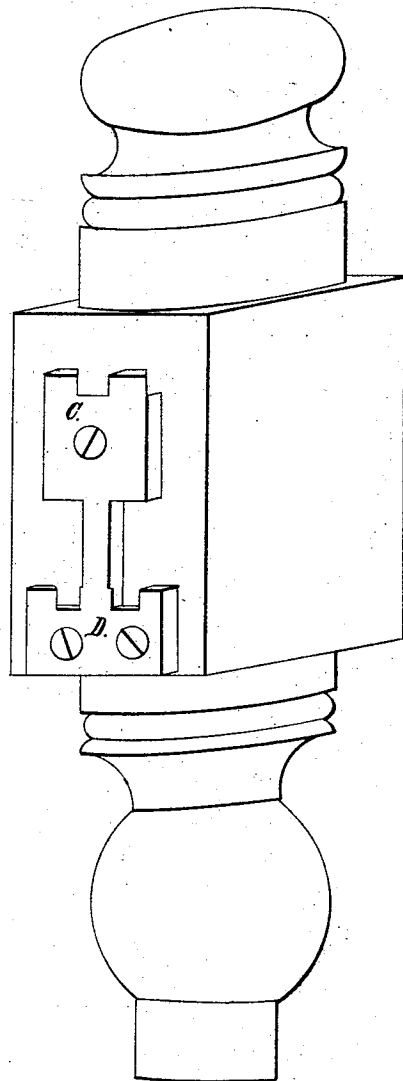
*P. Post,*

*Bedstead Fastening,*

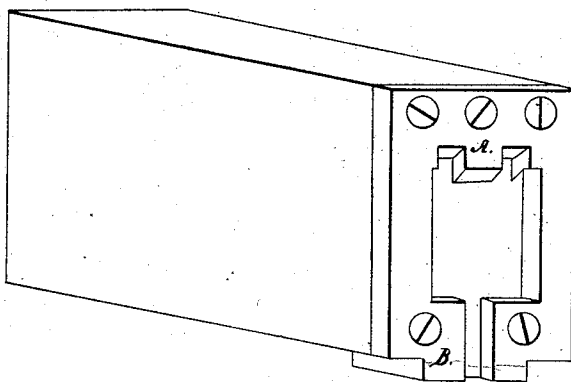
*N<sup>o</sup> 780.*

*Patented June 12, 1838.*

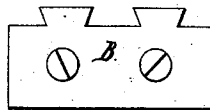
*Fig. 1.*



*Fig. 2.*



*Fig. 3.*



*Witnesses:*

*Sylvester Spencer*

*Joseph Spencer*

*Inventor:*

*Parson Post*

# UNITED STATES PATENT OFFICE.

PARDON POST, OF NEW HAVEN, CONNECTICUT.

## MODE OF FASTENING BEDSTEADS.

Specification of Letters Patent No. 780, dated June 12, 1838.

*To all whom it may concern:*

5 Be it known that I, PARDON POST, of the city and county of New Haven, State of Connecticut, have invented a new Improvement in Fastenings of Bedsteads; and I do hereby declare that the following is a full and exact description.

10 Instead of the mortise tenon and screw, I use four metallic plates of equal and sufficient thickness for the requisite strength.

15 Plates C and D are connected together by a neck, the whole being cast in one piece, and are screwed on the side of the post, see Figure 1. Plate C has one or more parallel dovetails on the top which are to lock into plate A. Plate A, Fig. 2 is screwed fast on the end of the rail, (and is calculated to be of the same size) has a mortise through the center of it sufficiently large to receive plate  
20 C through it. It has also one or more dovetail spaces on the upper part of proper size to match the dovetails of plate C, thus forming a parallel dovetail lock. It has also an opening in the lower part of the plate to receive the neck which connects and makes  
25 part of plate C and D. Plate B Figs. 2 and

3 is screwed fast on the underside of the rail, has two dovetails which are placed on the lower edge of plate A forming a dovetail space which receives the neck of plate C and D. Plate C D has two dovetailed spaces at D to match or receive the dovetails of plate B which are locked together at right angles. Plate C D is placed into the mortise of plate A and the rail settles down, thus forming a close joint supported by three or more dovetail locks. 35

I do not claim as my invention the locking of bedsteads by dovetail wedge joints; but

What I do claim is— 40

The addition of plate B, having the two dovetail tenons fitting into the lower part of plate C, D, at D, the whole being constructed and combined substantially as herein described. 45

In witness whereof I hereunto subscribe my name this 16th day of January 1837.

PARDON POST.

Witnesses:

SYLVESTER SPENCER,  
JOSEPH SPENCER.