



US00D650488S

(12) **United States Design Patent**  
**Donahue et al.**

(10) **Patent No.:** **US D650,488 S**

(45) **Date of Patent:** **\*\* Dec. 13, 2011**

(54) **BODY BUFFER**

(75) Inventors: **Nancy C. Donahue**, Lowell, MA (US);  
**Heidi B. Kummer**, Boston, MA (US);  
**Susan A. Pasanen**, North Andover, MA  
(US); **James J. Pomposelli**, Carlisle,  
MA (US)

(73) Assignee: **Bellecore, LLC**, Carlisle, MA (US)

(\*\*) Term: **14 Years**

(21) Appl. No.: **29/392,940**

(22) Filed: **May 27, 2011**

(51) **LOC (9) Cl.** ..... **28-03**

(52) **U.S. Cl.** ..... **D24/214**

(58) **Field of Classification Search** ..... D24/200,  
D24/211–215; 601/118, 120, 121, 124, 125,  
601/130, 131, 134–137; D4/137

See application file for complete search history.

(56) **References Cited**

**U.S. PATENT DOCUMENTS**

D400,261	S	*	10/1998	Allende	.....	D24/215
D423,677	S	*	4/2000	Sivan et al.	.....	D24/215
D438,977	S	*	3/2001	Khalaj	.....	D24/214
D592,305	S	*	5/2009	Cho	.....	D24/133
D593,204	S	*	5/2009	Manke et al.	.....	D24/214
D610,692	S	*	2/2010	Heilman	.....	D24/201

**OTHER PUBLICATIONS**

U.S. Appl. No. 29/367,741, Notice of Allowance with a SB08 form dated Jul. 26, 2011 (8 pages).

\* cited by examiner

*Primary Examiner* — Sandra Snapp

(74) *Attorney, Agent, or Firm* — McCarter & English, LLP

(57) **CLAIM**

The ornamental design for a body buffer, as shown and described.

**DESCRIPTION**

FIG. 1 is a front perspective view of a first embodiment of a body buffer showing the design;

FIG. 2 is a rear perspective view of a first embodiment of a body buffer;

FIG. 3 is a front elevational view of a first embodiment of a body buffer showing the design;

FIG. 4 is a rear elevational view of a first embodiment of a body buffer;

FIG. 5 is a left side elevational view of a first embodiment of a body buffer;

FIG. 6 is a right side elevational view of a first embodiment of a body buffer;

FIG. 7 is a top plan view of a first embodiment of a body buffer;

FIG. 8 is a bottom plan view of a first embodiment of a body buffer;

FIG. 9 is a front perspective view of a second embodiment of a body buffer showing the design;

FIG. 10 is a rear perspective view of a second embodiment of a body buffer showing the design;

FIG. 11 is a front elevational view of a second embodiment of a body buffer;

FIG. 12 is a rear elevational view of a second embodiment of a body buffer;

FIG. 13 is a left side elevational view of a second embodiment of a body buffer;

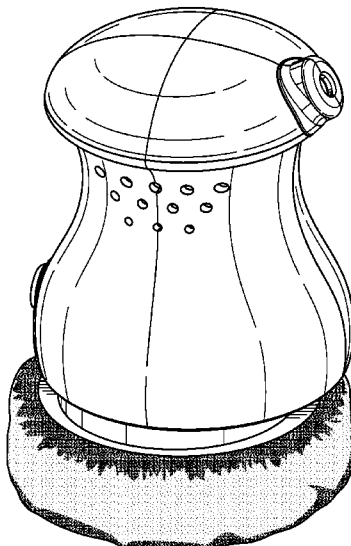
FIG. 14 is a right side elevational view of a second embodiment of a body buffer;

FIG. 15 is a top plan view of a second embodiment of a body buffer; and,

FIG. 16 is a bottom plan view of a second embodiment of a body buffer.

The broken lines shown in the drawings are for illustrative purposes only and form no part of the claimed design.

**1 Claim, 16 Drawing Sheets**



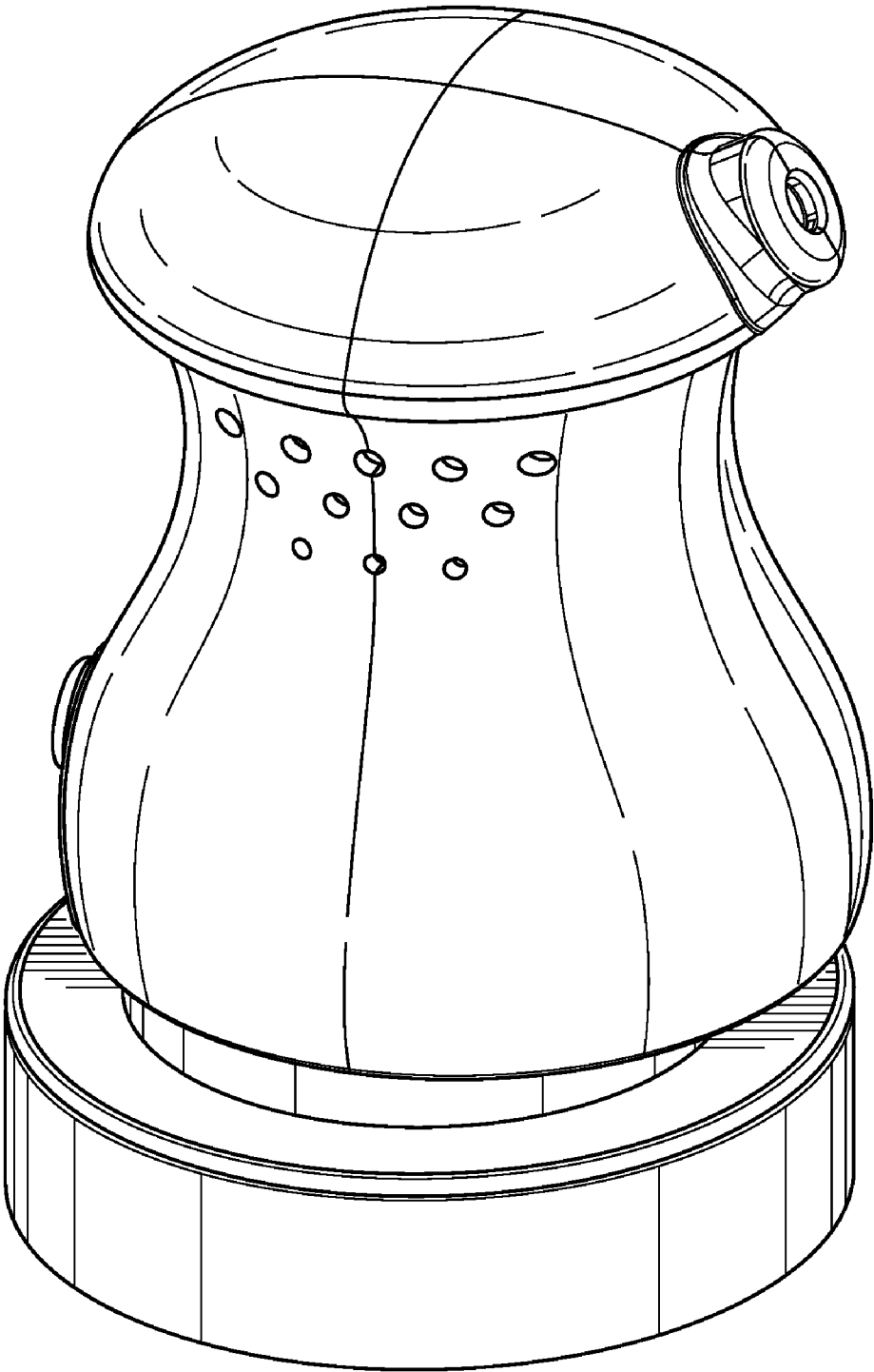


FIG. 1

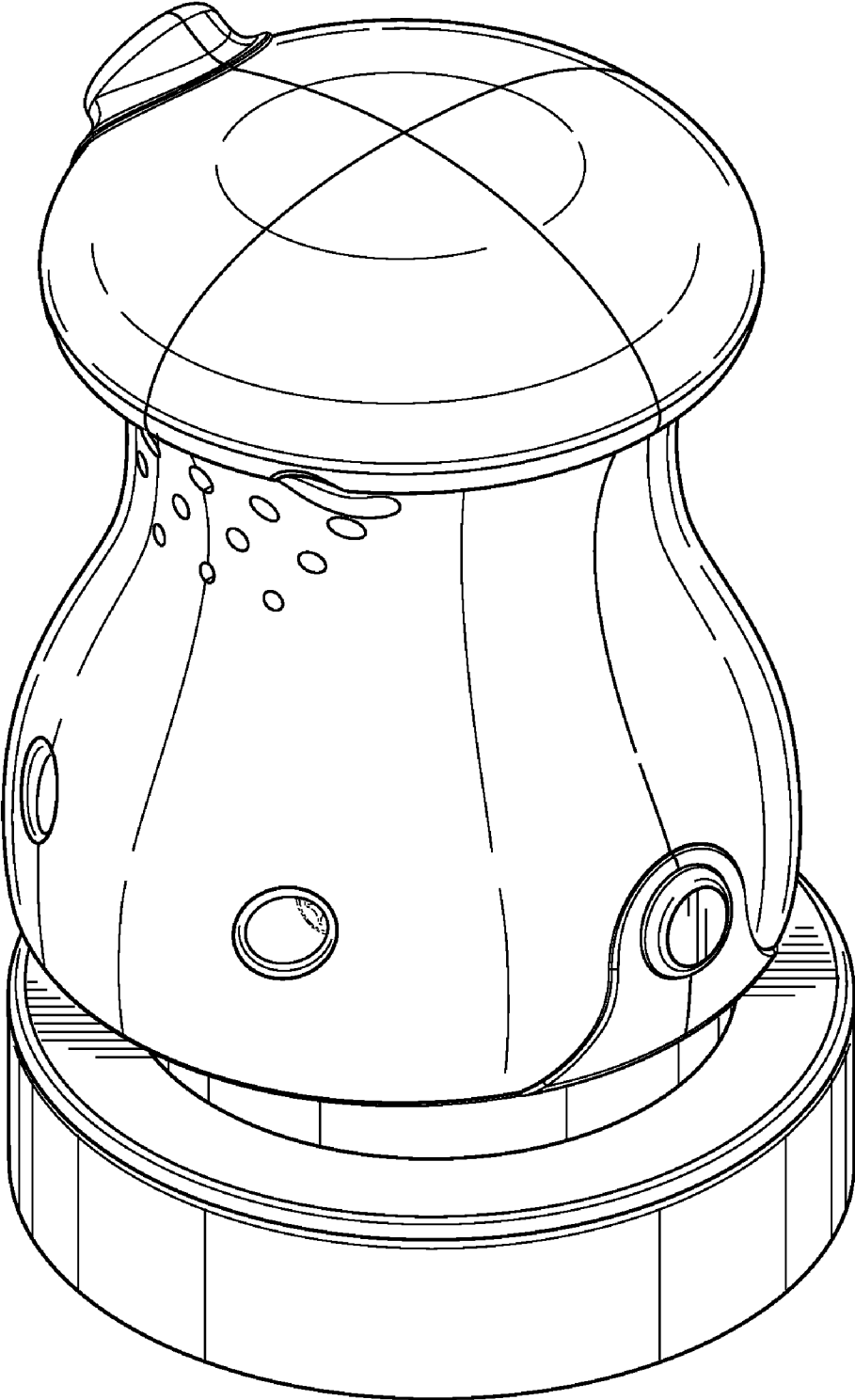


FIG. 2

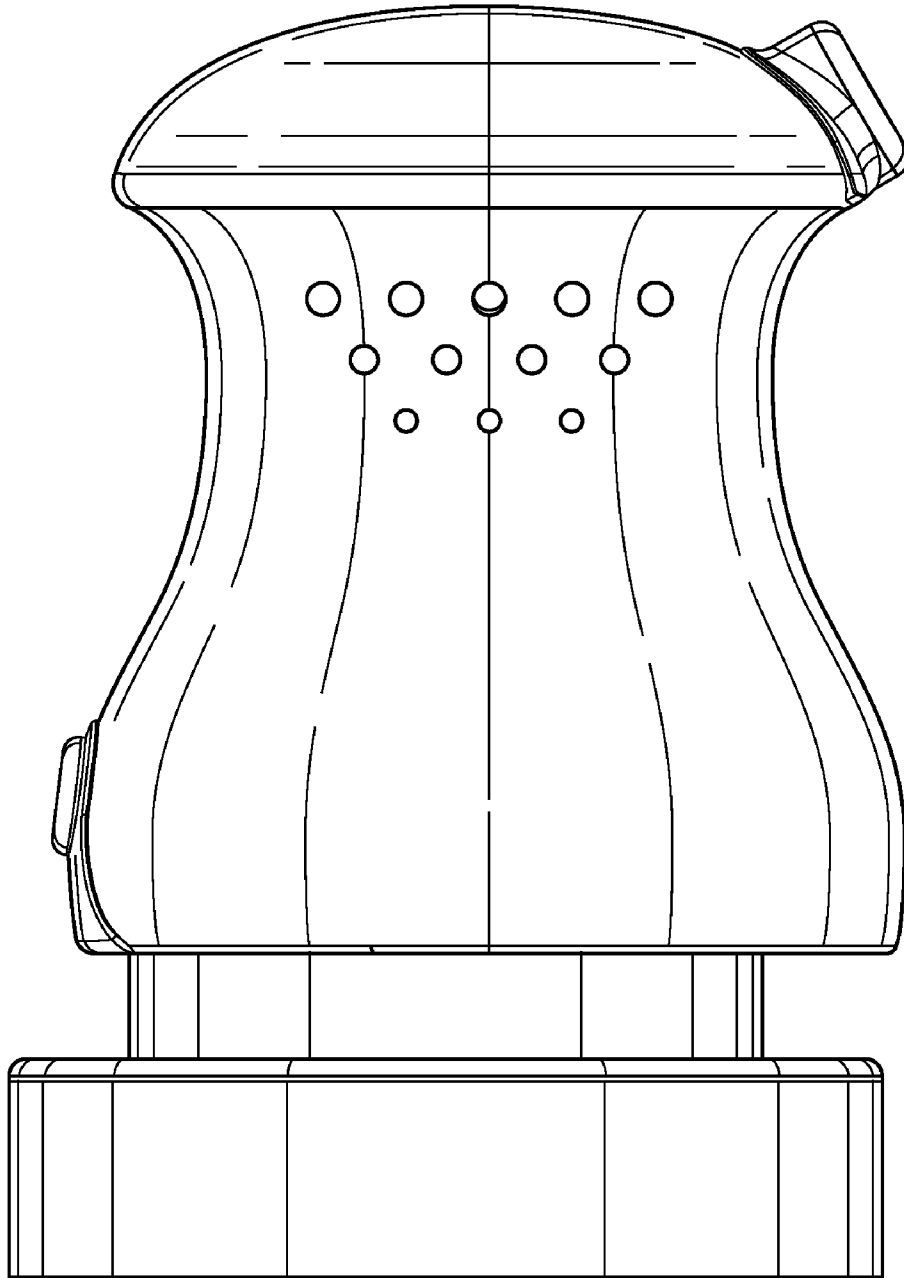


FIG. 3

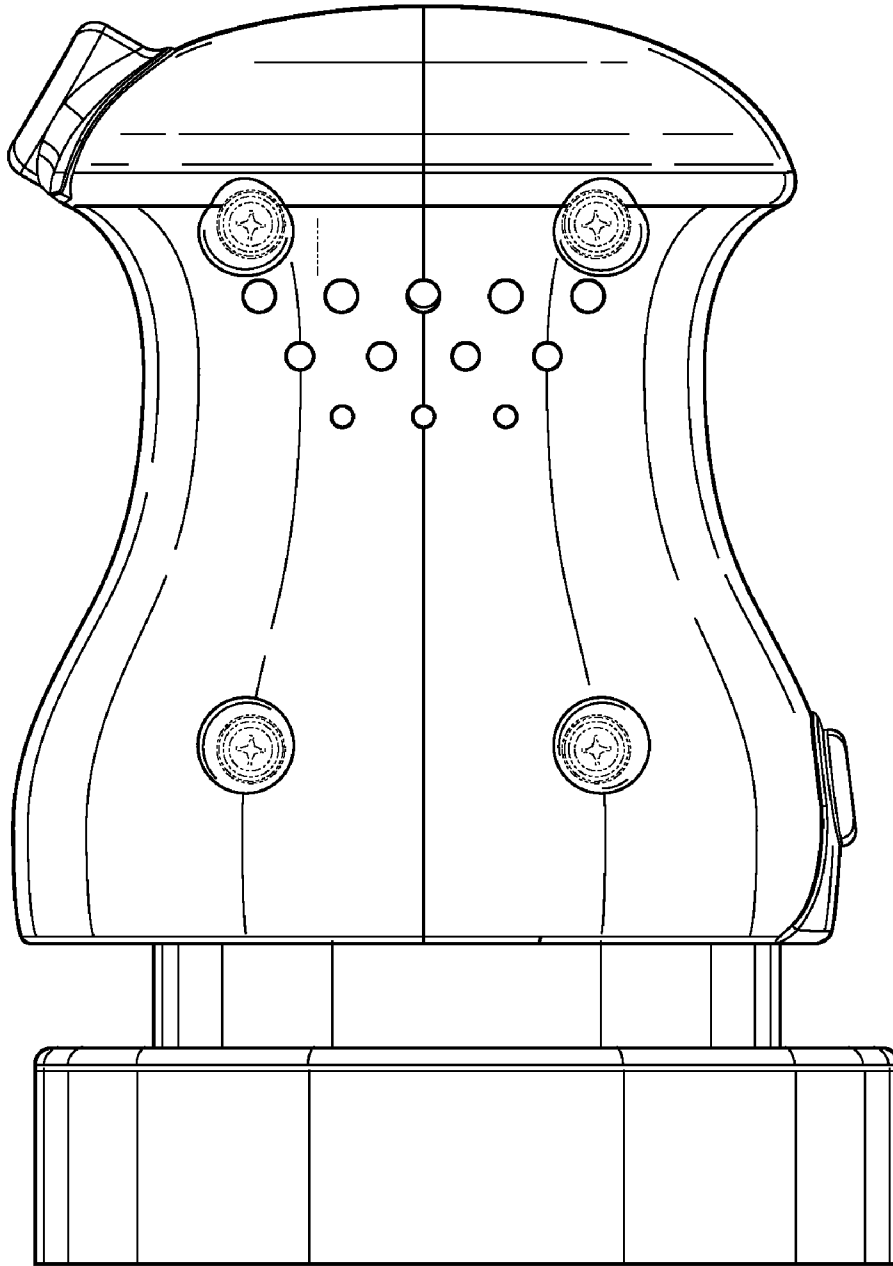


FIG. 4

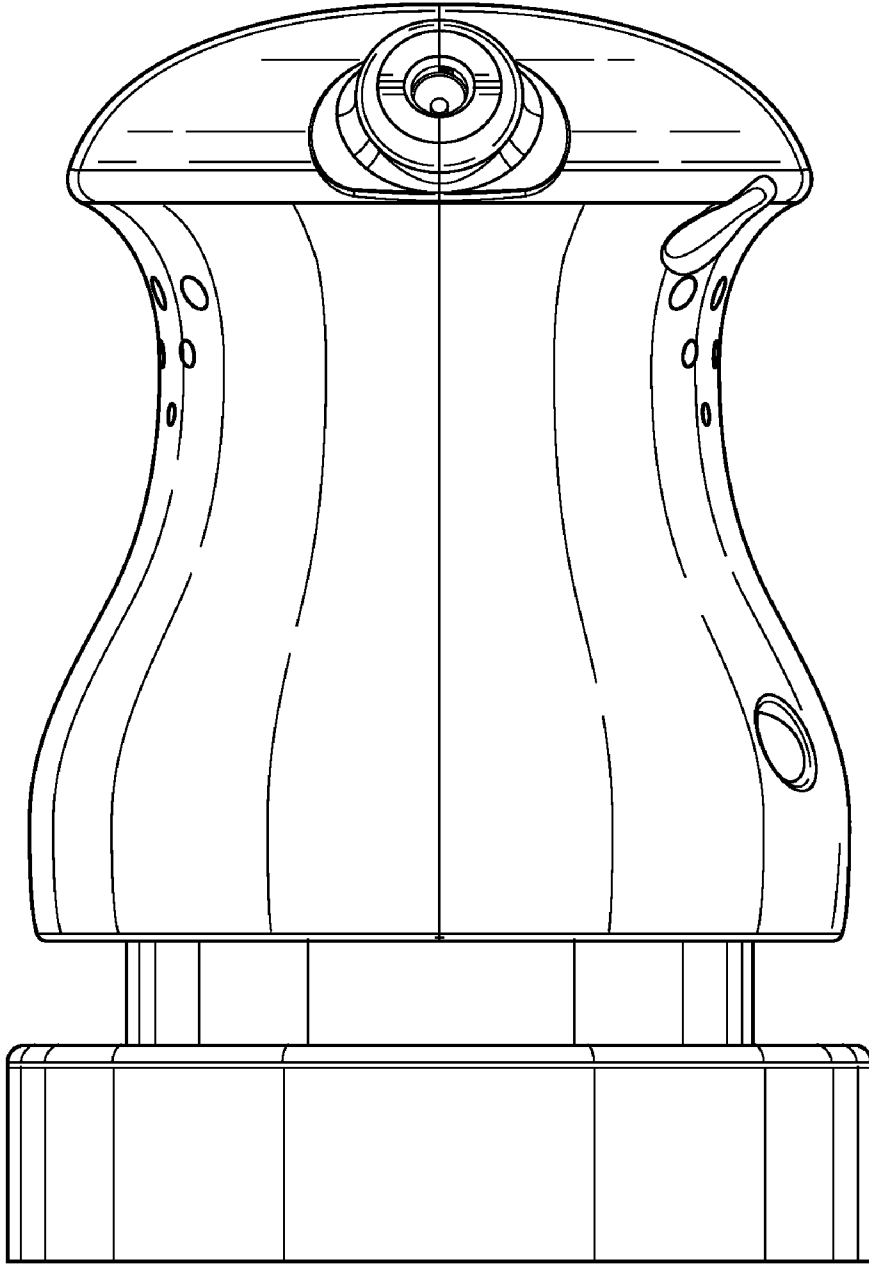


FIG. 5

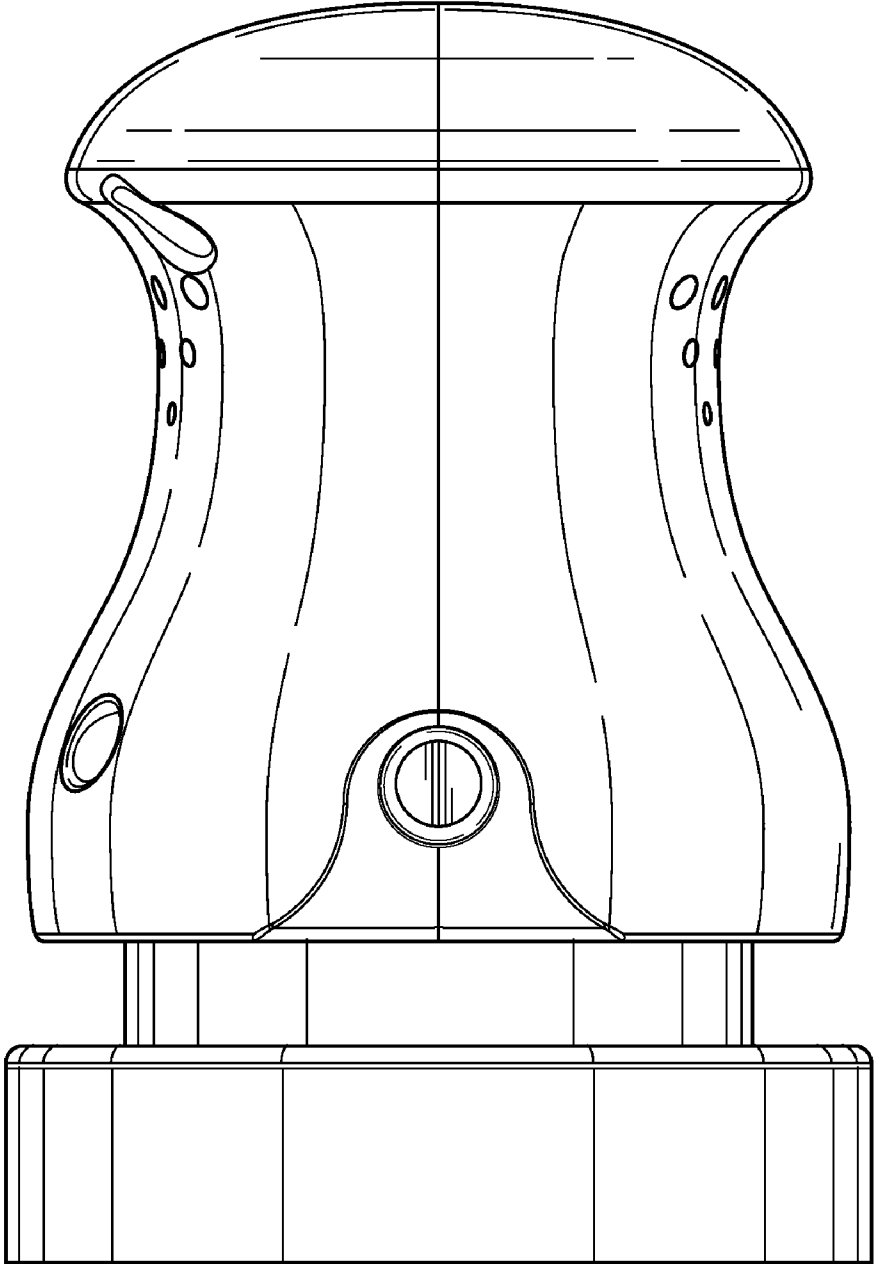


FIG. 6

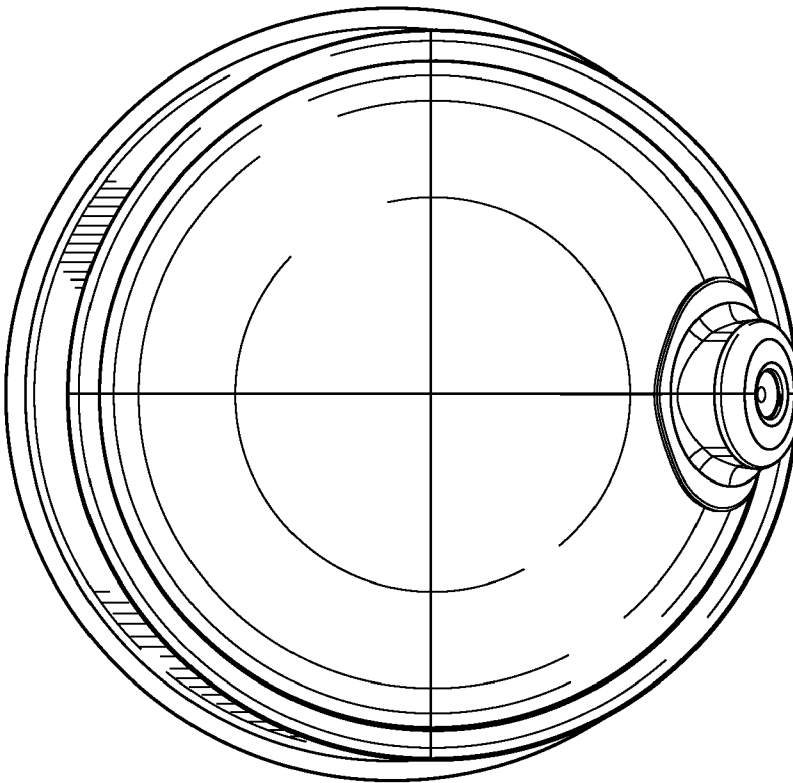


FIG. 7

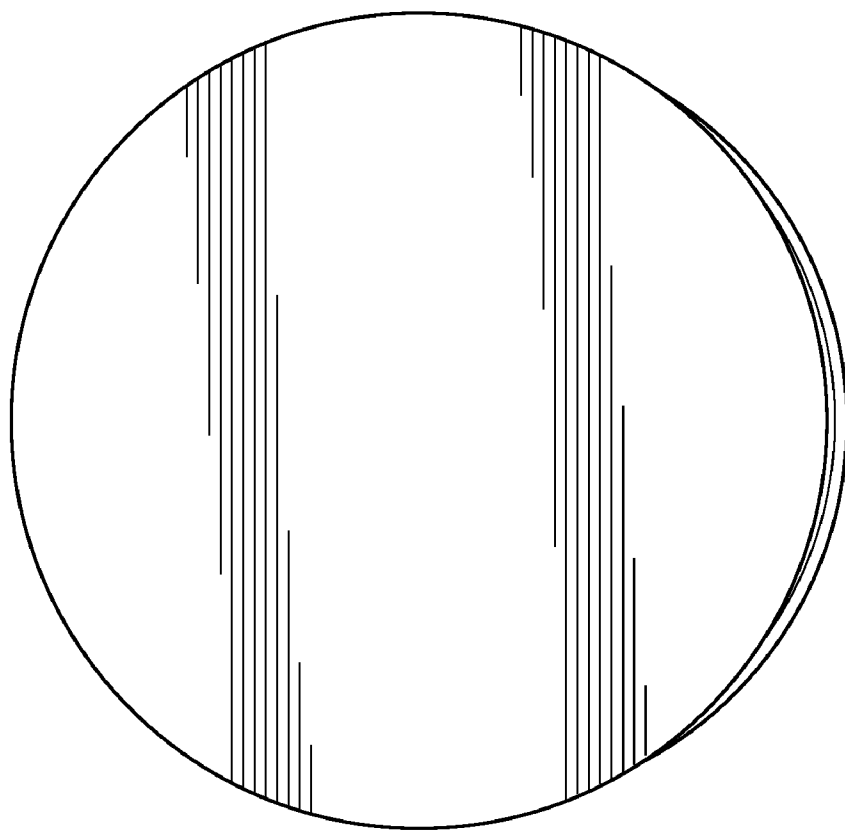


FIG. 8

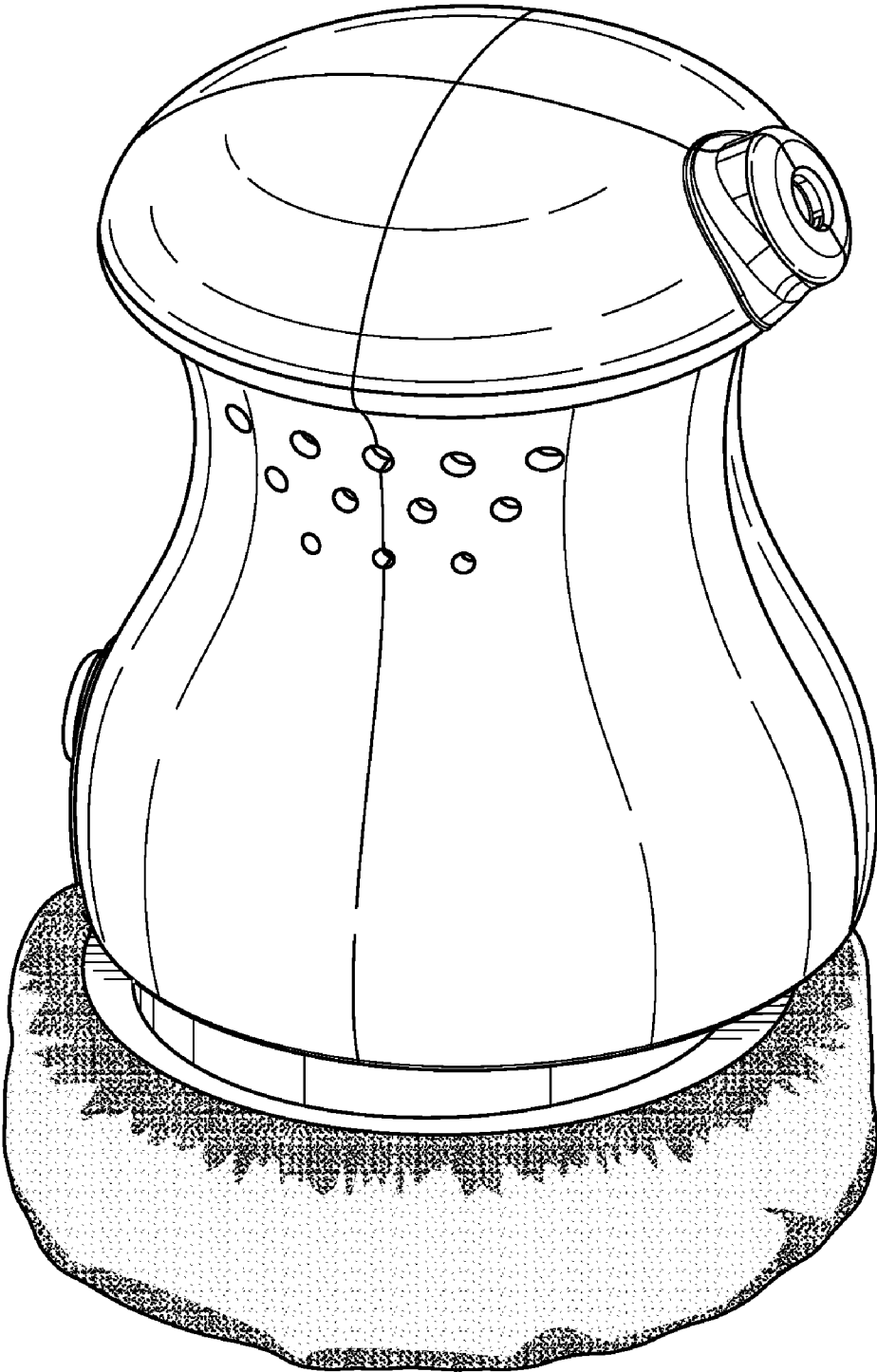


FIG. 9

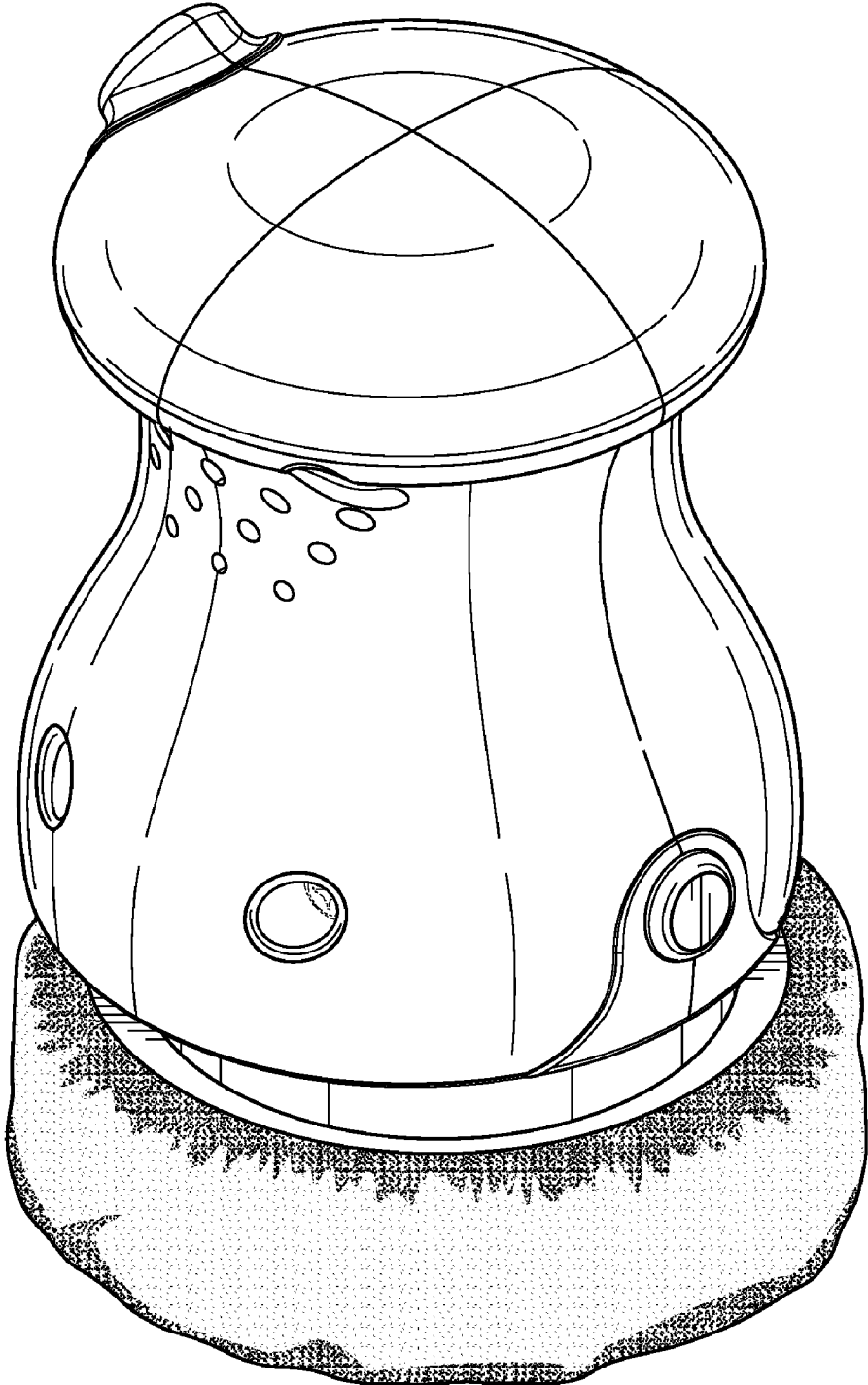


FIG. 10

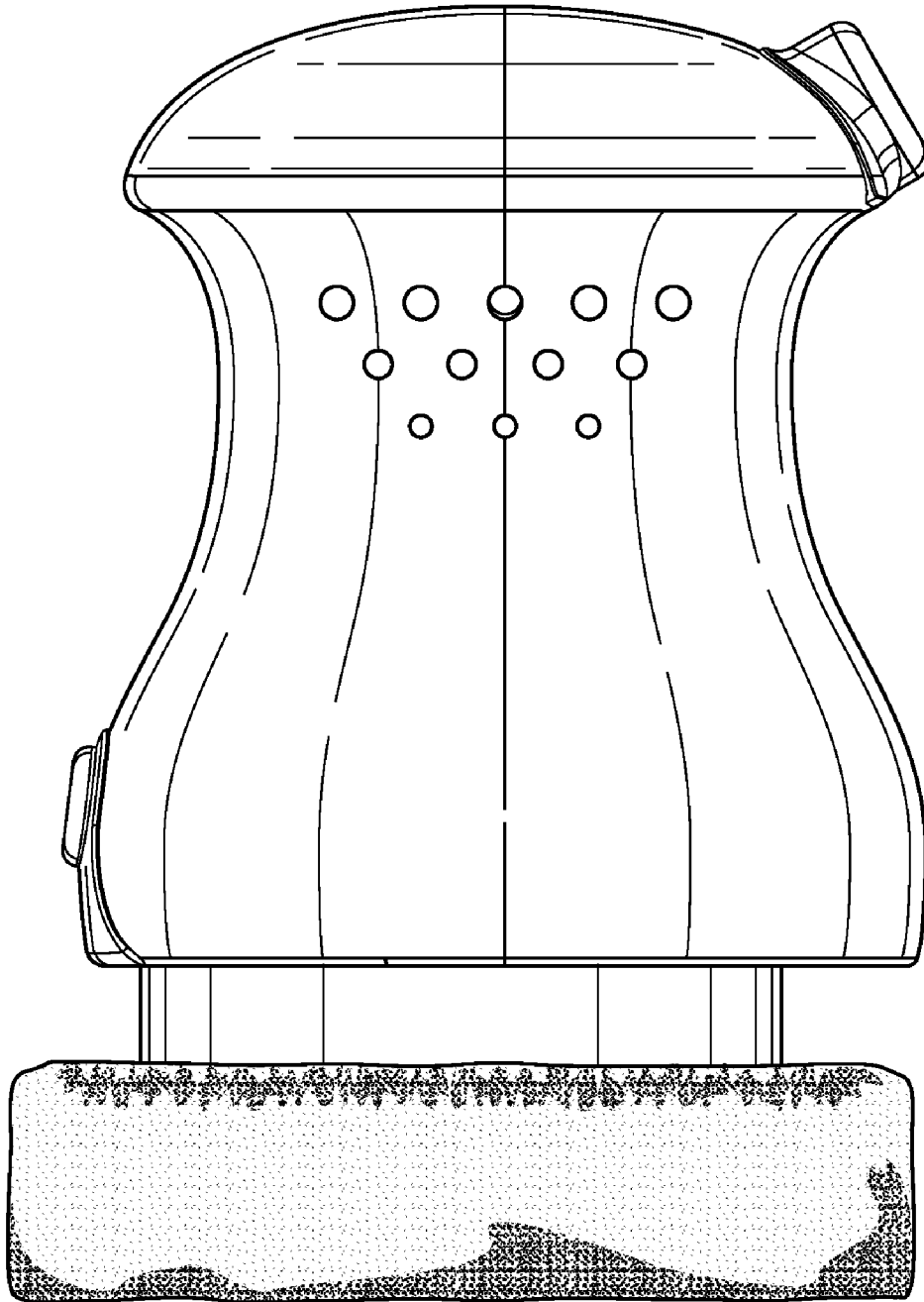


FIG. 11

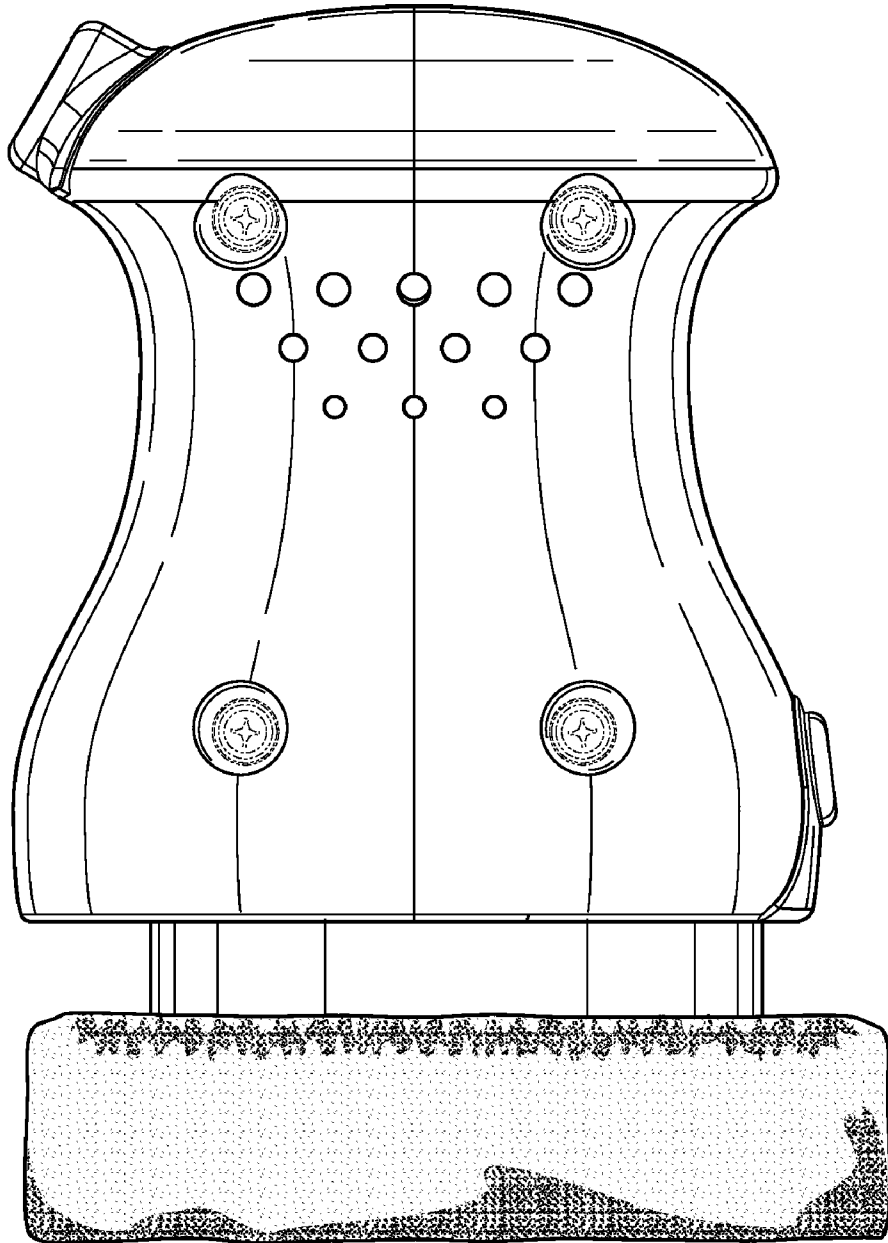


FIG. 12

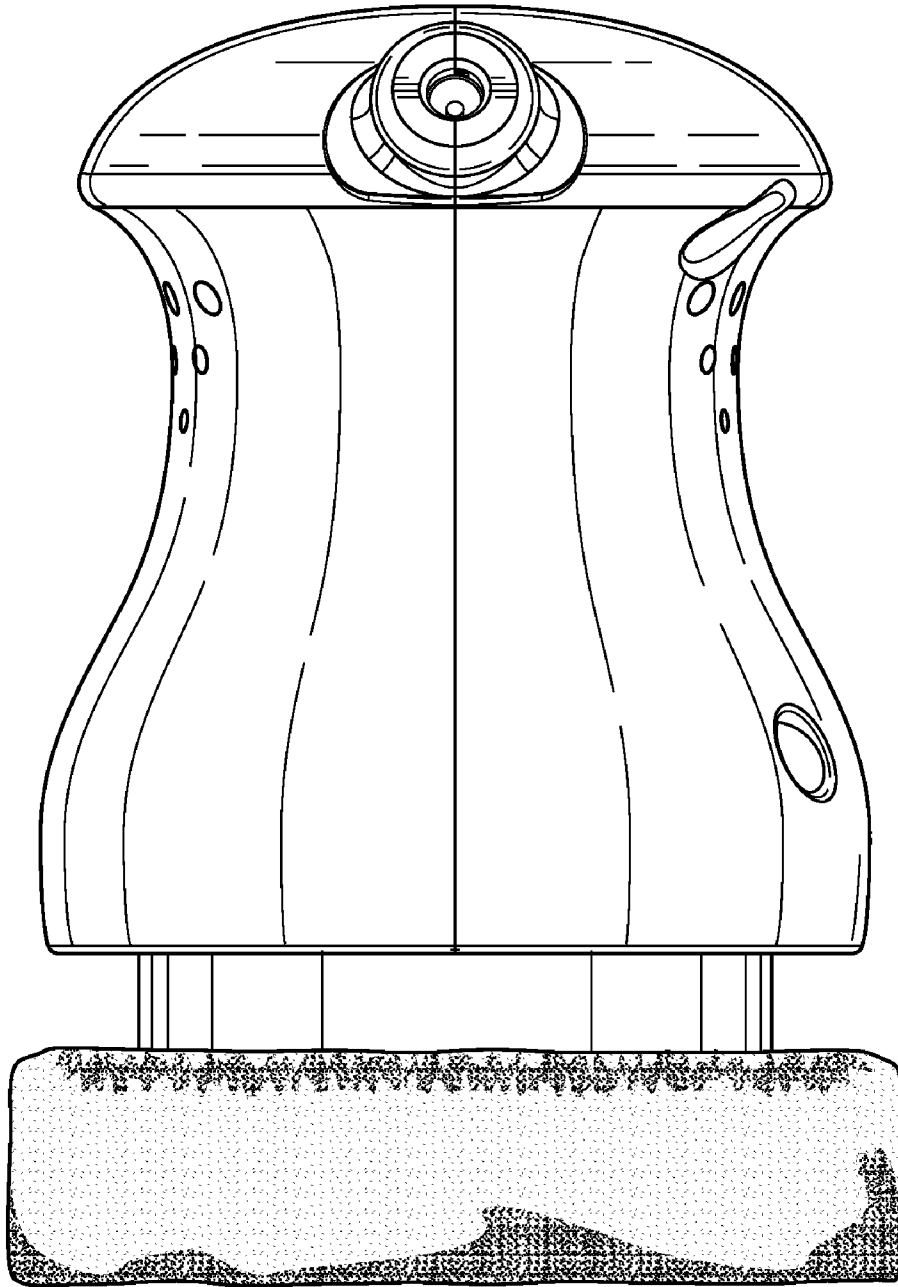


FIG. 13

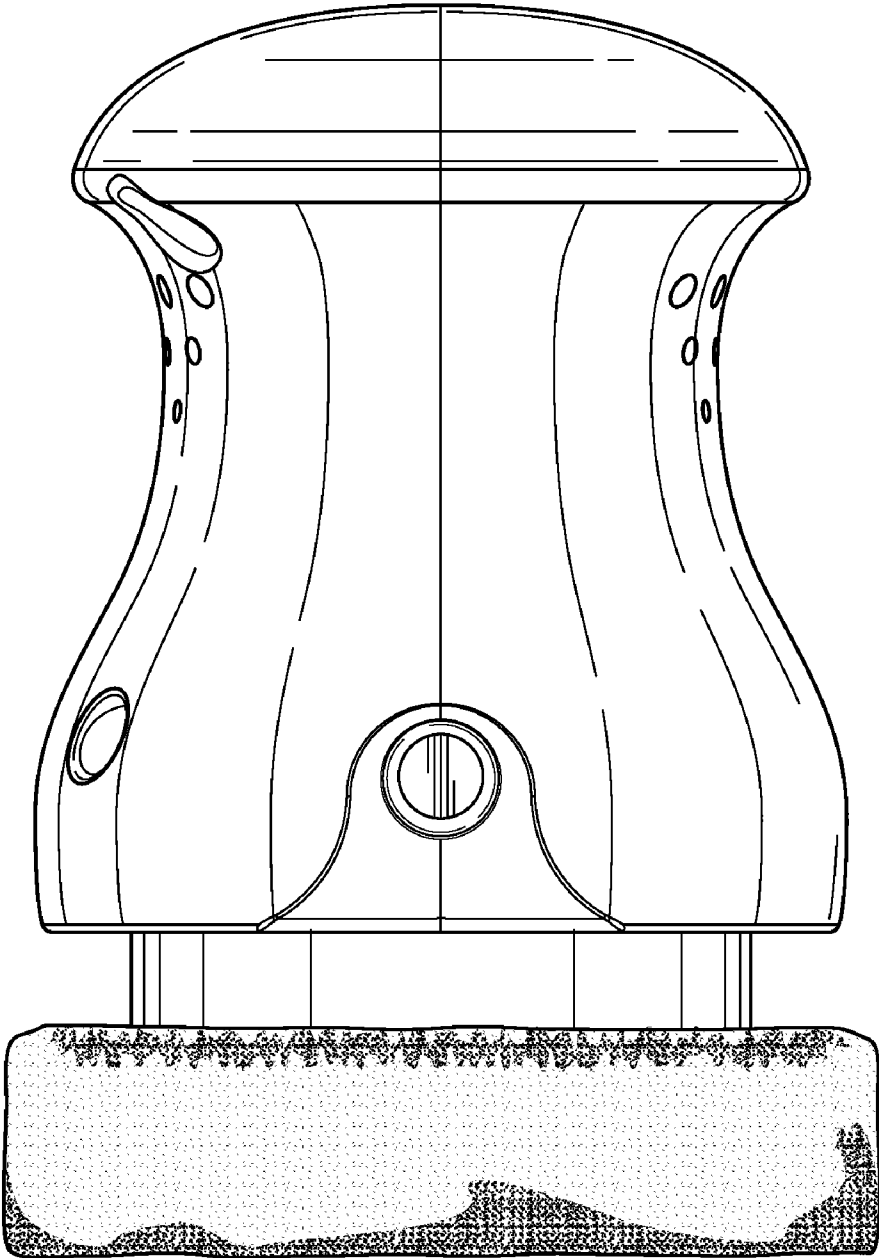


FIG. 14

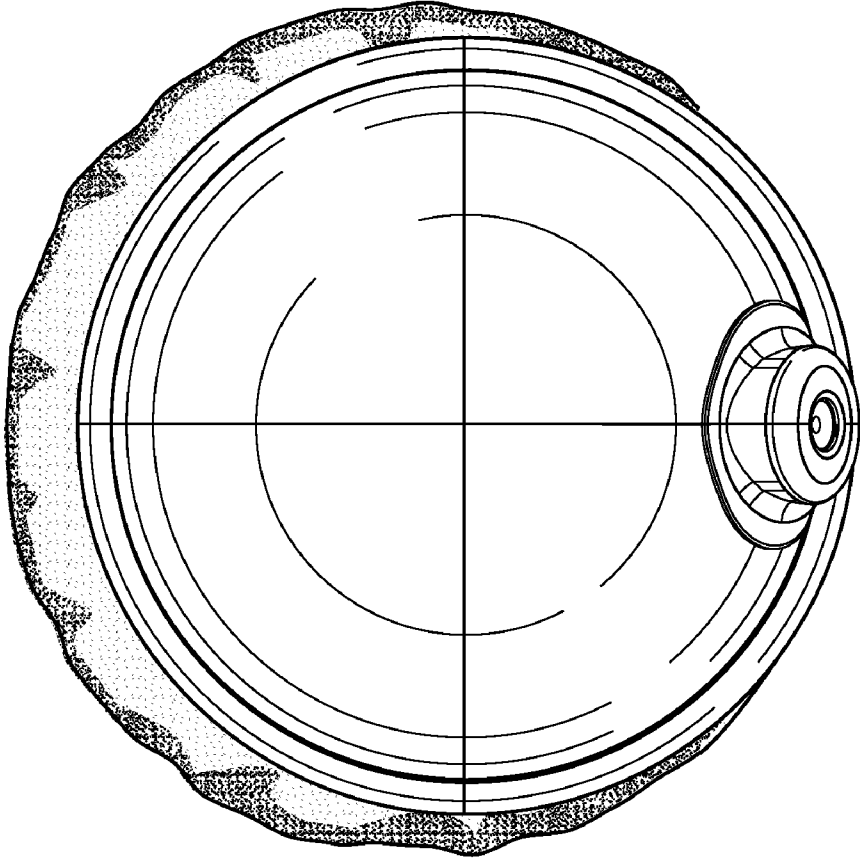


FIG. 15

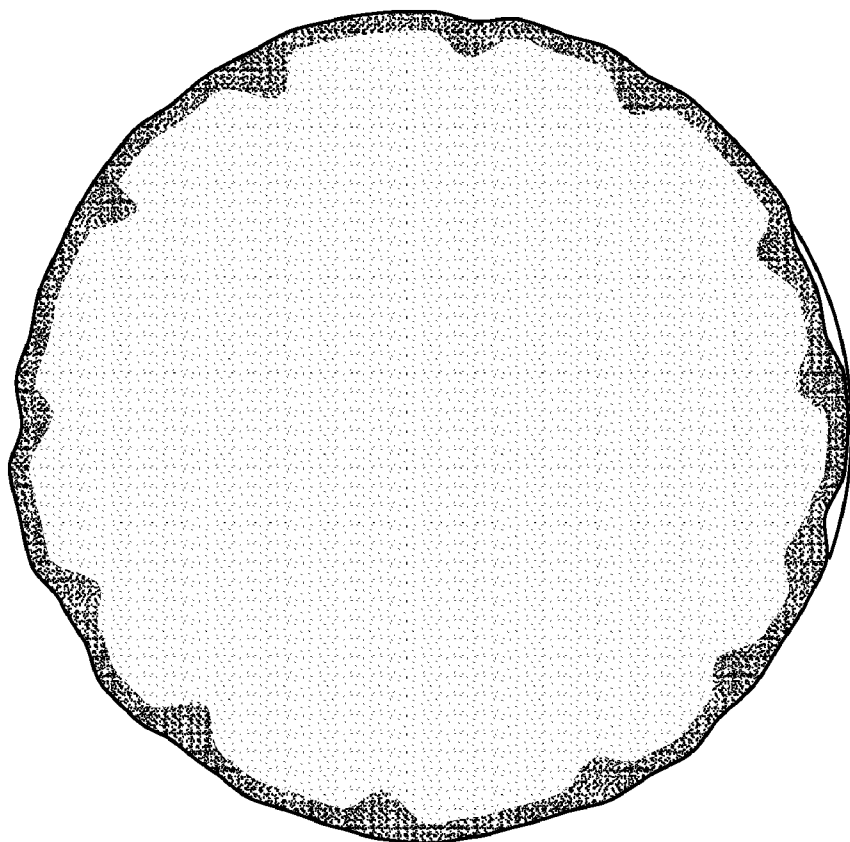


FIG. 16