

(19) World Intellectual Property Organization
International Bureau



(43) International Publication Date
17 August 2006 (17.08.2006)

PCT

(10) International Publication Number
WO 2006/086245 A3

(51) International Patent Classification:
G02B 5/30 (2006.01)

NO, NZ, OM, PG, PH, PL, PT, RO, RU, SC, SD, SE, SG, SK, SL, SM, SY, TJ, TM, TN, TR, TT, TZ, UA, UG, US, UZ, VC, VN, YU, ZA, ZM, ZW.

(21) International Application Number:
PCT/US2006/003942

(84) Designated States (unless otherwise indicated, for every kind of regional protection available): ARIPO (BW, GH, GM, KE, LS, MW, MZ, NA, SD, SL, SZ, TZ, UG, ZM, ZW), Eurasian (AM, AZ, BY, KG, KZ, MD, RU, TJ, TM), European (AT, BE, BG, CH, CY, CZ, DE, DK, EE, ES, FI, FR, GB, GR, HU, IE, IS, IT, LT, LU, LV, MC, NL, PL, PT, RO, SE, SI, SK, TR), OAPI (BF, BJ, CF, CG, CI, CM, GA, GN, GQ, GW, ML, MR, NE, SN, TD, TG).

(22) International Filing Date: 6 February 2006 (06.02.2006)

(25) Filing Language: English

(26) Publication Language: English

(30) Priority Data:
60/593,694 6 February 2005 (06.02.2005) US

Declaration under Rule 4.17:
— of inventorship (Rule 4.17(iv))

(71) Applicant: TILLMAN, Chad, Dustin [US/US]; 6510 Patchwork Circle, Charlotte, NC 28270 (US).

Published:
— with international search report
— before the expiration of the time limit for amending the claims and to be republished in the event of receipt of amendments

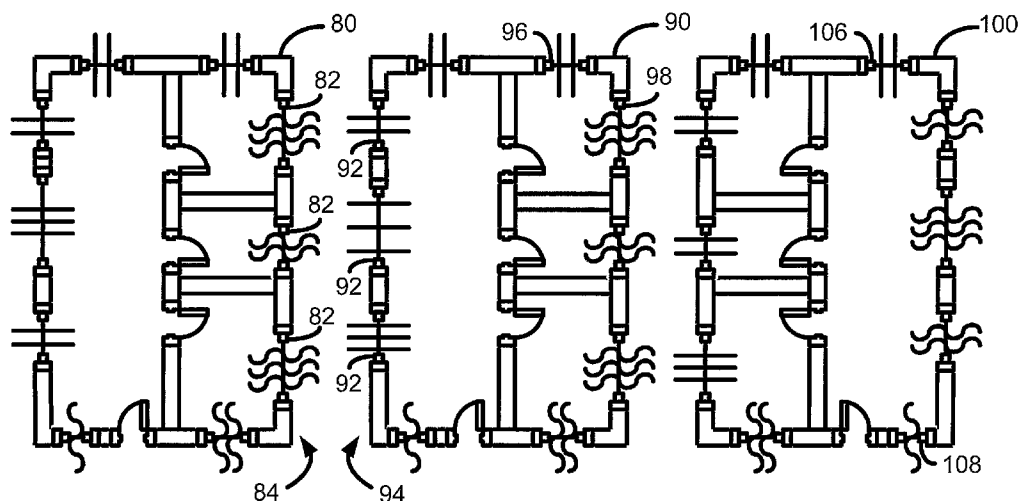
(74) Agents: TILLMAN, Chad, Dustin et al.; Tillman Wright, PLLC, P.O. Box 471581, Charlotte, NC 28247 (US).

(81) Designated States (unless otherwise indicated, for every kind of national protection available): AE, AG, AL, AM, AT, AU, AZ, BA, BB, BG, BR, BW, BY, BZ, CA, CH, CN, CO, CR, CU, CZ, DE, DK, DM, DZ, EC, EE, EG, ES, FI, GB, GD, GE, GH, GM, HR, HU, ID, IL, IN, IS, JP, KE, KG, KM, KN, KP, KR, KZ, LC, LK, LR, LS, LT, LU, LV, LY, MA, MD, MG, MK, MN, MW, MX, MZ, NA, NG, NI,

(88) Date of publication of the international search report:
30 August 2007

For two-letter codes and other abbreviations, refer to the "Guidance Notes on Codes and Abbreviations" appearing at the beginning of each regular issue of the PCT Gazette.

(54) Title: OPPOSED WINDOW PAIRING FOR LIMITED VIEWING THERE THROUGH



(57) Abstract: A combination includes a first window configured to polarize light passing there through in a first plane; and a second window configured to polarize light passing there through in a second plane, the second plane being generally orthogonal to the first plane. The first window and the second window are disposed in opposing dispositions such that a line-of-sight extends between and to each window. Accordingly, a person's view through both windows is substantially blocked, but an individual view by a person through each window is not blocked. The opposed windows may form part of opposing sides of buildings or houses, or opposing sides of a container, such as an aquarium. The opposed windows further may form part of opposing rooms, such as offices or conference rooms.

WO 2006/086245 A3

INTERNATIONAL SEARCH REPORT

International application No.

PCT/US06/03942

A. CLASSIFICATION OF SUBJECT MATTER IPC(8) - G02B 5/30 (2007.01) USPC - 359/501 According to International Patent Classification (IPC) or to both national classification and IPC		
B. FIELDS SEARCHED Minimum documentation searched (classification system followed by classification symbols) IPC(8) - G02B 5/30 (2007.01) USPC - 359/501, 485 Documentation searched other than minimum documentation to the extent that such documents are included in the fields searched Electronic data base consulted during the international search (name of data base and, where practicable, search terms used) MicroPatent, IP.com, DialogPro		
C. DOCUMENTS CONSIDERED TO BE RELEVANT		
Category*	Citation of document, with indication, where appropriate, of the relevant passages	Relevant to claim No.
X	US 2,286,570 A (POLLACK) 16 June 1942 (16.06.1942) entire document	1-57
A	US 2,464,954 A (WERTH) 22 March 1949 (22.03.1949) entire document	1-57
A	US 6,636,358 B2 (UMEMOTO et al) 21 October 2003 (21.10.2003) entire document	1-57
A	EP 1,256,823 A2 (HASHIZUME et al) 13 November 2002 (13.11.2002) entire document	1-57
<input type="checkbox"/> Further documents are listed in the continuation of Box C. <input type="checkbox"/>		
* Special categories of cited documents: "A" document defining the general state of the art which is not considered to be of particular relevance "E" earlier application or patent but published on or after the international filing date "L" document which may throw doubts on priority claim(s) or which is cited to establish the publication date of another citation or other special reason (as specified) "O" document referring to an oral disclosure, use, exhibition or other means "P" document published prior to the international filing date but later than the priority date claimed "T" later document published after the international filing date or priority date and not in conflict with the application but cited to understand the principle or theory underlying the invention "X" document of particular relevance; the claimed invention cannot be considered novel or cannot be considered to involve an inventive step when the document is taken alone "Y" document of particular relevance; the claimed invention cannot be considered to involve an inventive step when the document is combined with one or more other such documents, such combination being obvious to a person skilled in the art "&" document member of the same patent family		
Date of the actual completion of the international search 18 April 2007		Date of mailing of the international search report 11 JUL 2007
Name and mailing address of the ISA/US Mail Stop PCT, Attn: ISA/US, Commissioner for Patents P.O. Box 1450, Alexandria, Virginia 22313-1450 Facsimile No. 571-273-3201		Authorized officer: Blaine R. Copenheaver PCT Helpdesk: 571-272-4300 PCT OSP: 571-272-7774