

(12) **United States Design Patent**
Li

(10) **Patent No.:** **US D1,027,757 S**
(45) **Date of Patent:** **** May 21, 2024**

(54) **HEAD UP DISPLAY DASHBOARD**
(71) Applicant: **Shenzhen Yuzhongqi Technology Co., LTD.,** Shenzhen (CN)
(72) Inventor: **Dayang Li,** Nanyang (CN)
(73) Assignee: **Shenzhen Yuzhongqi Technology Co., Ltd.,** Shenzhen (CN)

D435,196 S * 12/2000 Gregor D7/553.5
D453,095 S * 1/2002 Bailey D7/620
D455,225 S * 4/2002 Whitlock D27/134
D465,004 S * 10/2002 Funk E04H 15/36
D21/834
D478,073 S * 8/2003 Topinka D14/253
D485,529 S * 1/2004 Schoenberger D12/419
D524,807 S * 7/2006 Topinka D14/253
7,404,590 B2 * 7/2008 Loranger E04H 15/06
296/159
D574,315 S * 8/2008 Swails D12/401
D583,746 S * 12/2008 Napieraj D12/403
D635,832 S * 4/2011 Bergin D7/701
8,550,550 B2 * 10/2013 Cassese B65D 15/00
220/23.8
D704,199 S * 5/2014 Byun D14/447
D705,211 S * 5/2014 Huang D14/253
D708,187 S * 7/2014 Xiang D14/447
D732,448 S * 6/2015 Yagisawa D12/192
D735,636 S * 8/2015 Wragg D12/419

(**) Term: **15 Years**
(21) Appl. No.: **29/801,006**

(22) Filed: **Jul. 26, 2021**
(51) **LOC (14) Cl.** **12-16**
(52) **U.S. Cl.**
USPC **D12/192**

(58) **Field of Classification Search**
USPC D12/86, 90–92, 114, 163, 167, 169, 170,
D12/174, 175, 192, 196, 216, 345, 415;
D14/126, 371, 336, 373, 377, 382
CPC G06F 1/1601; G06F 1/1605; G06F 1/1607;
G06F 1/1637; G06F 1/1642; G06F 1/182;
G06F 1/20; B60H 1/34; B60H 1/3407;
B60H 1/3414; B60H 1/3435; B60H
1/3442; B60H 1/345; B60H 1/3457
See application file for complete search history.

(Continued)

Primary Examiner — Karen E Kearney
Assistant Examiner — Jerry Shiuuan-Hua Hsu
(74) *Attorney, Agent, or Firm* — Xuan Zhang

(57) **CLAIM**

The ornamental design for a head up display dashboard, as shown and described.

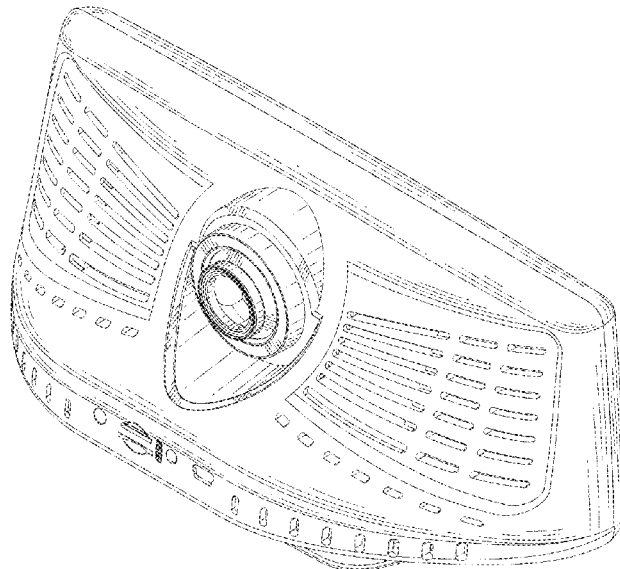
DESCRIPTION

FIG. 1 is a rear perspective view of a head up display dashboard showing my new design;
FIG. 2 is a front view thereof;
FIG. 3 is a rear view thereof;
FIG. 4 is a left view thereof;
FIG. 5 is a right view thereof;
FIG. 6 is a top view thereof; and,
FIG. 7 is a bottom view thereof.
The broken lines illustrate portions of the head up display dashboard which form no part of the claim.

1 Claim, 7 Drawing Sheets

(56) **References Cited**
U.S. PATENT DOCUMENTS

D246,086 S * 10/1977 Graves D7/624.2
5,088,673 A * 2/1992 Chandler B60N 3/103
D7/619.1
D332,294 S * 1/1993 Cantwell D21/834
D338,597 S * 8/1993 Dickey D7/620
D361,017 S * 8/1995 Keven D7/619.1
D377,091 S * 12/1996 Scott, Sr. D24/121
D390,908 S * 2/1998 Lah D21/834
D395,097 S * 6/1998 Barton D27/135
D398,062 S * 9/1998 Lockhart D21/834



(56)

References Cited

U.S. PATENT DOCUMENTS

D777,022	S	*	1/2017	Barnett	D8/394
D777,528	S	*	1/2017	Landphere	D12/419
D793,948	S	*	8/2017	Nunez	D12/415
D798,783	S	*	10/2017	Li	D12/192
D802,404	S	*	11/2017	Turksu	D12/415
D807,339	S	*	1/2018	Lan	D14/253
D817,257	S	*	5/2018	Lampkin	D12/415
D818,808	S	*	5/2018	Barnett	D8/394
D819,489	S	*	6/2018	Tao	D11/152
9,995,055	B1	*	6/2018	Currid	E04H 15/64
D823,847	S	*	7/2018	Lebovitz	D14/253
D824,736	S	*	8/2018	Yang	D7/707
D825,548	S	*	8/2018	Lebovitz	D14/253
D825,549	S	*	8/2018	Lebovitz	D14/253
D831,661	S	*	10/2018	Yao	D14/447
D833,933	S	*	11/2018	Gibson	D12/192
D836,742	S	*	12/2018	Hill	D21/834
D848,932	S	*	5/2019	Henderson	D12/419
D849,012	S	*	5/2019	Yao	D14/447
D849,622	S	*	5/2019	Woodhouse	D12/192
D850,599	S	*	6/2019	Gobber	D23/368
D850,600	S	*	6/2019	Gobber	D23/368
D851,194	S	*	6/2019	Kidson	D12/103
D852,150	S	*	6/2019	Turksu	D13/183
D858,509	S	*	9/2019	Yao	D12/415
D859,286	S	*	9/2019	He	D12/415
D859,393	S	*	9/2019	Dang	D12/415
D860,190	S	*	9/2019	Liao	D14/253
D860,987	S	*	9/2019	Allgaier	D14/336
D864,035	S	*	10/2019	Hill	D12/103
D864,092	S	*	10/2019	Zhang	D12/415
D874,385	S	*	2/2020	Jang	D12/415
D877,045	S	*	3/2020	Johnson	D12/419
D877,741	S	*	3/2020	Leeds-Frank	D14/447
D877,742	S	*	3/2020	Yao	D14/447
D879,087	S	*	3/2020	Webb	D14/253
D879,278	S	*	3/2020	Scaba	D23/366
D881,771	S	*	4/2020	Xiong	D12/192
D885,278	S	*	5/2020	Jeon	D12/192
D885,279	S	*	5/2020	Lucas	D12/192
D889,454	S	*	7/2020	Liu	D14/253
D890,158	S	*	7/2020	Alves	D14/253
D894,168	S	*	8/2020	Lou	D14/253
D897,253	S	*	9/2020	Choi	D12/192
D897,791	S	*	10/2020	Wesley	D7/701
D899,985	S	*	10/2020	Choi	D12/192
D906,205	S	*	12/2020	Choi	D12/192
D907,626	S	*	1/2021	Barnett	D14/253
D908,687	S	*	1/2021	Lebovitz	D14/253
D913,201	S	*	3/2021	Jia	D12/419
D913,272	S	*	3/2021	Weizel	D14/253
D916,647	S	*	4/2021	Chen	D12/425
D918,645	S	*	5/2021	Swidler	D7/378
D920,888	S	*	6/2021	Miao	D12/415
D922,935	S	*	6/2021	Guo	D12/425
D927,480	S	*	8/2021	Wang	D14/253
D932,420	S	*	10/2021	Bruni	D12/425
D933,557	S	*	10/2021	Zeng	D12/192
D934,232	S	*	10/2021	Francis	D12/415
D934,233	S	*	10/2021	Iverson	D14/253
D936,521	S	*	11/2021	Zhang	D12/103
D938,332	S	*	12/2021	Xie	D12/192
D938,342	S	*	12/2021	Yang	D12/419
D939,494	S	*	12/2021	Leeds-Frank	D12/415
D939,656	S	*	12/2021	Cheng	D21/834
D940,050	S	*	1/2022	Lai	D12/419
D940,520	S	*	1/2022	Avellanet	D7/701
D940,635	S	*	1/2022	Yang	D12/419
D943,496	S	*	2/2022	Brumby	D12/425
D943,524	S	*	2/2022	Zheng	D13/108
D944,787	S	*	3/2022	Zheng	D14/253
D946,493	S	*	3/2022	Huang	D12/425
D948,961	S	*	4/2022	Robinson	D7/620
D953,967	S	*	6/2022	Liu	D12/425
D955,323	S	*	6/2022	Reid	D12/425
D955,376	S	*	6/2022	Li	D14/253
D955,980	S	*	6/2022	Zhao	D13/108
D956,643	S	*	7/2022	Kim	D12/192
D959,354	S	*	8/2022	Wang	D12/416
D959,356	S	*	8/2022	Chen	D12/425
D960,091	S	*	8/2022	Cheng	D13/108
D960,798	S	*	8/2022	Jung	D12/192
D961,536	S	*	8/2022	Xiong	D14/371
D962,827	S	*	9/2022	Larsen	D12/104
D963,548	S	*	9/2022	Zhu	D12/419
D963,549	S	*	9/2022	Li	D12/425
D963,550	S	*	9/2022	Pan	D12/425
D964,258	S	*	9/2022	Tian	D12/425
D964,259	S	*	9/2022	Tian	D12/425
D964,815	S	*	9/2022	Luo	D7/620
D964,913	S	*	9/2022	Yang	D12/425
D964,914	S	*	9/2022	Wei	D12/425
D965,507	S	*	10/2022	Li	D12/425
D966,175	S	*	10/2022	Han	D12/419
D966,254	S	*	10/2022	Zhang	D14/253
D966,997	S	*	10/2022	Zhu	D12/419
D967,748	S	*	10/2022	Han	D12/419
D967,813	S	*	10/2022	Von Bargaen	D14/253
D969,060	S	*	11/2022	Zhang	D12/415
D970,428	S	*	11/2022	Yang	D12/419
2002/0140252	A1	*	10/2002	Neville	B60P 3/341 296/164
2008/0078793	A1	*	4/2008	Brown	B60R 11/0247 224/483
2021/0245646	A1	*	8/2021	MacNeil	B60N 3/107

* cited by examiner

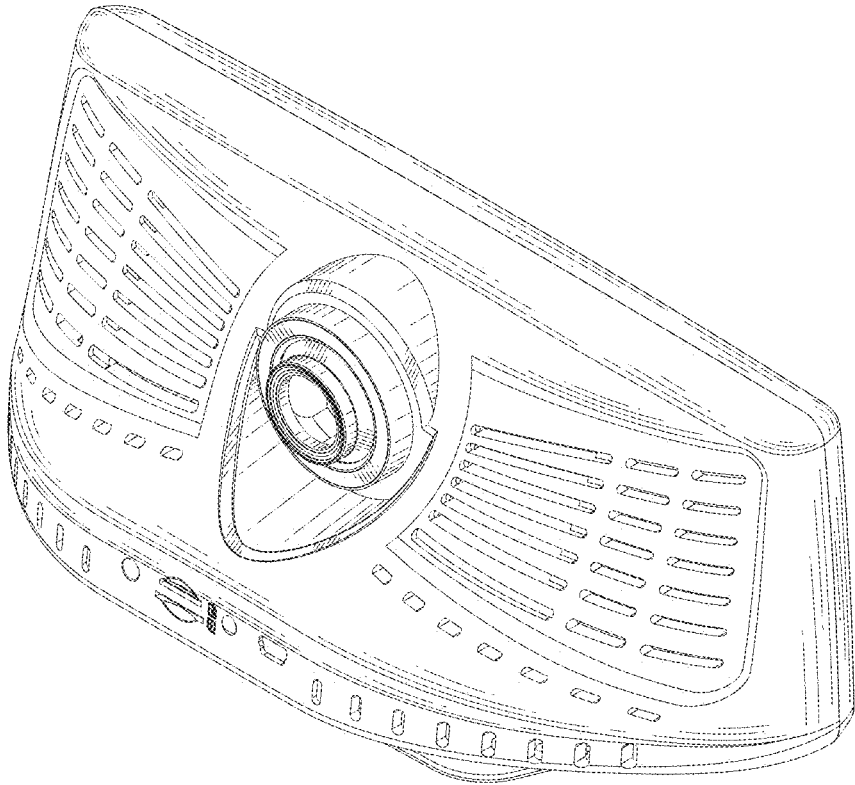


FIG.1

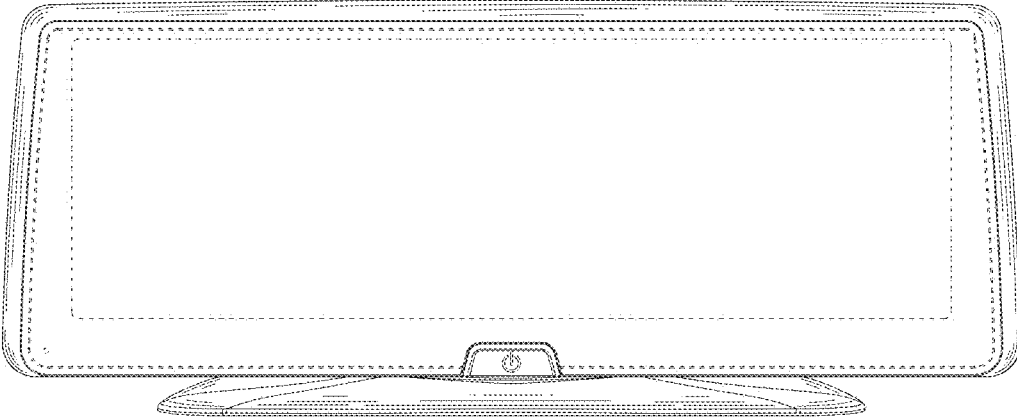


FIG.2

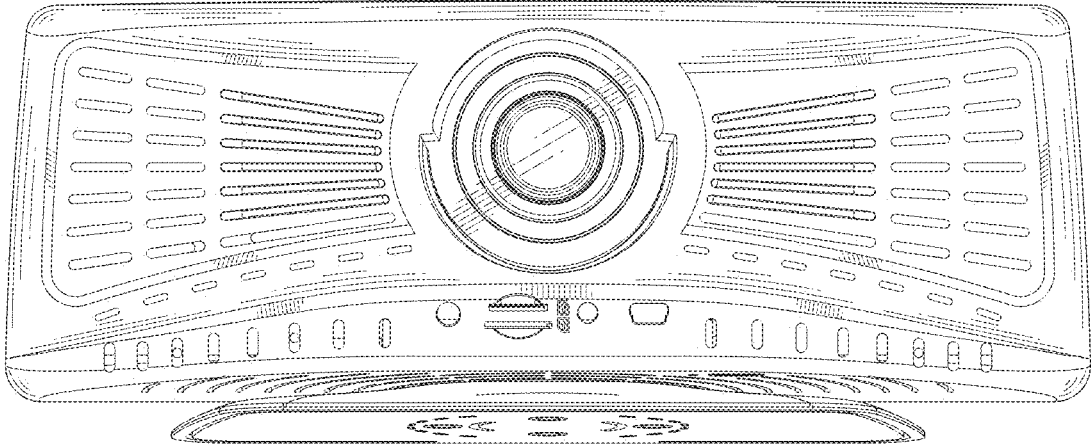


FIG.3

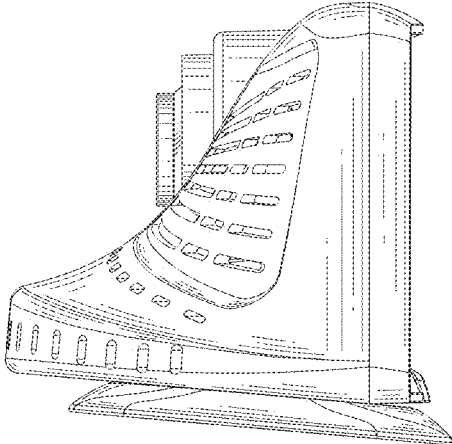


FIG.4

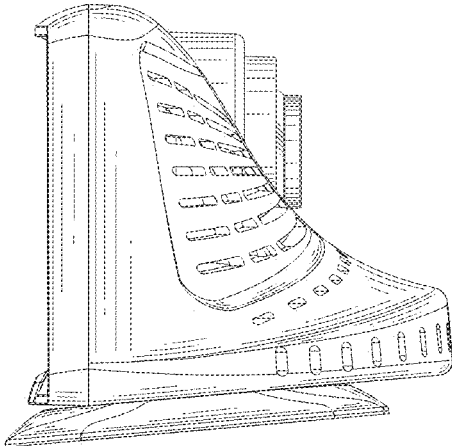


FIG.5

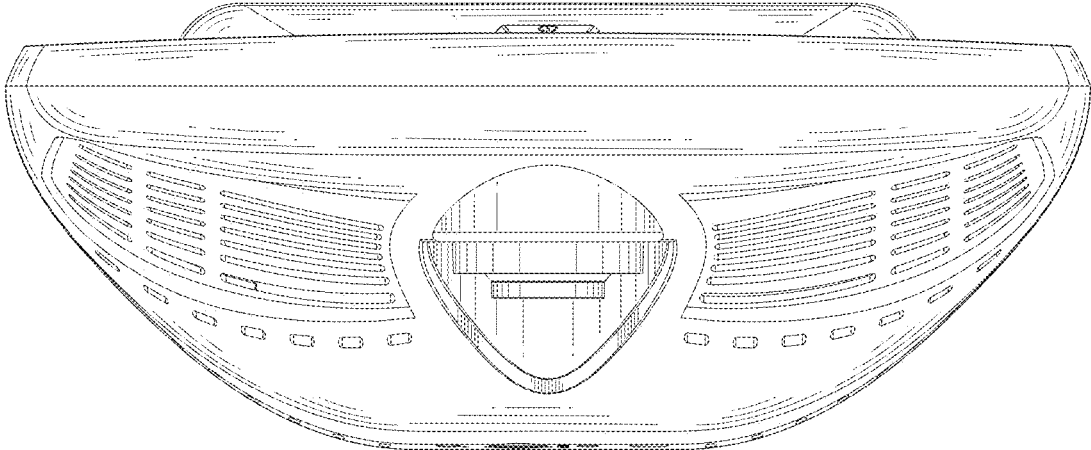


FIG.6

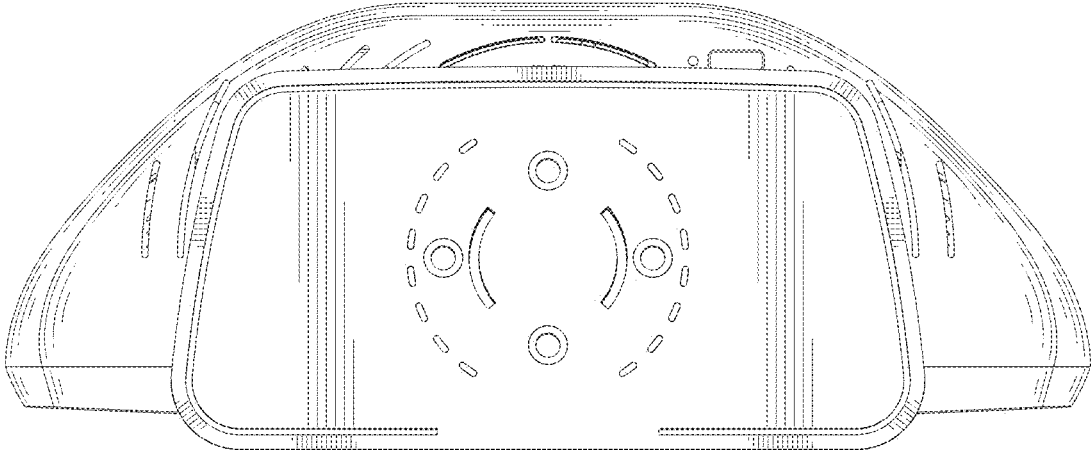


FIG.7