



- (51) **International Patent Classification:**
B29C 67/00 (2006.01) B29C 35/16 (2006.01)
- (21) **International Application Number:**
PCT/IB2009/005583
- (22) **International Filing Date:**
13 May 2009 (13.05.2009)
- (25) **Filing Language:** Italian
- (26) **Publication Language:** English
- (30) **Priority Data:**
VI2008A000109 14 May 2008 (14.05.2008) IT
- (72) **Inventor; and**
- (71) **Applicant : COSTABEBER, Ettore, Maurizio [IT/IT];**
Via Kennedy, 26, I-36010 Zane' (VI) (IT).
- (74) **Agent: BONINI, Ercole; c/o Studio Bonini S.R.L., Corso**
Fogazzaro, 8, I-36100 Vicenza (IT).
- (81) **Designated States** (*unless otherwise indicated, for every kind of national protection available*): AE, AG, AL, AM, AO, AT, AU, AZ, BA, BB, BG, BH, BR, BW, BY, BZ, CA, CH, CN, CO, CR, CU, CZ, DE, DK, DM, DO, DZ, EC, EE, EG, ES, FI, GB, GD, GE, GH, GM, GT, HN, HR, HU, ID, IL, IN, IS, JP, KE, KG, KM, KN, KP, KR,

KZ, LA, LC, LK, LR, LS, LT, LU, LY, MA, MD, ME, MG, MK, MN, MW, MX, MY, MZ, NA, NG, NI, NO, NZ, OM, PG, PH, PL, PT, RO, RS, RU, SC, SD, SE, SG, SK, SL, SM, ST, SV, SY, TJ, TM, TN, TR, TT, TZ, UA, UG, US, UZ, VC, VN, ZA, ZM, ZW.

- (84) **Designated States** (*unless otherwise indicated, for every kind of regional protection available*): ARIPO (BW, GH, GM, KE, LS, MW, MZ, NA, SD, SL, SZ, TZ, UG, ZM, ZW), Eurasian (AM, AZ, BY, KG, KZ, MD, RU, TJ, TM), European (AT, BE, BG, CH, CY, CZ, DE, DK, EE, ES, FI, FR, GB, GR, HR, HU, IE, IS, IT, LT, LU, LV, MC, MK, MT, NL, NO, PL, PT, RO, SE, SI, SK, TR), OAPI (BF, BJ, CF, CG, CI, CM, GA, GN, GQ, GW, ML, MR, NE, SN, TD, TG).

Published:

- with international search report (*Art. 21(3)*)
- before the expiration of the time limit for amending the claims and to be republished in the event of receipt of amendments (*Rule 48.2(h)*)

- (88) **Date of publication of the international search report:**
1 April 2010

(54) **Title:** METHOD FOR MANUFACTURING THREE-DIMENSIONAL OBJECTS AND MACHINE EMPLOYING SAID METHOD

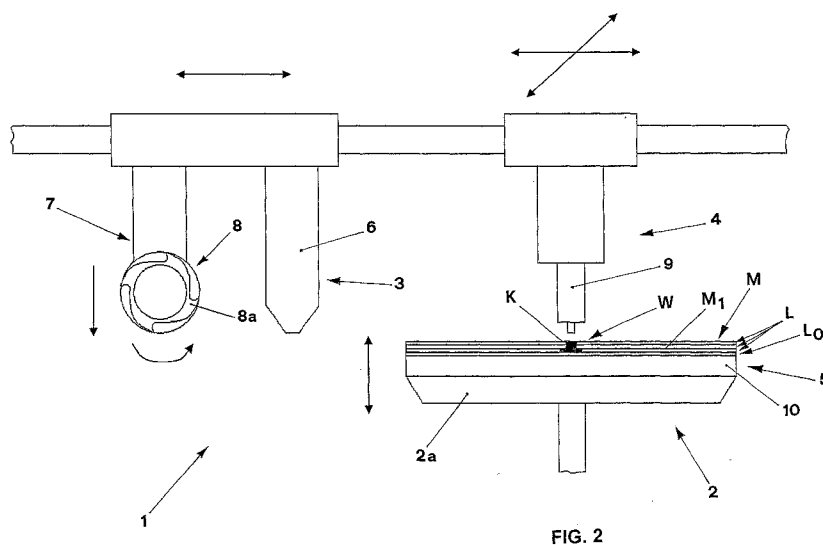


FIG. 2

(57) **Abstract:** Method and apparatus for manufacturing three-dimensional objects (W) consisting of superimposed layers (L) of a base material (M), liquid at ambient temperature and capable of solidifying permanently following a stimulating action. The method comprises the following operations: spreading a layer (L1) of the liquid base material (M) on the preceding layer (L), selectively exposing the layer (L1) to stimulation in one or more predefined areas (K), repeating the spreading operation and the exposure for each successive layer of the three-dimensional object (W), cooling the layers (L) to a predefined operating temperature below ambient temperature before the stimulation, in order to make the base material (M) solidify.



WO 2009/138859 A3

INTERNATIONAL SEARCH REPORT

International application No
PCT/IB2009/005583

A. CLASSIFICATION OF SUBJECT MATTER
 INV. B29C67/00 B29C35/16

According to International Patent Classification (IPC) or to both national classification and IPC

B. FIELDS SEARCHED

Minimum documentation searched (classification system followed by classification symbols)
 B29C

Documentation searched other than minimum documentation to the extent that such documents are included in the fields searched

Electronic data base consulted during the international search (name of data base and, where practical, search terms used)
 EPO-Internal, WPI Data

C. DOCUMENTS CONSIDERED TO BE RELEVANT

Category*	Citation of document, with indication, where appropriate, of the relevant passages	Relevant to claim No.
X	US 5 820 811 A (MURAKAMI TAMOTSU [JP] ET AL) 13 October 1998 (1998-10-13)	1-3,5-6, 9-11, 13-14, 17-20
Y	column 1, lines 6-8	4,7-8,
A	column 2, line 52 - column 3, line 8	12,15
	column 4, line 5 - line 34; figure 2	16
	column 6, line 13 - line 23	
	column 7, line 4 - line 10	
	column 10, line 39 - line 44	
X	US 2004/166187 A1 (FONG JON JODY [US]) 26 August 2004 (2004-08-26)	13,16-19
Y	paragraph [0050] - paragraph [0054]; figures 3,4	7-8,12
	----- -/--	

Further documents are listed in the continuation of Box C. See patent family annex.

* Special categories of cited documents :

"A" document defining the general state of the art which is not considered to be of particular relevance	"T" later document published after the international filing date or priority date and not in conflict with the application but cited to understand the principle or theory underlying the invention
"E" earlier document but published on or after the international filing date	"X" document of particular relevance; the claimed invention cannot be considered novel or cannot be considered to involve an inventive step when the document is taken alone
"L" document which may throw doubts on priority claim(s) or which is cited to establish the publication date of another citation or other special reason (as specified)	"Y" document of particular relevance; the claimed invention cannot be considered to involve an inventive step when the document is combined with one or more other such documents, such combination being obvious to a person skilled in the art.
"O" document referring to an oral disclosure, use, exhibition or other means	"&" document member of the same patent family
"P" document published prior to the international filing date but later than the priority date claimed	

Date of the actual completion of the international search 8 February 2010	Date of mailing of the international search report 16/02/2010
---	---

Name and mailing address of the ISA/ European Patent Office, P.B. 5818 Patentlaan 2 NL - 2280 HV Rijswijk Tel. (+31-70) 340-2040, Fax: (+31-70) 340-3016	Authorized officer Pierre, Nathalie
--	---

INTERNATIONAL SEARCH REPORT

International application No

PCT/IB2009/005583

C(Continuation). DOCUMENTS CONSIDERED TO BE RELEVANT

Category*	Citation of document, with indication, where appropriate, of the relevant passages	Relevant to claim No.
A	US 2005/186508 A1 (NAGANO KAZUHIKO [JP] ET AL) 25 August 2005 (2005-08-25) paragraph [0061] - paragraph [0070]; figures 1a-1g -----	1-20
Y	US 2007/241482 A1 (GILLER EUGENE [US] ET AL) 18 October 2007 (2007-10-18) paragraph [0124]; figure 16 -----	4, 15

INTERNATIONAL SEARCH REPORT

Information on patent family members

International application No

PCT/IB2009/005583

Patent document cited in search report	Publication date	Patent family member(s)	Publication date
US 5820811	A	13-10-1998	NONE
US 2004166187	A1	26-08-2004	NONE
US 2005186508	A1	25-08-2005	NONE
US 2007241482	A1	18-10-2007	NONE