



US00D715729S

(12) **United States Design Patent**
Fontaine et al.

(10) **Patent No.:** **US D715,729 S**

(45) **Date of Patent:** **** Oct. 21, 2014**

- (54) **TIRE**
- (71) Applicant: **The Goodyear Tire & Rubber Company**, Akron, OH (US)
- (72) Inventors: **Sebastien Willy Fontaine**, Vichten (LU); **Armand Rene Gabriel Leconte**, Gralingen (LU); **Stephane Houchard**, Orgeo (BE); **Jean Joseph Victor Collette**, Arlon (BE); **Patrick Paul Deblaize**, Mamer (LU); **Claude Charles Jacoby**, Wesserbillig (LU); **Raymond Marie Joseph Ghislain Houba**, Vaux-sur-sure (BE)

| | | | |
|------------|-----------|---------------|---------|
| D429,194 S | 8/2000 | Heinen et al. | D12/147 |
| D429,478 S | 8/2000 | Heinen et al. | D12/147 |
| D431,800 S | 10/2000 | Heinen et al. | D12/147 |
| D441,328 S | 5/2001 | Heinen et al. | D12/146 |
| D450,032 S | 11/2001 | Heinen | D12/550 |
| D451,454 S | * 12/2001 | Clark et al. | D12/565 |
| D451,853 S | 12/2001 | Heinen et al. | D12/146 |
| D451,856 S | 12/2001 | Graas | D12/147 |
| D451,867 S | * 12/2001 | Clark et al. | D12/566 |
| D451,868 S | 12/2001 | Graas et al. | D12/147 |
| D452,198 S | 12/2001 | Heinen et al. | D12/146 |
| D455,116 S | 4/2002 | Graas et al. | D12/553 |
| D472,514 S | 4/2003 | Himuro | D15/550 |

(Continued)

Primary Examiner — Stacia Cadmus

(74) *Attorney, Agent, or Firm* — Richard B. O’Planick

- (73) Assignee: **The Goodyear Tire & Rubber Company**, Akron, OH (US)

(**) Term: **14 Years**

(21) Appl. No.: **29/443,659**

(22) Filed: **Jan. 21, 2013**

(51) **LOC (10) Cl.** **12-15**

(52) **U.S. Cl.**

USPC **D12/566**

(58) **Field of Classification Search**

USPC D12/533–567, 900–901;

152/209.1–209.9, 209.11–209.19,

152/209.21–209.28, 455

See application file for complete search history.

(56) **References Cited**

U.S. PATENT DOCUMENTS

| | | | | |
|------------|---|---------|----------------|---------|
| D346,774 S | * | 5/1994 | Brayer et al. | D12/565 |
| D347,814 S | * | 6/1994 | Brayer | D12/565 |
| D361,966 S | | 9/1995 | Graas et al. | D12/146 |
| D362,420 S | | 9/1995 | Heinen et al. | D12/147 |
| D379,787 S | | 6/1997 | Maxwell et al. | D12/147 |
| D400,832 S | * | 11/1998 | Dixon et al. | D12/566 |
| D405,730 S | * | 2/1999 | Maxwell | D12/566 |
| D407,678 S | * | 4/1999 | Dixon et al. | D12/566 |

(57) **CLAIM**

The ornamental design for a tire, as shown and described.

DESCRIPTION

FIG. 1 is a perspective view of a tire showing our new design, it being understood that the pattern repeats uniformly throughout the circumference of the tread;

FIG. 2 is a front elevational view thereof;

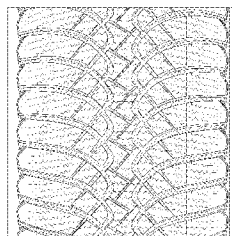
FIG. 3 is a right side elevational view thereof; the other side being a mirror image thereof;

FIG. 4 is an enlarged fragmentary front elevational view thereof;

FIG. 5 is a perspective view of a second embodiment of a tire showing our new design, it being understood that the pattern repeats uniformly throughout the circumference of the tread and that the opposite side view is a mirror image thereof; and, FIG. 6 is a front elevational view of a second embodiment, it being understood that an enlarged fragmentary view thereof would be substantially identical to that shown in FIG. 4, with the exception of the inclusion of the sidewall in solid lines.

In the drawings, the broken lines showing of the sidewall, inner bead and the peripheral boundary between the tire tread and the sidewall in FIGS. 1 through 4 depict environmental subject matter and form no part of the claimed design.

1 Claim, 6 Drawing Sheets



(56)

References Cited

U.S. PATENT DOCUMENTS

| | | | | | | | |
|------------|---------|-----------------------------------|---------|--------------|---------|--------------------------|---------|
| D490,363 S | 5/2004 | Miyasaka et al. | D12/551 | D595,640 S | 7/2009 | de Briey-Terlinden | D12/564 |
| D504,106 S | 4/2005 | de Briey-Terlinden et al. | D12/553 | D596,109 S | 7/2009 | de Briey-Terlinden | D12/553 |
| D504,387 S | 4/2005 | Welbes et al. | D12/549 | D596,557 S | 7/2009 | Park | D12/549 |
| D504,866 S | 5/2005 | Collette et al. | D12/553 | D597,475 S | 8/2009 | Heinen et al. | D12/553 |
| D505,112 S | 5/2005 | Heinen et al. | D12/567 | D597,476 S | 8/2009 | de Briey-Terlinden | D12/553 |
| D533,131 S | 12/2006 | Fontaine et al. | D12/588 | D601,946 S | 10/2009 | Fontaine et al. | D12/553 |
| D548,677 S | 8/2007 | Welbes et al. | D12/553 | D606,007 S | 12/2009 | Fontaine et al. | D12/564 |
| D583,305 S | 12/2008 | Ashton et al. | D12/553 | D610,964 S | 3/2010 | Dixon et al. | D12/552 |
| D586,728 S | 2/2009 | Heinen et al. | D12/547 | D622,657 S | 8/2010 | Leocadio et al. | D12/553 |
| D589,874 S | 4/2009 | Fontaine et al. | D12/564 | D635,912 S | 4/2011 | Knispel | D12/564 |
| D591,221 S | 4/2009 | Fontaine et al. | D12/563 | D638,350 S | 5/2011 | Knispel | D12/564 |
| D592,588 S | 5/2009 | Heinen et al. | D12/564 | D640,184 S | 6/2011 | de Briey-Terlinden | D12/553 |
| D595,639 S | 7/2009 | de Briey-Terlinden | D12/553 | D640,966 S | 7/2011 | Fontaine et al. | D12/564 |
| | | | | D641,305 S | 7/2011 | de Briey-Terlinden | D12/547 |
| | | | | D647,460 S * | 10/2011 | Takahashi | D12/564 |
| | | | | D659,080 S | 5/2012 | Pons et al. | D12/564 |

* cited by examiner

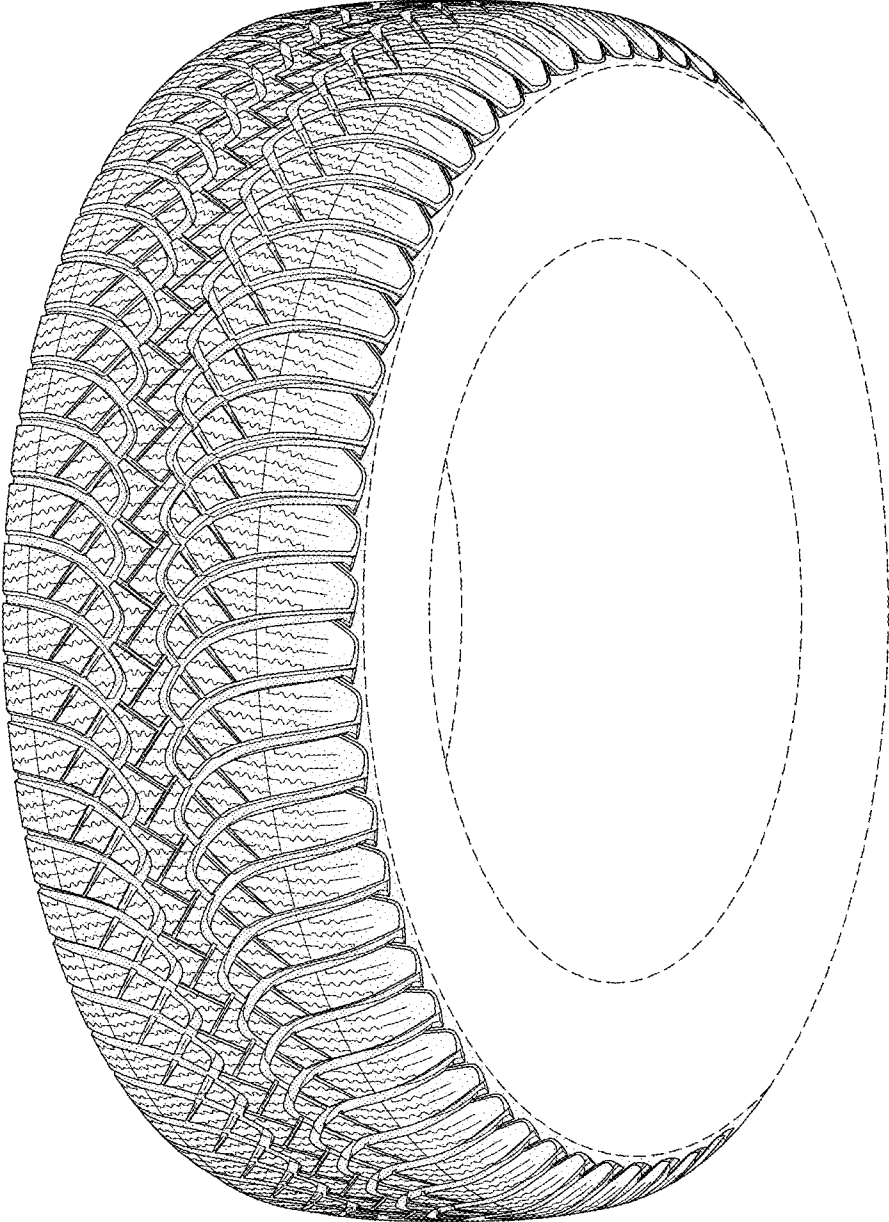


FIG-1

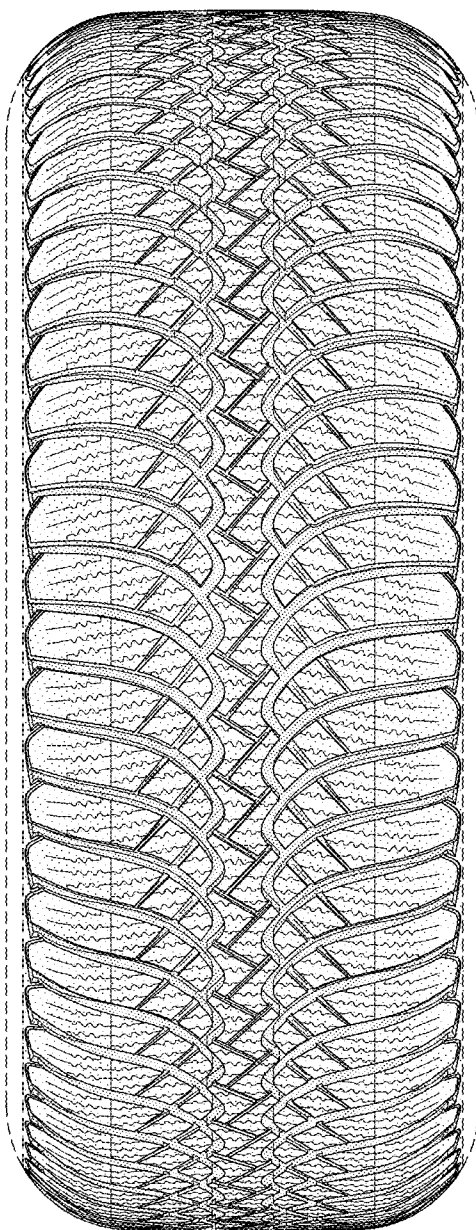


FIG-2

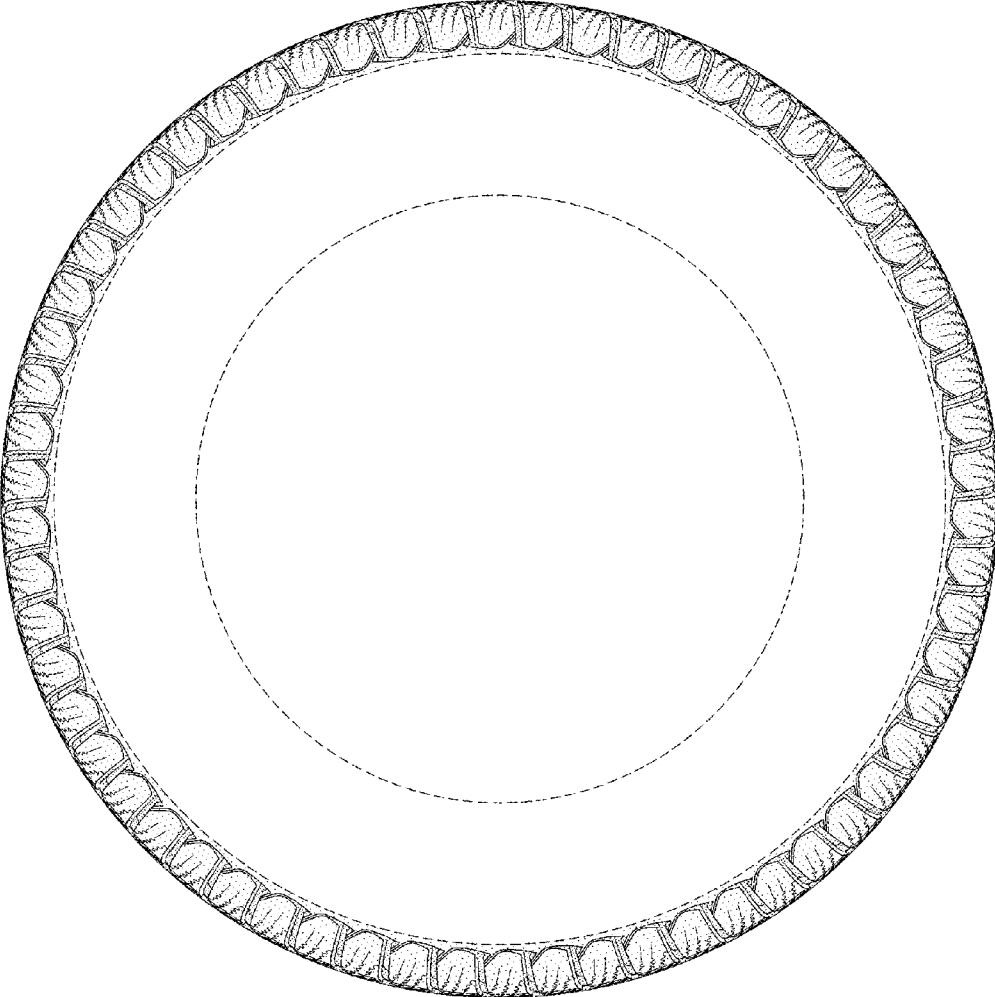


FIG-3

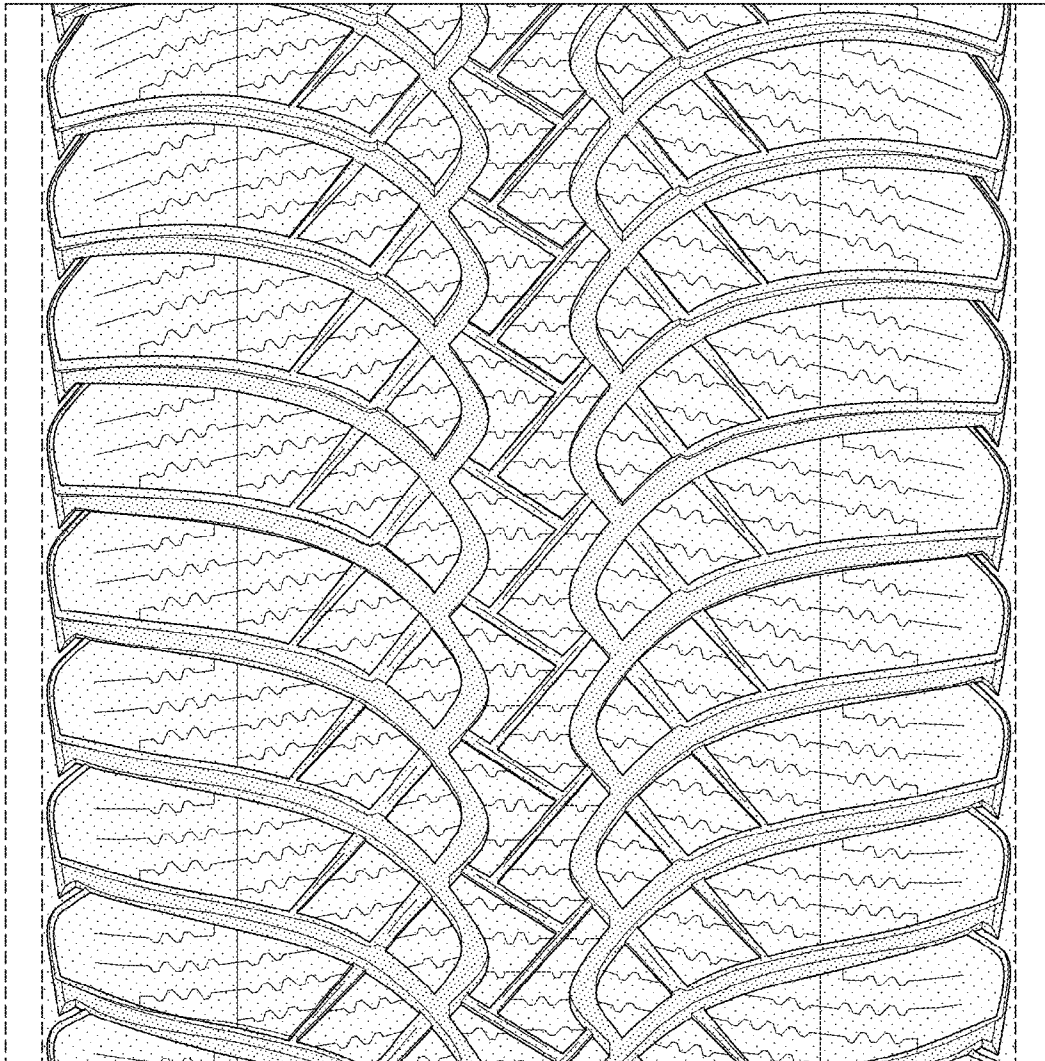


FIG-4

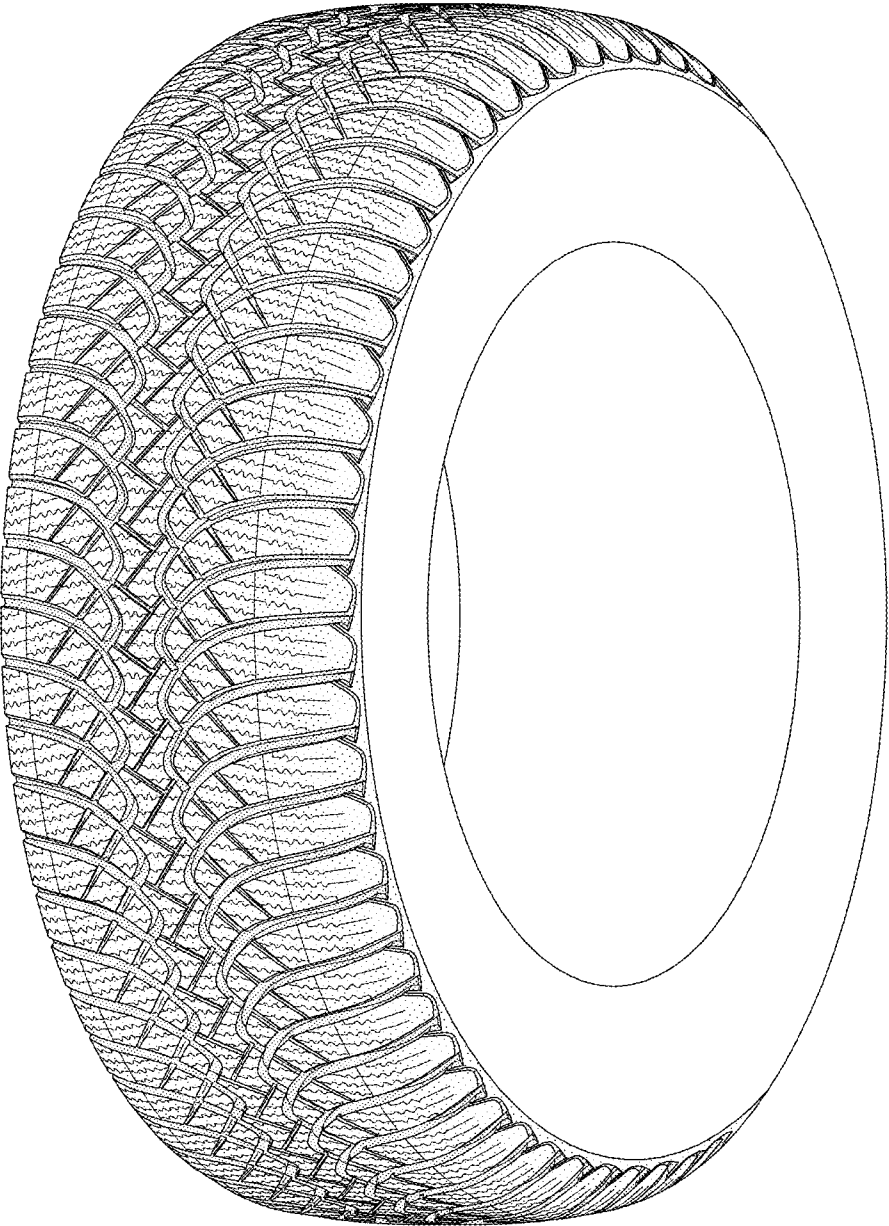


FIG-5

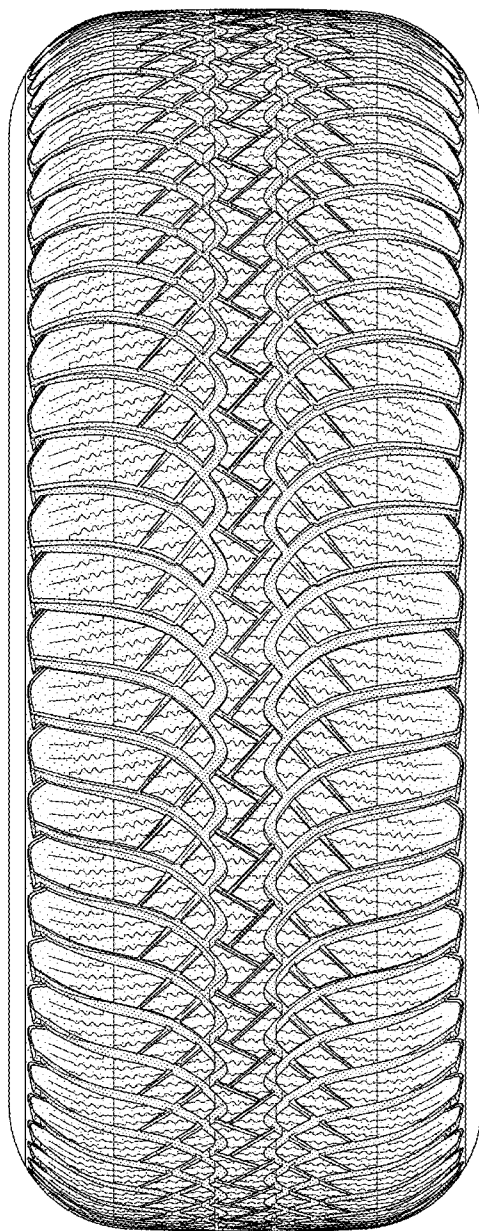


FIG-6