

(19) World Intellectual Property
Organization
International Bureau



(43) International Publication Date
7 August 2003 (07.08.2003)

PCT

(10) International Publication Number
WO 2003/063726 A3

(51) International Patent Classification⁷: **A01K 1/00**

(21) International Application Number:
PCT/US2003/002084

(22) International Filing Date: 24 January 2003 (24.01.2003)

(25) Filing Language: English

(26) Publication Language: English

(30) Priority Data:
10/057,676 25 January 2002 (25.01.2002) US

(63) Related by continuation (CON) or continuation-in-part (CIP) to earlier application:
US 10/057,676 (CIP)
Filed on 25 January 2002 (25.01.2002)

(71) Applicants (for all designated States except US): **TRW AUTOMOTIVE U.S. LLC** [US/US]; 12025 Tech Center

Drive, Livonia, MI 48150 (US). **THE JACKSON LABORATORY** [US/US]; 600 Main Street, Bar Harbor, ME 04609 (US).

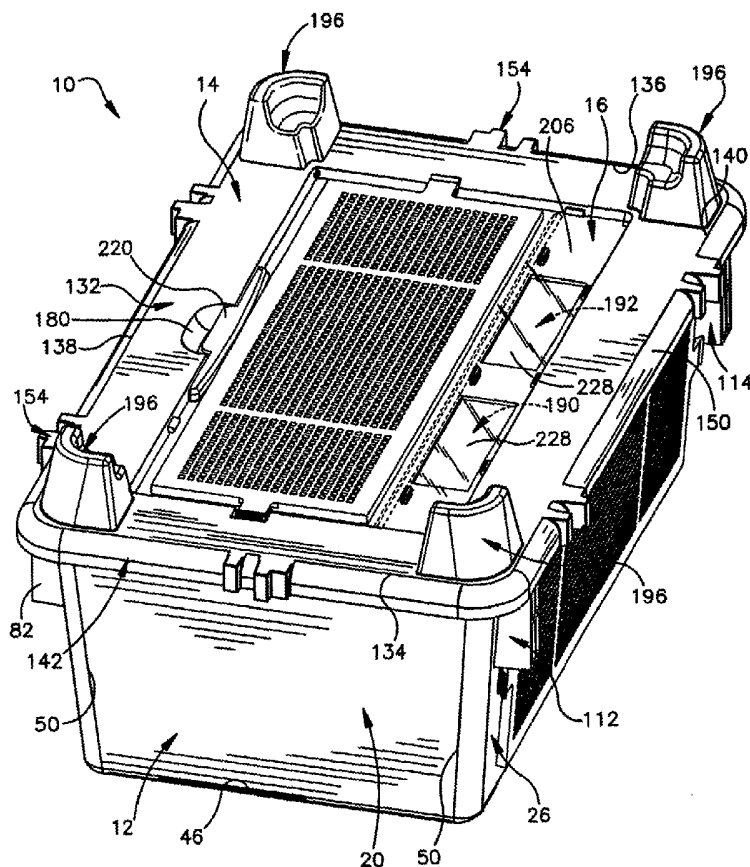
(72) Inventors; and
(75) Inventors/Applicants (for US only): **STRZEMPKO, John, J.** [US/US]; 385 Winchendon Road, Asburnham, MA 01430 (US). **PETERSON, Thomas** [US/US]; 7442 Rush River Drive, Sacramento, CA 95831 (US). **VOLLMER, John** [US/US]; 198 Oak Hill Road, Mount Desert, MI 04660 (US).

(74) Agent: **TAROLLI, Thomas, L.**; Tarolli, Sundheim, Covell, & Tummino L.L.P., Suite 1111, 526 Superior Avenue, Cleveland, OH 44114 (US).

(81) Designated States (national): AE, AG, AL, AM, AT, AU, AZ, BA, BB, BG, BR, BY, BZ, CA, CH, CN, CO, CR, CU, CZ, DE, DK, DM, DZ, EC, EE, ES, FI, GB, GD, GE, GH, GM, HR, HU, ID, IL, IN, IS, JP, KE, KG, KP, KR, KZ, LC,

[Continued on next page]

(54) Title: APPARATUS FOR TRANSPORTING LABORATORY ANIMALS



(57) Abstract: An apparatus (10) for transporting laboratory animals comprises a container (12), a cover piece (14), and a closure piece (16). The container (12) has an open top. The cover piece (14) is connectable with the container (12) for closing the open top of the container (12). The cover piece (14) has a passage (188) through which the at least one laboratory animal passes during insertion into and extraction from a cavity (28). The closure piece (16) includes a portion (234) that is rotatable relative to the cover piece (14) between a first position in which the portion (234) of the closure piece (16) closes the passage (188) in the cover piece (14) and a second position in which the passage (188) in the cover piece (14) is open to permit the insertion and extraction of the at least one laboratory animal through the passage (188).

WO 2003/063726 A3



LK, LR, LS, LT, LU, LV, MA, MD, MG, MK, MN, MW, MX, MZ, NO, NZ, OM, PH, PL, PT, RO, RU, SC, SD, SE, SG, SK, SL, TJ, TM, TN, TR, TT, TZ, UA, UG, US, UZ, VC, VN, YU, ZA, ZM, ZW.

(84) Designated States (regional): ARIPO patent (GH, GM, KE, LS, MW, MZ, SD, SL, SZ, TZ, UG, ZM, ZW), Eurasian patent (AM, AZ, BY, KG, KZ, MD, RU, TJ, TM), European patent (AT, BE, BG, CH, CY, CZ, DE, DK, EE, ES, FI, FR, GB, GR, HU, IE, IT, LU, MC, NL, PT, SE, SI, SK, TR), OAPI patent (BF, BJ, CF, CG, CI, CM, GA, GN, GQ, GW, ML, MR, NE, SN, TD, TG).

Declaration under Rule 4.17:

— *of inventorship (Rule 4.17(iv)) for US only*

Published:

— *with international search report*

(88) Date of publication of the international search report:

11 March 2004

For two-letter codes and other abbreviations, refer to the "Guidance Notes on Codes and Abbreviations" appearing at the beginning of each regular issue of the PCT Gazette.

INTERNATIONAL SEARCH REPORT

International application No.

PCT/US03/02084

A. CLASSIFICATION OF SUBJECT MATTER

IPC(7) : A01K 1/00
 US CL : 119/496, 482, 416, 497

According to International Patent Classification (IPC) or to both national classification and IPC

B. FIELDS SEARCHED

Minimum documentation searched (classification system followed by classification symbols)
 U.S. : 119/496, 482, 416, 497

Documentation searched other than minimum documentation to the extent that such documents are included in the fields searched

Electronic data base consulted during the international search (name of data base and, where practicable, search terms used)

C. DOCUMENTS CONSIDERED TO BE RELEVANT

Category *	Citation of document, with indication, where appropriate, of the relevant passages	Relevant to claim No.
X	US 5,572,953 A (PHELAN et al) 12 November 1996 (12.11.1996), see entire document.	1-4
X	US 2,988,044 A (ADELBERG et al) 13 June 1961 (13.6.1961), see entire document.	16-20

Further documents are listed in the continuation of Box C.

See patent family annex.

* Special categories of cited documents:

"A" document defining the general state of the art which is not considered to be of particular relevance

"E" earlier application or patent published on or after the international filing date

"L" document which may throw doubts on priority claim(s) or which is cited to establish the publication date of another citation or other special reason (as specified)

"O" document referring to an oral disclosure, use, exhibition or other means

"P" document published prior to the international filing date but later than the priority date claimed

"T" later document published after the international filing date or priority date and not in conflict with the application but cited to understand the principle or theory underlying the invention

"X" document of particular relevance; the claimed invention cannot be considered novel or cannot be considered to involve an inventive step when the document is taken alone

"Y" document of particular relevance; the claimed invention cannot be considered to involve an inventive step when the document is combined with one or more other such documents, such combination being obvious to a person skilled in the art

"&" document member of the same patent family

Date of the actual completion of the international search

21 April 2003 (21.04.2003)

Date of mailing of the international search report

15 SEP 2003

Name and mailing address of the ISA/US

Commissioner of Patents and Trademarks
 Box PCT
 Washington, D.C. 20231

Facsimile No. (703)305-3230

Authorized officer

Judith A. Nelson

Telephone No. 306-4180