



US00D771360S

(12) **United States Design Patent**
De Brito

(10) **Patent No.:** **US D771,360 S**

(45) **Date of Patent:** **** Nov. 15, 2016**

- (54) **SANDAL**
- (71) Applicant: **Grendene S.A.**, Sobral (BR)
- (72) Inventor: **Robson Castilho De Brito**, Sobral (BR)
- (73) Assignee: **Grendene S.A.**, Farroupilha RS (BR)
- (**) Term: **15 Years**
- (21) Appl. No.: **29/539,676**
- (22) Filed: **Sep. 16, 2015**
- (51) **LOC (10) Cl.** **02-04**
- (52) **U.S. Cl.**
USPC **D2/917**
- (58) **Field of Classification Search**
USPC D2/896-900, 916-925, 940, 943, 946,
D2/947-952, 969; 36/45, 11.5, 3 A, 3 R,
36/7.5, 7.6, 7.7
CPC A43B 3/12; A43B 3/10; A43B 3/122;
A43B 23/25
See application file for complete search history.

- 3,748,757 A * 7/1973 Silver A43B 3/126
36/11.5
- D259,747 S * 7/1981 Silvanov D2/917
- D554,833 S * 11/2007 Barber D2/917
- D557,485 S * 12/2007 Kelsey D2/917
- D665,155 S * 8/2012 Arnold D2/917
- 9,072,338 B1 * 7/2015 Kostecky A43B 7/26

* cited by examiner

Primary Examiner — Ian Simmons
Assistant Examiner — Rashida C Walshon
 (74) *Attorney, Agent, or Firm* — Luedeka Neely Group, P.C.

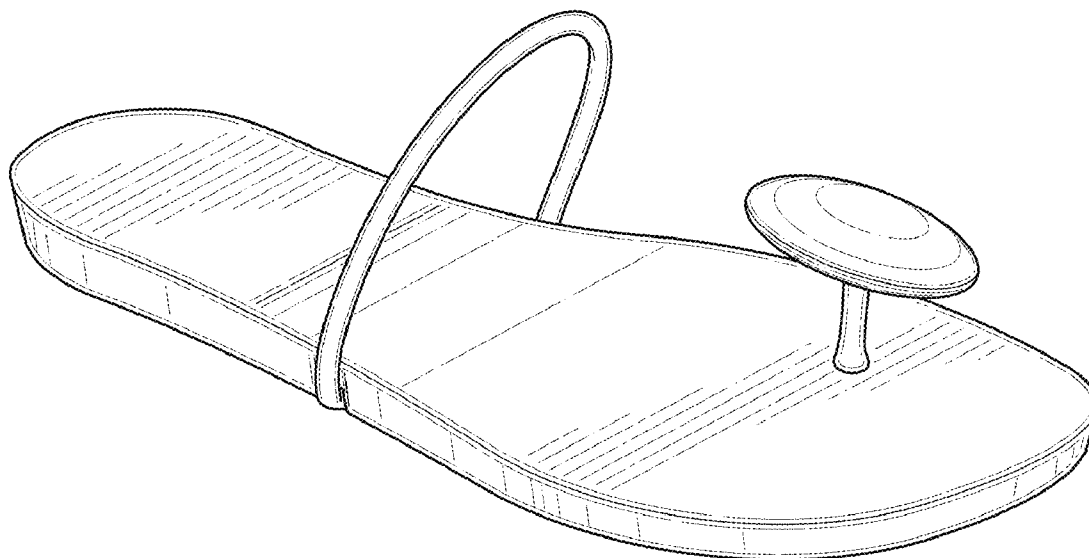
(57) **CLAIM**
 The ornamental design for a sandal, as shown and described.

DESCRIPTION

FIG. 1 is a perspective view of a sandal of my new design. FIG. 2 is a bottom plan view of the sandal of FIG. 1. FIG. 3 is a top plan view of the sandal of FIG. 1. FIG. 4 is a front end view of the sandal of FIG. 1. FIG. 5 is a back end view of the sandal of FIG. 1. FIG. 6 is a left side elevation view of the sandal of FIG. 1; and, FIG. 7 is a right side elevation view of the sandal of FIG. 1. The broken lines in the drawings are included for the purpose of illustrating unclaimed features and form no part of the claimed design.

1 Claim, 4 Drawing Sheets

- (56) **References Cited**
 U.S. PATENT DOCUMENTS
 2,928,191 A * 3/1960 Meltzer A43B 3/103
 2/265
 3,455,037 A * 7/1969 Vlas A43B 3/126
 36/11.5



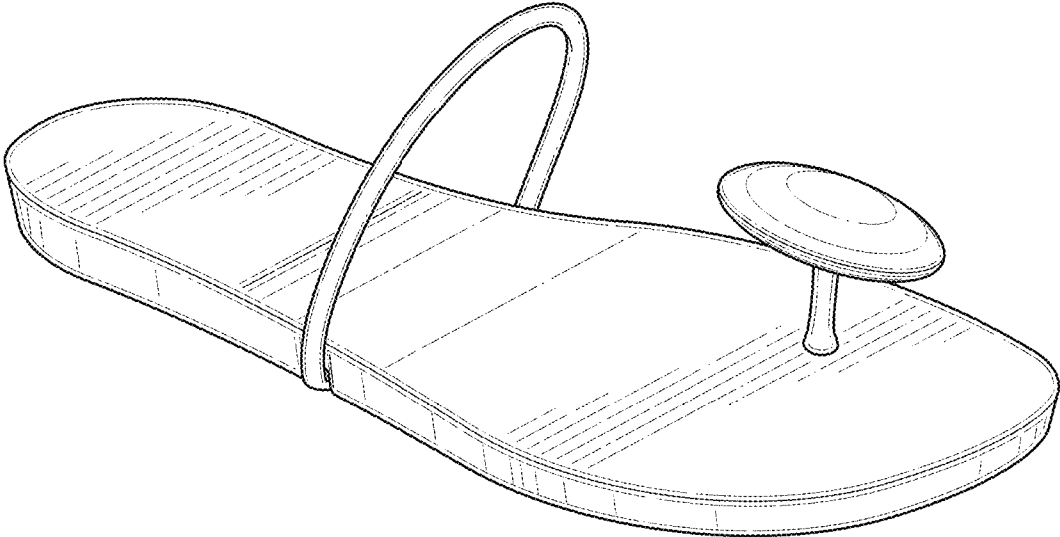


FIG. 1

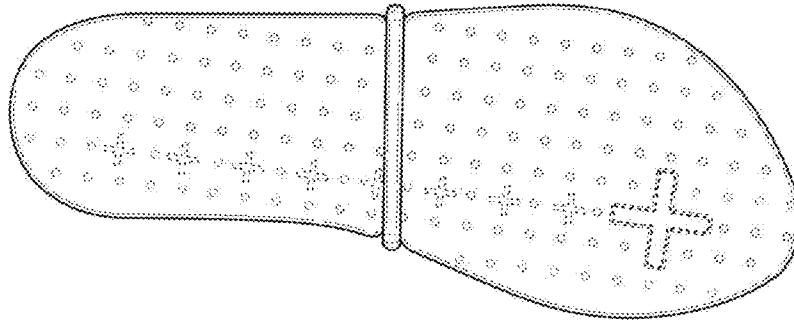


FIG. 2

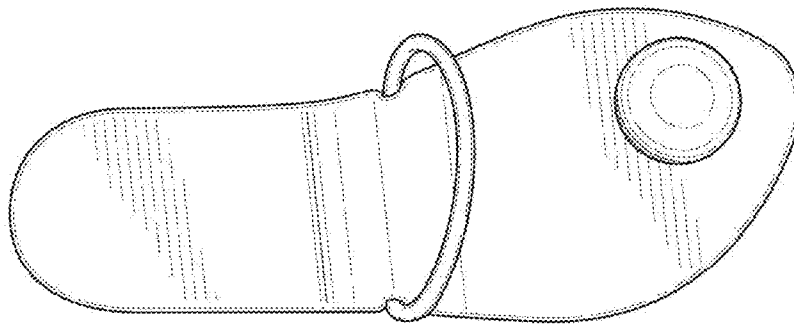


FIG. 3

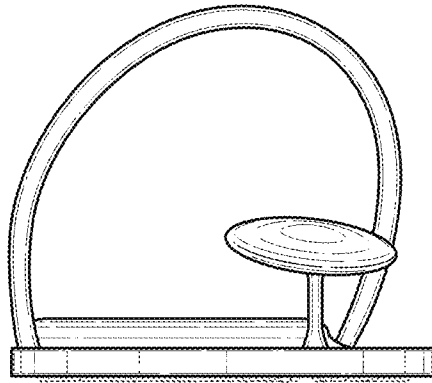


FIG. 4

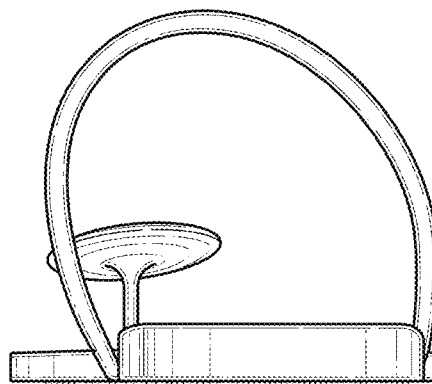


FIG. 5

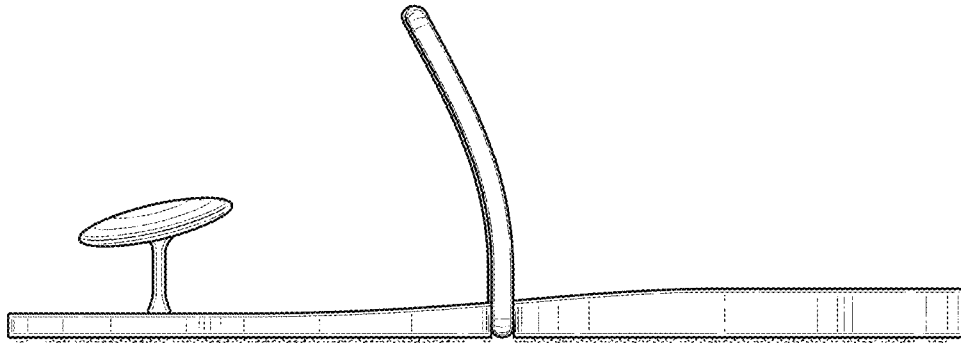


FIG. 6

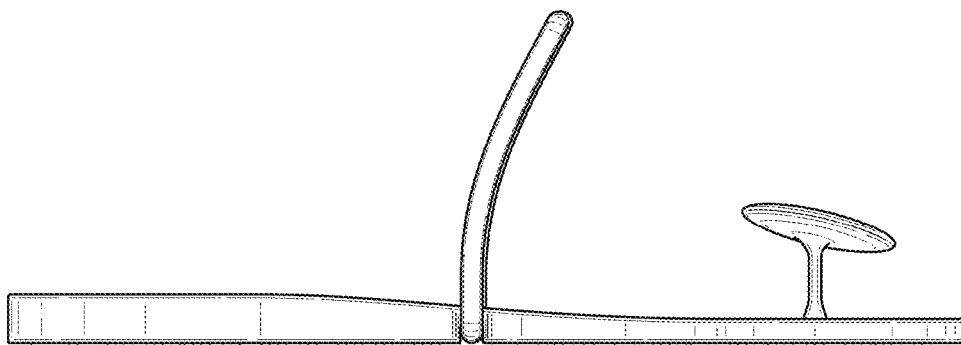


FIG. 7