

(19) World Intellectual Property Organization
International Bureau



(43) International Publication Date
22 April 2004 (22.04.2004)

PCT

(10) International Publication Number
WO 2004/034221 A3

(51) International Patent Classification⁷: A61B 5/00

5567 Hobart Street, 3rd Floor, Pittsburgh, PA 15217 (US).
PELLETIER, Raymond; 1617 El Paso Street, Pittsburgh, PA 15212 (US).

(21) International Application Number:
PCT/US2003/032103

(74) Agents: FRIEDMAN, Barry, I. et al.; Metz Lewis LCC,
11 Stanwix Street, 18th Floor, Pittsburgh, PA 15222 (US).

(22) International Filing Date: 9 October 2003 (09.10.2003)

(25) Filing Language: English

(81) Designated States (national): AE, AG, AL, AM, AT, AU, AZ, BA, BB, BG, BR, BY, BZ, CA, CH, CN, CO, CR, CU, CZ, DE, DK, DM, DZ, EC, EE, ES, FI, GB, GD, GE, GH, GM, HR, HU, ID, IL, IN, IS, JP, KE, KG, KP, KR, KZ, LC, LK, LR, LS, LT, LU, LV, MA, MD, MG, MK, MN, MW, MX, MZ, NO, NZ, OM, PH, PL, PT, RO, RU, SC, SD, SE, SG, SK, SL, TJ, TM, TN, TR, TT, TZ, UA, UG, UZ, VC, VN, YU, ZA, ZM, ZW.

(26) Publication Language: English

(30) Priority Data:
60/417,163 9 October 2002 (09.10.2002) US

(71) Applicant: BODYMEDIA, INC. [US/US]; 4 Smithfield Street, Suite 1200, Pittsburgh, PA 15222 (US).

(72) Inventors: STIVORIC, John; 1411 Hawthorne Street, Pittsburgh, PA 15201 (US). PACIONE, Christopher; 1217 Filson Street, Pittsburgh, PA 15212 (US). TELLER, Eric; 5857 Douglas Street, Pittsburgh, PA 15217 (US). ANDRE, David; 3565 Gerber Avenue, Pittsburgh, PA 15212 (US). KASABACH, Christopher; 5890 Hobart Street, Pittsburgh, PA 15217 (US). BOEHMKE, Scott; 10015 Pine Ridge Drive, Wexford, PA 15090 (US). VISH-NUBHATLA, Suresh; 847 Hill Crest Circle, Wexford, PA 15090 (US). SAFIER, Scott; 507 Gettysburg Street, Pittsburgh, PA 15212 (US). FARRINGDON, Jonathan;

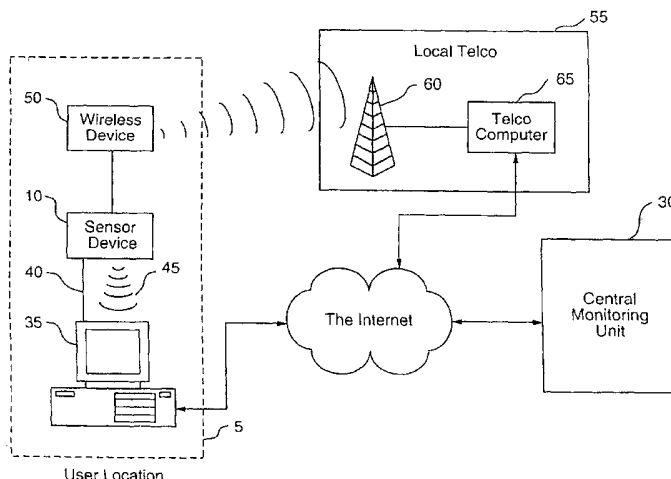
(84) Designated States (regional): ARIPO patent (GH, GM, KE, LS, MW, MZ, SD, SL, SZ, TZ, UG, ZM, ZW), Eurasian patent (AM, AZ, BY, KG, KZ, MD, RU, TJ, TM), European patent (AT, BE, BG, CH, CY, CZ, DE, DK, EE, ES, FI, FR, GB, GR, HU, IE, IT, LU, MC, NL, PT, RO, SE, SI, SK, TR), OAPI patent (BF, BJ, CF, CG, CI, CM, GA, GN, GQ, GW, ML, MR, NE, SN, TD, TG).

Declarations under Rule 4.17:

— as to applicant's entitlement to apply for and be granted a patent (Rule 4.17(ii)) for all designations

[Continued on next page]

(54) Title: APPARATUS FOR DETECTING, RECEIVING, DERIVING AND DISPLAYING HUMAN PHYSIOLOGICAL AND CONTEXTUAL INFORMATION



(57) Abstract: A monitoring apparatus (5) that includes a sensor device (10) and an I/O device in communication with the sensor device that generates derived data using the data from the sensor device. The derived data cannot be directly detected by the associated sensors. Alternatively, an apparatus that includes a wearable sensor device and an I/O device in communication with the sensor device that includes means for displaying information and a dial for entering information. Alternatively, an apparatus for tracking caloric consumption and caloric expenditure data that includes a sensor device and an I/O device in communication with the sensor device. The sensor device includes a processor programmed to generate data relating to caloric expenditure from sensor data. Alternatively, an apparatus for tracking caloric information for an individual that utilizes a plurality of classification identifiers for classifying meals consumed by the individual, each of the classification identifiers having a corresponding caloric amount.

WO 2004/034221 A3



— *as to the applicant's entitlement to claim the priority of the earlier application (Rule 4.17(iii)) for all designations*

Published:

— *with international search report*
— *before the expiration of the time limit for amending the claims and to be republished in the event of receipt of amendments*

(88) Date of publication of the international search report:
13 January 2005

(15) Information about Correction:

Previous Correction:

see PCT Gazette No. 25/2004 of 17 June 2004, Section II

For two-letter codes and other abbreviations, refer to the "Guidance Notes on Codes and Abbreviations" appearing at the beginning of each regular issue of the PCT Gazette.

INTERNATIONAL SEARCH REPORT

International application No.

PCT/US03/32103

A. CLASSIFICATION OF SUBJECT MATTER

IPC(7) : A61B 5/00
 US CL : 600/300

According to International Patent Classification (IPC) or to both national classification and IPC

B. FIELDS SEARCHED

Minimum documentation searched (classification system followed by classification symbols)
 U.S. : 600/300-301; 128/903-904, 920; 705/2-4; 340/573.1

Documentation searched other than minimum documentation to the extent that such documents are included in the fields searched
 NONE

Electronic data base consulted during the international search (name of data base and, where practicable, search terms used)
 WEST 2.1 with plus search

C. DOCUMENTS CONSIDERED TO BE RELEVANT

Category *	Citation of document, with indication, where appropriate, of the relevant passages	Relevant to claim No.
A, P	US 6,478,736 B1 (Mault) 12 November 2002 (12.11.2002), See entire document.	1, 23, 50, 67, 94, 102
A, P	US 6,513,532 B2 (Mault et al) 04 February 2003 (04.02.2003), See entire document.	1, 23, 50, 67, 94, 102
A, E	US 6,790178 B1 (Mault et al) 14 September 2004 (14.09.2004), See entire document.	1, 23, 50, 67, 94, 102

Further documents are listed in the continuation of Box C. See patent family annex.

* Special categories of cited documents:	"T" later document published after the international filing date or priority date and not in conflict with the application but cited to understand the principle or theory underlying the invention
"A" document defining the general state of the art which is not considered to be of particular relevance	"X" document of particular relevance; the claimed invention cannot be considered novel or cannot be considered to involve an inventive step when the document is taken alone
"E" earlier application or patent published on or after the international filing date	"Y" document of particular relevance; the claimed invention cannot be considered to involve an inventive step when the document is combined with one or more other such documents, such combination being obvious to a person skilled in the art
"L" document which may throw doubts on priority claim(s) or which is cited to establish the publication date of another citation or other special reason (as specified)	"&" document member of the same patent family
"O" document referring to an oral disclosure, use, exhibition or other means	
"P" document published prior to the international filing date but later than the priority date claimed	

Date of the actual completion of the international search

12 October 2004 (12.10.2004)

Date of mailing of the international search report

19 NOV 2004

Name and mailing address of the ISA/US

Mail Stop PCT, Attn: ISA/US
 Commissioner for Patents
 P.O. Box 1450
 Alexandria, Virginia 22313-1450

Facsimile No. (703) 305-3230

Authorized officer

Michael Astorino

Telephone No. (703) 306-5648