



US00D794833S

(12) **United States Design Patent**
Singh

(10) **Patent No.:** **US D794,833 S**

(45) **Date of Patent:** **** Aug. 15, 2017**

- (54) **TRIM REVEAL EXTRUSION**
- (71) Applicant: **Joshua George Singh**, Calgary (CA)
- (72) Inventor: **Joshua George Singh**, Calgary (CA)
- (**) Term: **15 Years**
- (21) Appl. No.: **29/559,896**
- (22) Filed: **Mar. 31, 2016**
- (51) **LOC (10) Cl.** **25-01**
- (52) **U.S. Cl.**
USPC **D25/119**
- (58) **Field of Classification Search**
USPC D25/35, 38.1, 41.1, 42, 43, 44, 47.1,
D25/48.1, 48.4, 58, 119-123, 125, 136,
D25/137, 164, 199; 52/62, 169.5, 254,
52/255, 281, 282.1, 287.1, 288.1, 371,
52/459, 461, 465, 471, 472, 716.2, 706,
52/717.01; 160/368.1, 395; D8/349,
D8/354, 355, 366, 373, 377, 380, 381,
D8/403; D20/10, 43, 44
CPC E04F 2013/063; E04F 13/00; E04F 13/06;
E04F 15/142; E04F 19/02; E04F 19/0436;
E04F 19/0495; E04F 19/061; E04F 19/04;
B60R 13/04; B60R 13/0206; B60R 13/02;
A47B 95/00; A47B 96/201; E04C 2/08
See application file for complete search history.

D598,138	S	*	8/2009	Bergmann	D25/121
D598,139	S	*	8/2009	Bergmann	D25/122
D611,743	S	*	3/2010	Mitten	D8/377
D656,603	S	*	3/2012	Egan	D25/136
D689,199	S	*	9/2013	Elizarraras	D25/136
8,745,950	B2	*	6/2014	Ito	E04F 13/0803
						52/311.1
D711,021	S	*	8/2014	Singh	D25/119
D711,555	S	*	8/2014	Singh	D25/119
D742,540	S	*	11/2015	Singh	D25/119
D742,543	S	*	11/2015	Singh	D25/119
D742,548	S	*	11/2015	Singh	D25/119
D746,669	S	*	1/2016	McBride	E04F 19/061
						D25/121
D752,422	S	*	3/2016	Veilleux	D8/377
D767,382	S	*	9/2016	Libreiro	D25/119
2003/0182889	A1	*	10/2003	Takagi	E04F 19/02
						52/579

(Continued)

Primary Examiner — Cynthia Ramirez
Assistant Examiner — Llorellys Martinez-Rivera
 (74) *Attorney, Agent, or Firm* — Tai W. Nahm; Miller Thomson LLP

(57) **CLAIM**

The ornamental design for a trim reveal extrusion, as shown and described.

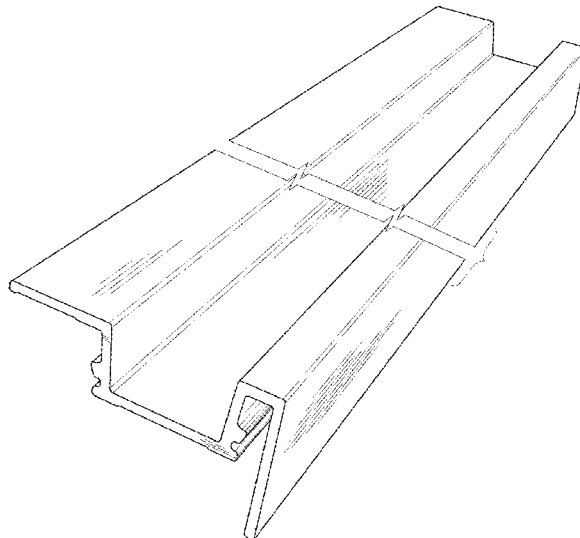
DESCRIPTION

FIG. 1 is a perspective view of a trim reveal extrusion showing my new design.
 FIG. 2 is a cross-sectional view thereof; and,
 FIG. 3 is an end elevational view thereof, showing the trim reveal extrusion in an environment of use.
 The broken lines in FIG. 3 illustrate environmental structure only and form no part of the claimed design. The trim reveal extrusion is shown with a symbolic break in its length. The appearance of any portion of the trim reveal extrusion between the jagged break lines forms no part of the claimed design.

1 Claim, 1 Drawing Sheet

(56) **References Cited**
 U.S. PATENT DOCUMENTS

3,868,803	A	*	3/1975	Bice	E06B 9/02
						D25/48.1
4,000,597	A	*	1/1977	Burton	E04F 19/02
						52/716.1
D357,407	S	*	4/1995	Pate	D8/381
D441,876	S	*	5/2001	Eaton	D25/121
D443,368	S	*	6/2001	Eaton	D25/121
D554,775	S	*	11/2007	Antonic	D25/119
D582,569	S	*	12/2008	Moreau	D25/119



(56)

References Cited

U.S. PATENT DOCUMENTS

2012/0255249	A1*	10/2012	Singh	E04F 19/061
				52/302.1
2015/0082738	A1*	3/2015	Austin	E04F 15/126
				52/717.06

* cited by examiner

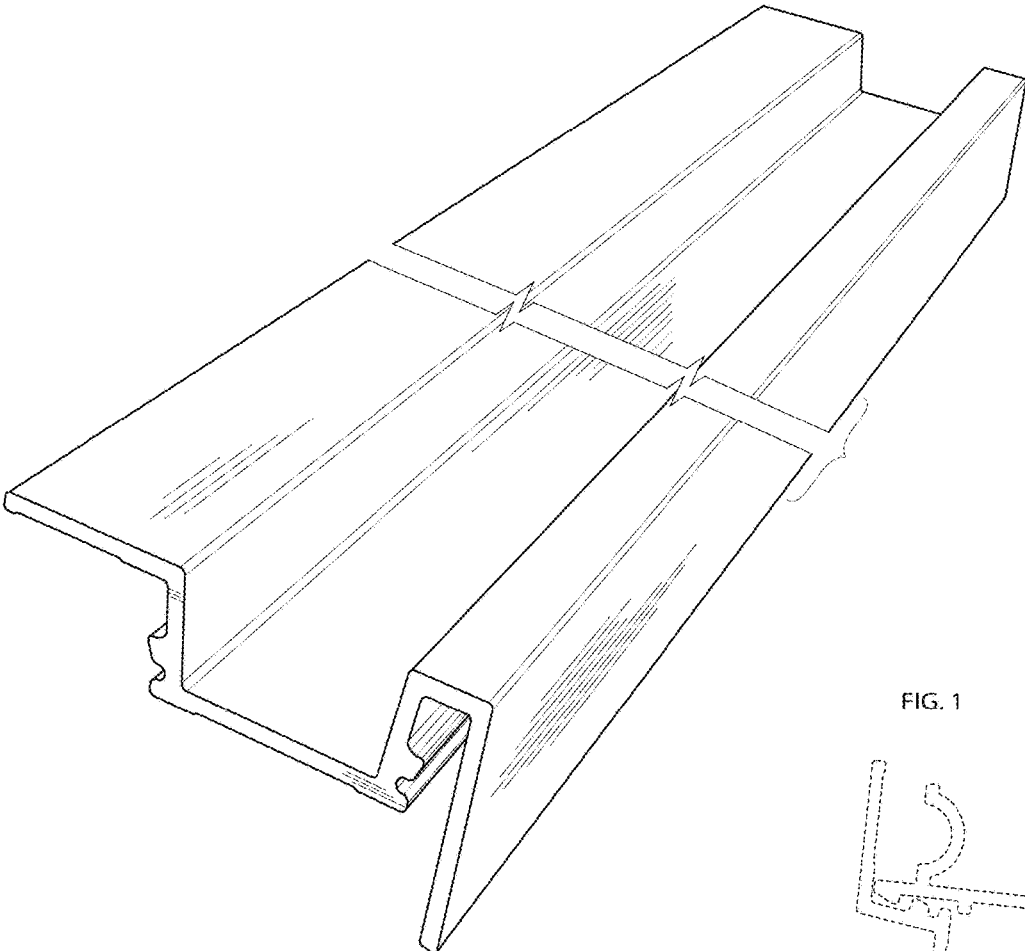


FIG. 1

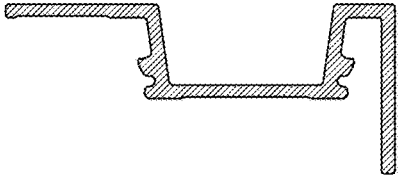


FIG. 2

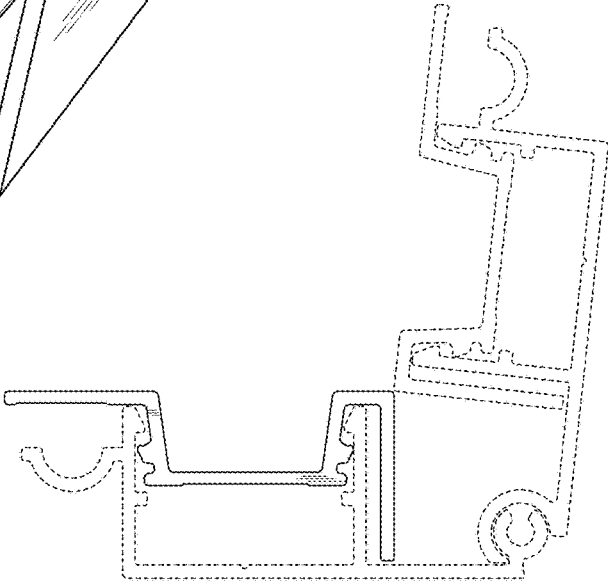


FIG. 3