



US00D776576S

(12) **United States Design Patent**  
**Arbour et al.**

(10) **Patent No.:** **US D776,576 S**

(45) **Date of Patent:** **\*\* Jan. 17, 2017**

- (54) **ELECTRIC BICYCLE** 5,833,259 A \* 11/1998 Stewart ..... B62K 25/08  
280/276
- (71) Applicant: **TECHNOLOGIES BEWEGEN INC.,** 5,841,351 A 11/1998 Rey  
St-Georges, Beauce (CA) 5,917,407 A 6/1999 Squire et al.  
D414,141 S \* 9/1999 Tsai ..... D12/118  
6,006,850 A 12/1999 Yu  
6,081,205 A 6/2000 Williams et al.  
6,249,744 B1 6/2001 Morita  
6,371,230 B1 4/2002 Ciarla et al.  
6,384,717 B1 5/2002 Devolpi  
D464,003 S \* 10/2002 Chen ..... D12/118  
D485,512 S \* 1/2004 Liu ..... D12/111  
(Continued)
- (72) Inventors: **Dominic Arbour**, Montreal (CA);  
**Michel Dallaire**, Montreal (CA); **Colin Cote**, Montreal (CA)
- (73) Assignee: **TECHNOLOGIES BEWEGEN INC.,**  
Saint-Georges (CA)

(\*\*) Term: **14 Years**

**FOREIGN PATENT DOCUMENTS**

- (21) Appl. No.: **29/499,655**
- (22) Filed: **Aug. 18, 2014**
- (51) **LOC (10) Cl.** ..... **12-11**
- (52) **U.S. Cl.**  
USPC ..... **D12/111; D12/118**
- (58) **Field of Classification Search**  
USPC ..... D12/111, 117, 118; 280/274-280, 281.1,  
280/283-288, 288.1-288.4  
CPC ..... B62K 3/00; B62K 3/005; B62K 9/00;  
B62K 19/00; B62K 19/02; B62K 19/04;  
B62K 19/06; B62K 19/16  
See application file for complete search history.

EP	2639144	9/2013
FR	2764261	12/1998

*Primary Examiner* — Darlington Ly  
(74) *Attorney, Agent, or Firm* — Norton Rose Fulbright  
Canada LLP

(57) **CLAIM**

The ornamental design for an electric bicycle, as shown and described.

**DESCRIPTION**

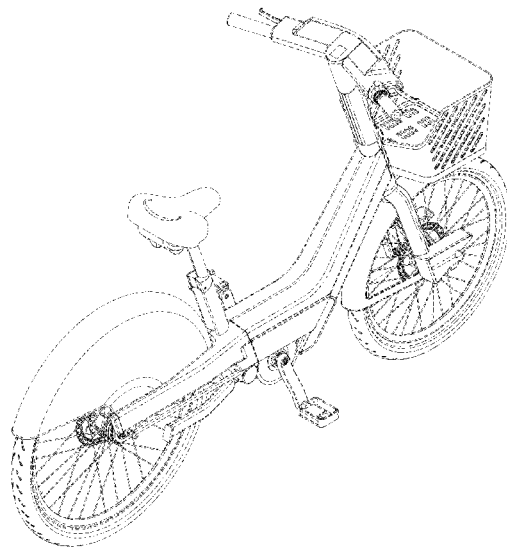
FIG. 1 is a right rear perspective view of an electric bicycle in accordance with our new design;  
FIG. 2 is a left and front perspective view thereof;  
FIG. 3 is a top plan view thereof;  
FIG. 4 is a front elevation view thereof;  
FIG. 5 is a rear elevation view thereof;  
FIG. 6 is a left side elevation view thereof; and,  
FIG. 7 is a right side elevation view thereof.  
The broken lines in the drawings illustrate portions of the electric bicycle that form no part of the claimed design.

**1 Claim, 7 Drawing Sheets**

(56) **References Cited**

**U.S. PATENT DOCUMENTS**

- 4,169,512 A \* 10/1979 Ishikawa et al. .... 180/205.5
- D295,844 S \* 5/1988 Levine ..... D12/118
- D326,249 S \* 5/1992 Chance ..... D12/118
- D340,434 S \* 10/1993 Hammer ..... D12/118
- D344,253 S \* 2/1994 Bishop ..... D12/118
- 5,472,221 A \* 12/1995 Kameda ..... B62K 25/08  
188/24.11
- D368,054 S \* 3/1996 Behrens ..... D12/118
- 5,562,297 A \* 10/1996 Lin ..... B62K 25/08  
188/24.21
- D386,723 S \* 11/1997 Fujieda ..... D12/110



(56)

References Cited

U.S. PATENT DOCUMENTS

D494,108	S *	8/2004	Liao .....	D12/118	8,738,212	B1	5/2014	Schieffelin
6,978,162	B2	12/2005	Russell et al.		2002/0113491	A1	8/2002	Eglit et al.
7,034,665	B2	4/2006	Kojika		2002/0174077	A1	11/2002	Yui et al.
D521,420	S *	5/2006	Cobb .....	D12/118	2003/0034873	A1	2/2003	Chase
7,281,399	B2	10/2007	Gagosz		2004/0203564	A1	10/2004	Ho et al.
7,468,667	B2	12/2008	Moffett		2007/0239465	A1	10/2007	Le Gars
7,471,191	B2	12/2008	Le Gars et al.		2007/0239478	A1	10/2007	Yui et al.
D587,630	S *	3/2009	Yang .....	D12/111	2007/0239627	A1	10/2007	Yui et al.
D593,006	S	5/2009	Dallaire		2007/0250444	A1	10/2007	Yui et al.
D594,787	S	6/2009	Dallaire		2008/0018440	A1	1/2008	Aulbers et al.
D595,618	S	7/2009	Dallaire		2008/0027794	A1	1/2008	Le Gars et al.
D595,646	S	7/2009	McConnell		2008/0034820	A1	2/2008	Gagosz et al.
D597,896	S	8/2009	Dallaire		2008/0042811	A1	2/2008	Le Gars
D600,201	S	9/2009	Dallaire		2008/0135321	A1	6/2008	Ripple et al.
7,631,885	B2	12/2009	Safarik et al.		2008/0174431	A1	7/2008	Rodgers
D614,084	S *	4/2010	Tanaka et al. ....	D12/111	2008/0297108	A1	12/2008	Le Gars
7,726,160	B2	6/2010	Gagosz et al.		2009/0157289	A1	6/2009	Graessley
7,729,822	B2	6/2010	Le Gars et al.		2009/0181826	A1	7/2009	Turner
D620,400	S *	7/2010	Haller et al. ....	D12/111	2009/0201127	A1	8/2009	Stobbe et al.
D620,401	S *	7/2010	Haller et al. ....	D12/111	2009/0240575	A1	9/2009	Bettez et al.
D621,302	S *	8/2010	Tanaka et al. ....	D12/111	2009/0315737	A1	12/2009	Gilmour
D625,228	S *	10/2010	Lockart .....	D12/111	2010/0079266	A1	4/2010	Holt
D626,037	S *	10/2010	Thetard .....	D12/111	2010/0117863	A1	5/2010	Dutt
D626,493	S	11/2010	Dallaire et al.		2010/0228405	A1	9/2010	Morgal et al.
7,869,576	B1	1/2011	Rodkey et al.		2010/0313614	A1	12/2010	Rzepecki
D632,617	S	2/2011	Kritzer et al.		2011/0015814	A1	1/2011	Starr et al.
D634,249	S	3/2011	Dallaire		2011/0037240	A1	2/2011	Krintzae
7,898,439	B2	3/2011	Bettez et al.		2011/0115193	A1	5/2011	Giroux
7,920,054	B2	4/2011	Chen et al.		2011/0121538	A1	5/2011	Giroux
7,946,432	B1	5/2011	Swanson et al.		2011/0148346	A1	6/2011	Gagosz et al.
7,976,048	B2	7/2011	Bartolome Garcia et al.		2011/0161141	A1	6/2011	Bettez et al.
8,013,569	B2	9/2011	Hartman		2011/0226708	A1	9/2011	Mercat
8,061,499	B2	11/2011	Khairallah		2011/0307394	A1	12/2011	Rzepecki
D651,539	S *	1/2012	Thetard .....	D12/111	2012/0042725	A1	2/2012	Cote et al.
8,119,968	B2	2/2012	Bigolin		2012/0080252	A1*	4/2012	Nishimori ..... 180/65.51
8,121,785	B2	2/2012	Swisher et al.		2012/0086183	A1	4/2012	Ken
8,272,491	B2	9/2012	Khairallah		2012/0109511	A1	5/2012	Swisher et al.
D668,216	S	10/2012	Dallaire		2012/0196631	A1	8/2012	Fajstrup Axelsen
8,280,619	B2	10/2012	Watkins		2012/0239248	A1	9/2012	Bobbitt
8,319,091	B2	11/2012	Lyden		2012/0313568	A1	12/2012	Paluszek et al.
D673,902	S	1/2013	Dallaire		2013/0031121	A1	1/2013	Sera et al.
D675,132	S *	1/2013	Colp .....	D12/118	2013/0042542	A1	2/2013	Welschholz
8,364,388	B2	1/2013	Naito		2013/0049674	A1	2/2013	Davis
8,364,389	B2	1/2013	Dorogusker et al.		2013/0063283	A1	3/2013	Kashima
8,375,655	B1	2/2013	Welschholz		2013/0073428	A1	3/2013	Thramann
8,432,270	B2	4/2013	Lee et al.		2013/0076294	A1	3/2013	Smith
8,437,873	B2	5/2013	North		2013/0076295	A1	3/2013	Tsai et al.
8,438,946	B2	5/2013	Giroux		2013/0080254	A1	3/2013	Thramann et al.
8,448,971	B2	5/2013	Giroux		2013/0127395	A1	5/2013	Santos Silva Serra Duarte
8,504,236	B2	8/2013	Guo et al.		2013/0150028	A1	6/2013	Akins et al.
8,508,333	B2	8/2013	Kanof		2013/0158868	A1	6/2013	Chen et al.
8,517,162	B2	8/2013	Khairallah		2013/0166998	A1	6/2013	Sutherland
8,536,993	B2	9/2013	Ayotte et al.		2013/0173159	A1	7/2013	Trum et al.
8,538,688	B2	9/2013	Prehofer		2013/0193091	A1	8/2013	Kritzer et al.
8,577,528	B2	11/2013	Uyeki et al.		2013/0255336	A1	10/2013	Dallaire
8,630,791	B2	1/2014	Yuasa		2013/0268448	A1	10/2013	Kanof
8,678,205	B2	3/2014	Mercat		2014/0021908	A1	1/2014	McCool et al.
8,706,404	B2	4/2014	Crane		2014/0136281	A1	5/2014	Culver et al.
8,710,791	B2	4/2014	Gochenaur		2014/0155100	A1	6/2014	Baldasare et al.
8,725,410	B2	5/2014	Ando et al.		2014/0156108	A1	6/2014	Reich
					2014/0209400	A1*	7/2014	Yao et al. .... 180/167

\* cited by examiner

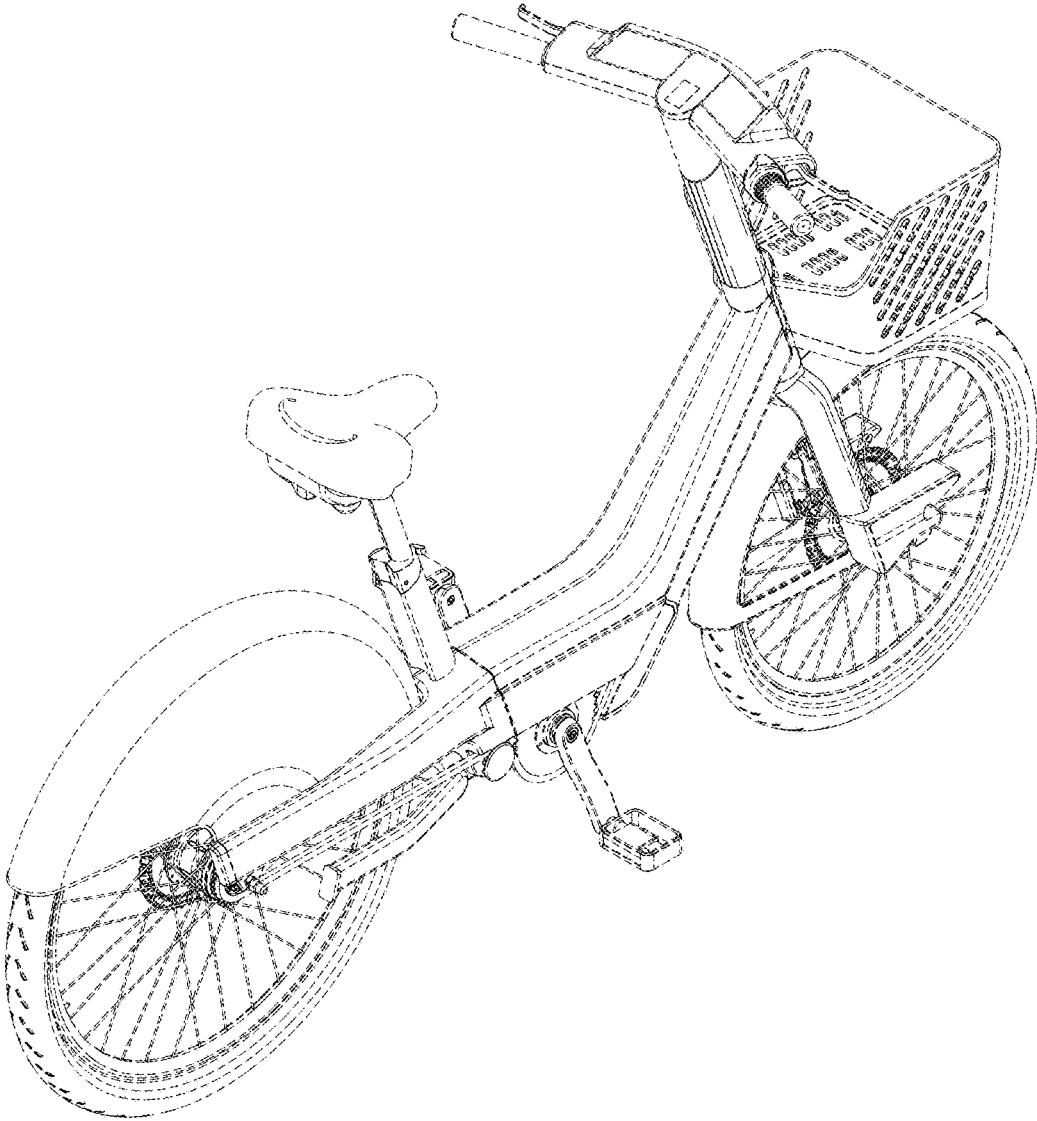


FIG-1

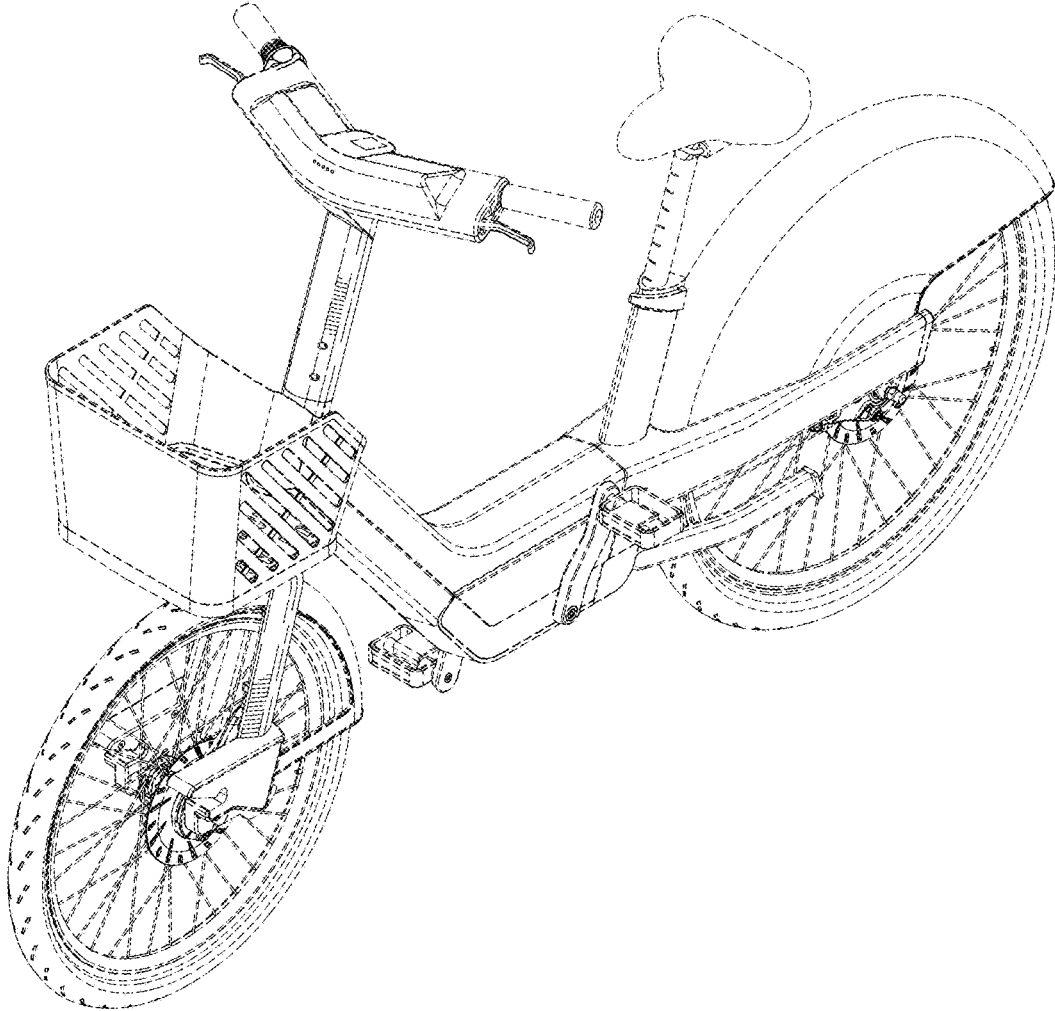


FIG. 2

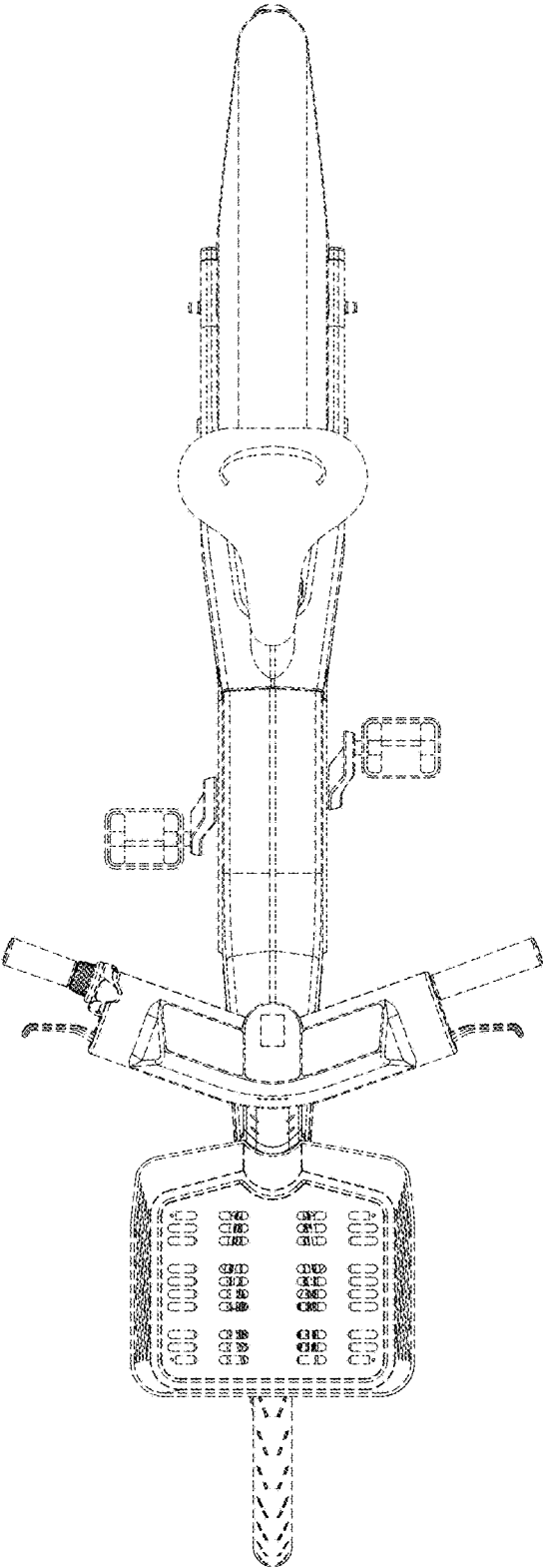


FIG. 3

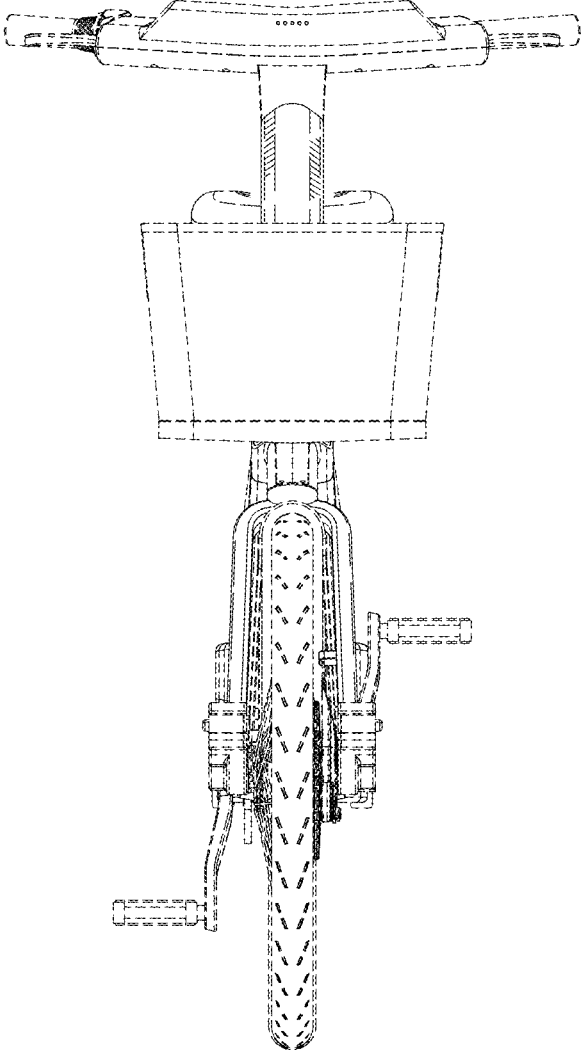


Fig-4

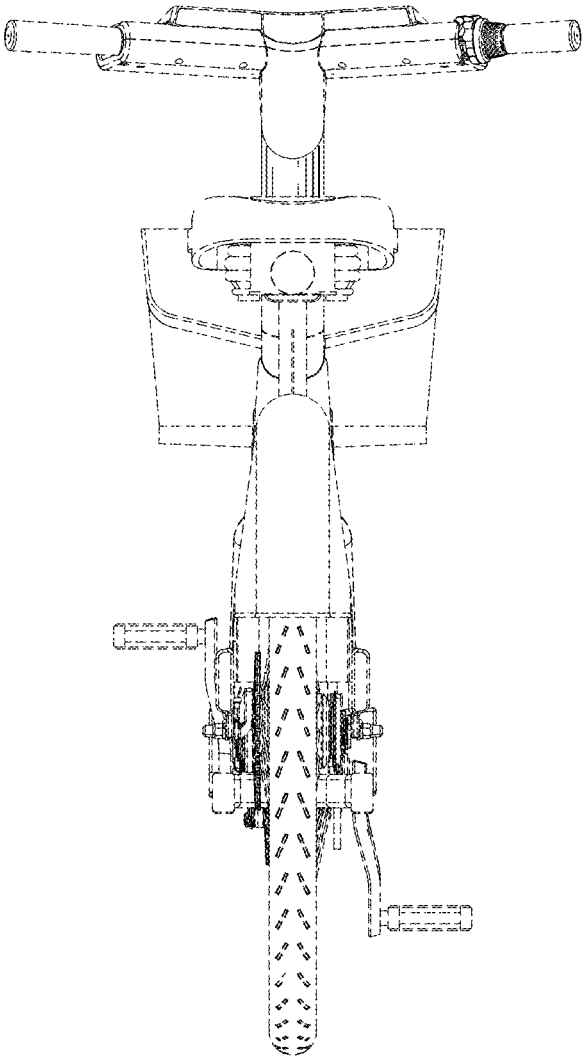


Fig-5

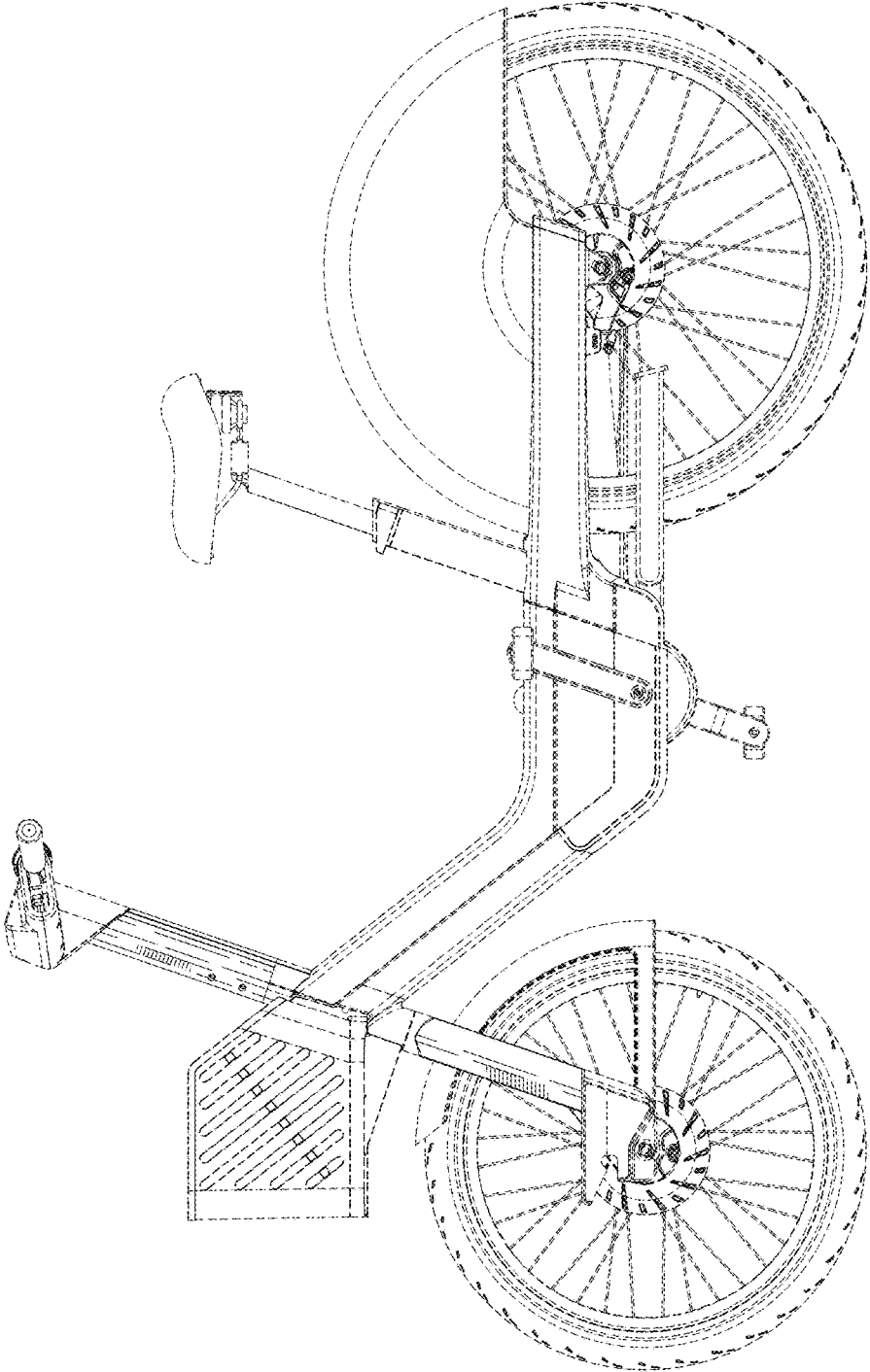


FIG. 6



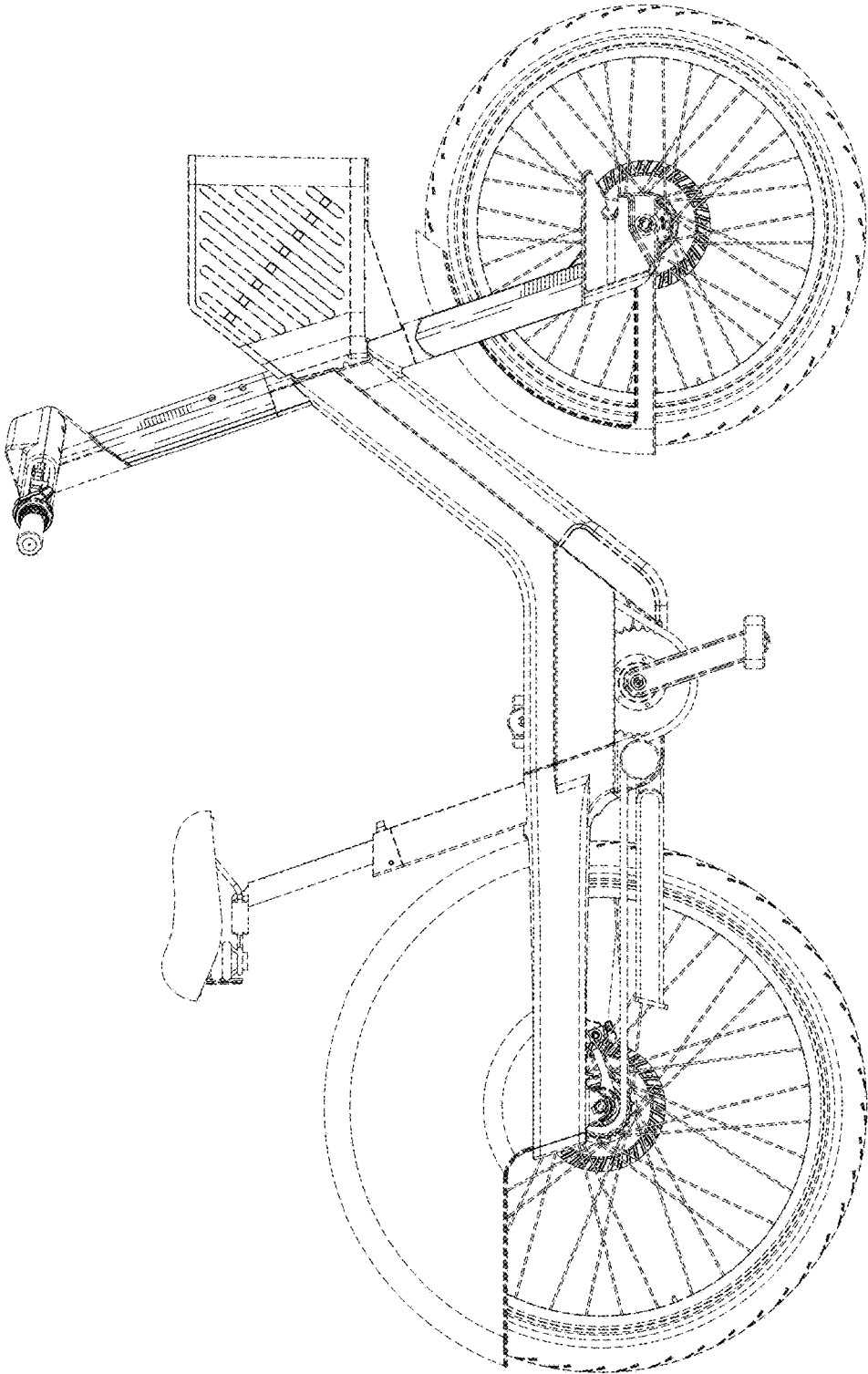


FIG-7