



US00D763869S

(12) **United States Design Patent**
Wang et al.

(10) **Patent No.:** **US D763,869 S**

(45) **Date of Patent:** **** Aug. 16, 2016**

- (54) **DISPLAY SCREEN WITH A GRAPHICAL USER INTERFACE**
- (71) Applicants: **Beijing Qihoo Technology Co. Ltd.**, Beijing (CN); **Qizhi Software (Beijing) Co. Ltd.**, Beijing (CN)
- (72) Inventors: **Dongbin Wang**, Beijing (CN); **Jingbo Huang**, Beijing (CN)
- (73) Assignees: **Beijing Qihoo Technology Co. Ltd.**, Beijing (CN); **Qizhi Software (Beijing) Co. Ltd.**, Beijing (CN)
- (**) Term: **14 Years**

D594,468	S	*	6/2009	Bamford	D14/488
D644,243	S	*	8/2011	Matas	D14/489
D650,793	S	*	12/2011	Impas	D14/489
D651,612	S	*	1/2012	Impas	D14/489
D687,063	S	*	7/2013	Myung	D14/489
D702,700	S	*	4/2014	Thompson	D14/485
D704,220	S	*	5/2014	Lim	D14/492
8,959,457	B2	*	2/2015	Reed	G06F 3/0481 715/763
D726,221	S	*	4/2015	Gomez	D14/492
D726,748	S	*	4/2015	Maekawa	D14/486
D736,256	S	*	8/2015	Kwon	D14/492
D738,393	S	*	9/2015	Lee	D14/486
D742,897	S	*	11/2015	Matas	D14/485
9,183,560	B2	*	11/2015	Abelow	G06Q 10/067
D745,527	S	*	12/2015	Wang	D14/485
D749,105	S	*	2/2016	Daniel	D14/486
D751,606	S	*	3/2016	Yu	D14/494

(Continued)

(21) Appl. No.: **29/507,815**

(22) Filed: **Oct. 30, 2014**

(30) **Foreign Application Priority Data**

May 1, 2014 (CN) 2014 3 0114596

(51) **LOC (10) Cl.** **14-04**

(52) **U.S. Cl.**
USPC **D14/485**

(58) **Field of Classification Search**
USPC D14/485-495; 715/763, 834
CPC ... G06F 3/04847; G06F 3/0488; G06T 13/80;
G06Q 10/063114
See application file for complete search history.

(56) **References Cited**

U.S. PATENT DOCUMENTS

D429,252	S	*	8/2000	Haitani	D14/492
7,076,738	B2	*	7/2006	Baker	G06F 3/04817 715/763
D562,344	S	*	2/2008	Anderson	D14/488
D587,723	S	*	3/2009	Lee	D14/486
D593,116	S	*	5/2009	Garcia	D14/487

Primary Examiner — Barbara Fox

Assistant Examiner — Kimberly Barnes

(74) *Attorney, Agent, or Firm* — Baker & Hostetler LLP

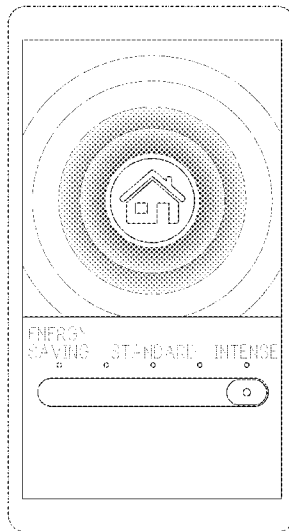
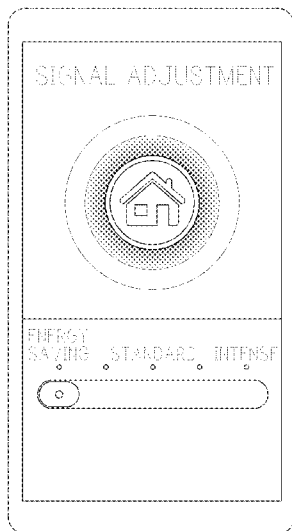
(57) **CLAIM**

We claim the ornamental design for a display screen with a graphical user interface, as shown and described.

DESCRIPTION

FIG. 1 is a front view of a first embodiment of a display screen with a graphical user interface showing the new design; FIG. 2 is a front view of a second embodiment thereof; FIG. 3 is a front view of a third embodiment thereof; FIG. 4 is a front view of a fourth embodiment thereof; and, FIG. 5 is a front view of a fifth embodiment thereof. The broken line showing of the outermost rectangle in the drawings depicts environmental subject matter and forms no part of the claimed design. The remaining broken lines illustrate portions of the display screen with a graphical user interface that form no part of the claimed design.

1 Claim, 3 Drawing Sheets



US D763,869 S

Page 2

(56)

References Cited

U.S. PATENT DOCUMENTS

D753,132 S *	4/2016	Cuthbert	D14/485	2014/0180725 A1 *	6/2014	Ton-That	G06Q 10/10
2013/0091468 A1 *	4/2013	Xie	H04M 1/67	2016/0026423 A1 *	1/2016	Zenoff	705/4
			715/835				G06F 3/1407
							345/156

* cited by examiner

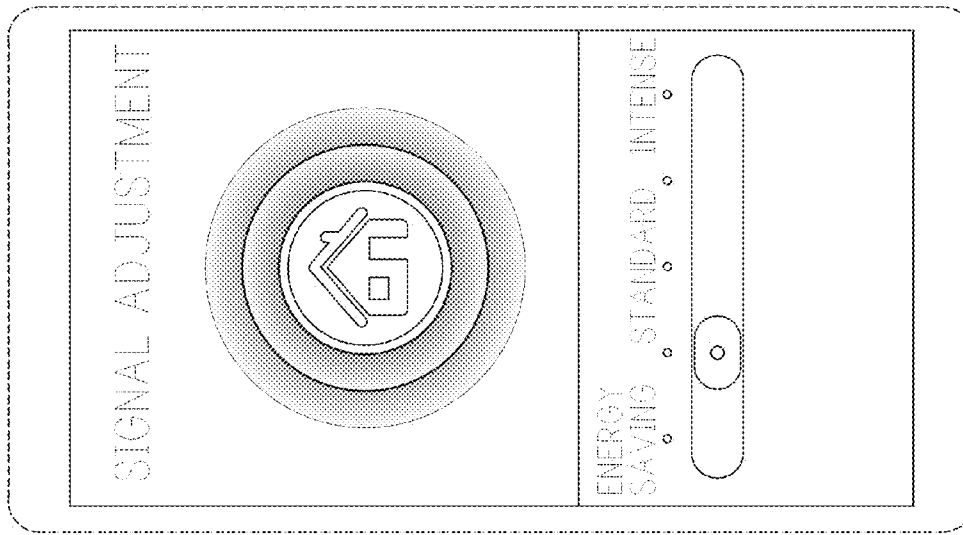


FIG. 1

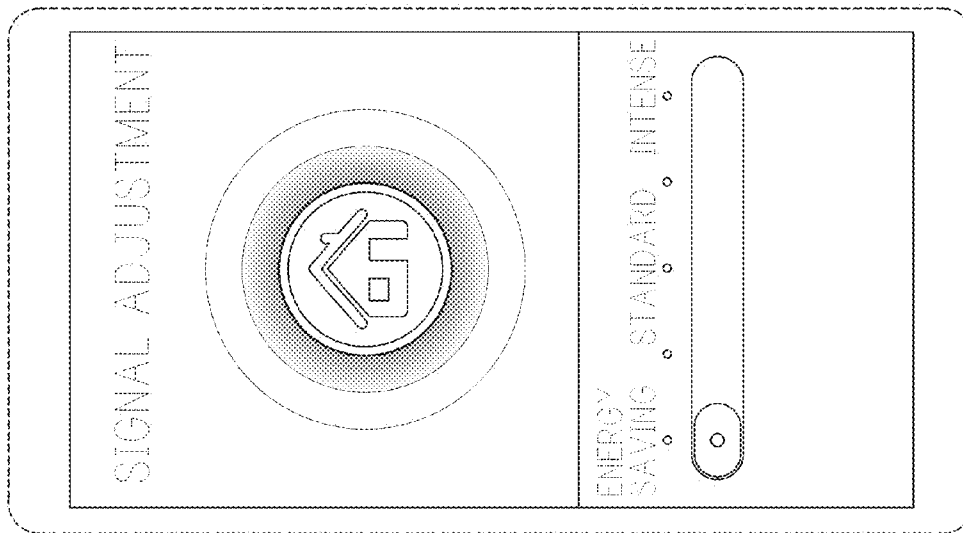


FIG. 2

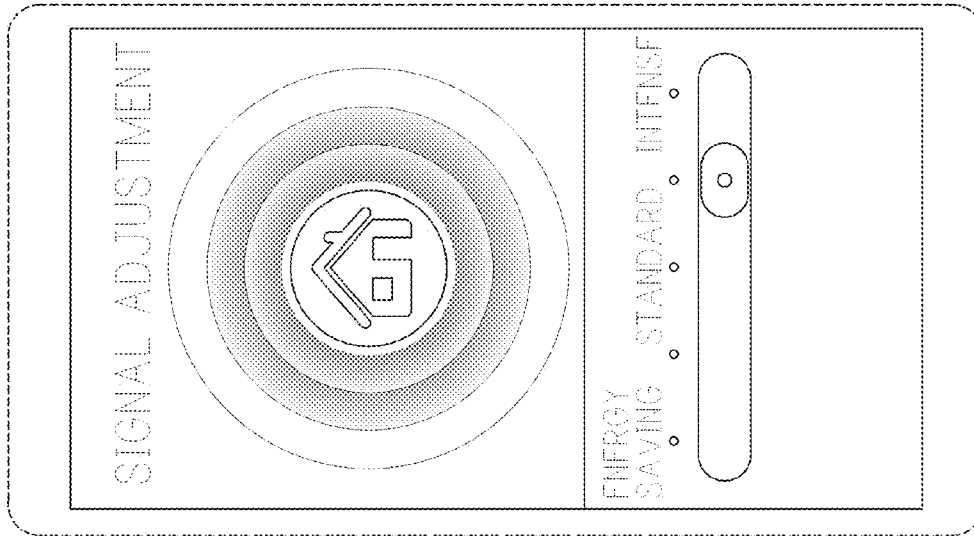


FIG. 3

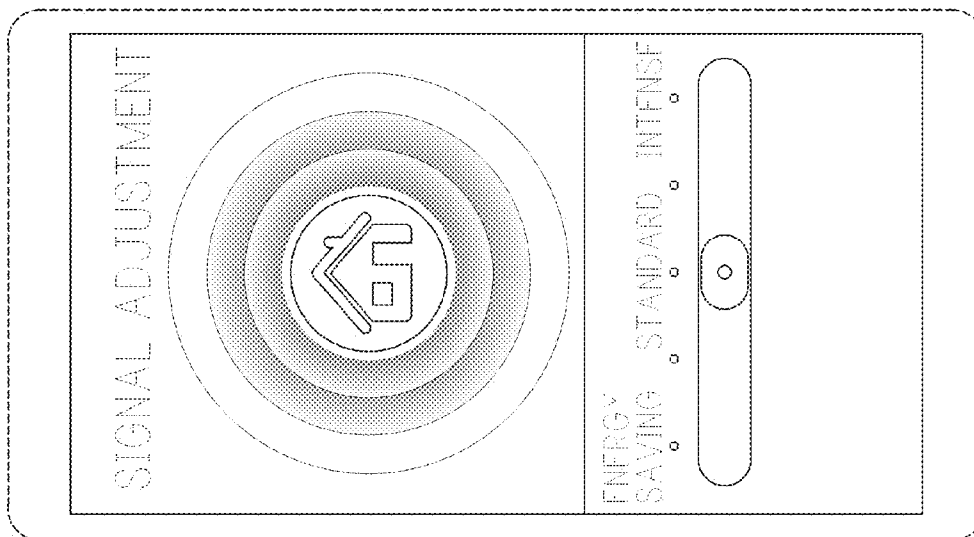


FIG. 4

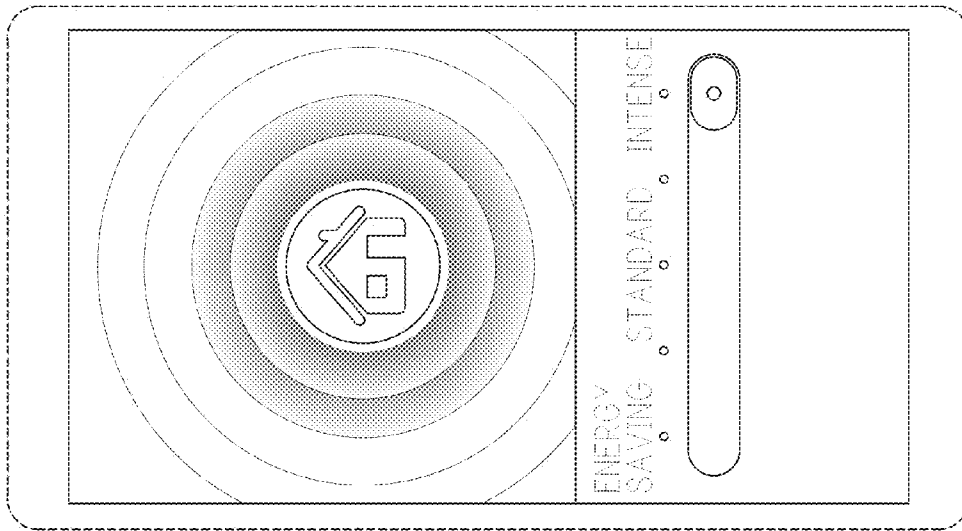


FIG. 5