



US00D624363S

(12) **United States Design Patent**  
**Alviar et al.**

(10) **Patent No.:** **US D624,363 S**

(45) **Date of Patent:** **\*\* Sep. 28, 2010**

(54) **BEVERAGE CONTAINER**

(75) Inventors: **Christopher G. Alviar**, Seattle, WA (US); **Josh Kornfeld**, Seattle, WA (US); **Jared Randall**, Seattle, WA (US)

(73) Assignee: **Pacific Market International, LLC**, Seattle, WA (US)

(\*\*) Term: **14 Years**

(21) Appl. No.: **29/356,037**

(22) Filed: **Feb. 18, 2010**

**Related U.S. Application Data**

(62) Division of application No. 29/340,844, filed on Jul. 27, 2009, now Pat. No. Des. 610,871, which is a division of application No. 29/296,292, filed on Oct. 17, 2007, now Pat. No. Des. 599,168.

(51) **LOC (9) Cl.** ..... **07-01**

(52) **U.S. Cl.** ..... **D7/510; D7/511; D7/396.2**

(58) **Field of Classification Search** ..... **D7/507-511, D7/523, 615, 396.2, 608; D9/538, 522, 504, D9/905, 724, 609, 500, 615; D19/85; 215/12.1; 222/144.5; 229/5.5; 220/592.27; D3/264**

See application file for complete search history.

(56) **References Cited**

**U.S. PATENT DOCUMENTS**

D67,869 S	7/1925	Boswell	
1,832,806 A	11/1931	Dawson	
D112,950 S *	1/1939	Rubin	D9/502
2,162,853 A	6/1939	Massey	
D120,587 S	5/1940	Hinkins	
2,851,991 A *	9/1958	Rinck	119/719
2,899,098 A *	8/1959	Gits	220/592.17
3,476,277 A	11/1969	Rownd	
3,769,899 A	11/1973	Kostko	
D237,853 S	12/1975	Katz	
4,136,799 A	1/1979	Albert	
D274,209 S	6/1984	Kikuchi	
D278,121 S *	3/1985	Sussman	D9/504

D296,645 S	7/1988	Seeley	
D322,753 S *	12/1991	Sussman	D9/504
D359,196 S	6/1995	Nichols	
D377,293 S *	1/1997	Husted	D7/510
D379,714 S *	6/1997	Cerny et al.	D3/264
D383,037 S	9/1997	Asberg	
D386,644 S *	11/1997	Orrico et al.	D7/300
D390,002 S	2/1998	Brizard	
D399,392 S *	10/1998	Husted	D7/511

(Continued)

**OTHER PUBLICATIONS**

U.S. Appl. No. 29/303,207, filed Feb. 1, 2008, Alviar, C.G.

(Continued)

*Primary Examiner*—Marianne Pandozzi  
(74) *Attorney, Agent, or Firm*—Davis Wright Tremaine LLP; George C. Rondeau, Jr.

(57) **CLAIM**

The ornamental design for a beverage container, as shown and described.

**DESCRIPTION**

FIG. 1 is a front perspective view of a beverage container showing our new design.

FIG. 2 is a front elevational view thereof, the rear elevational view being a mirror image thereof.

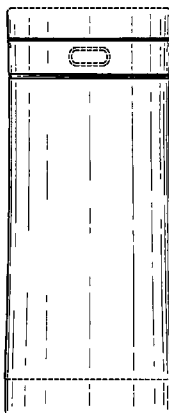
FIG. 3 is a right side elevational view thereof, the left side elevational view being a mirror image thereof.

FIG. 4 is a top plan view thereof; and,

FIG. 5 is a bottom plan view thereof.

The broken lines represent portions of the beverage container that form no part of the claim.

**1 Claim, 4 Drawing Sheets**



# US D624,363 S

Page 2

## U.S. PATENT DOCUMENTS

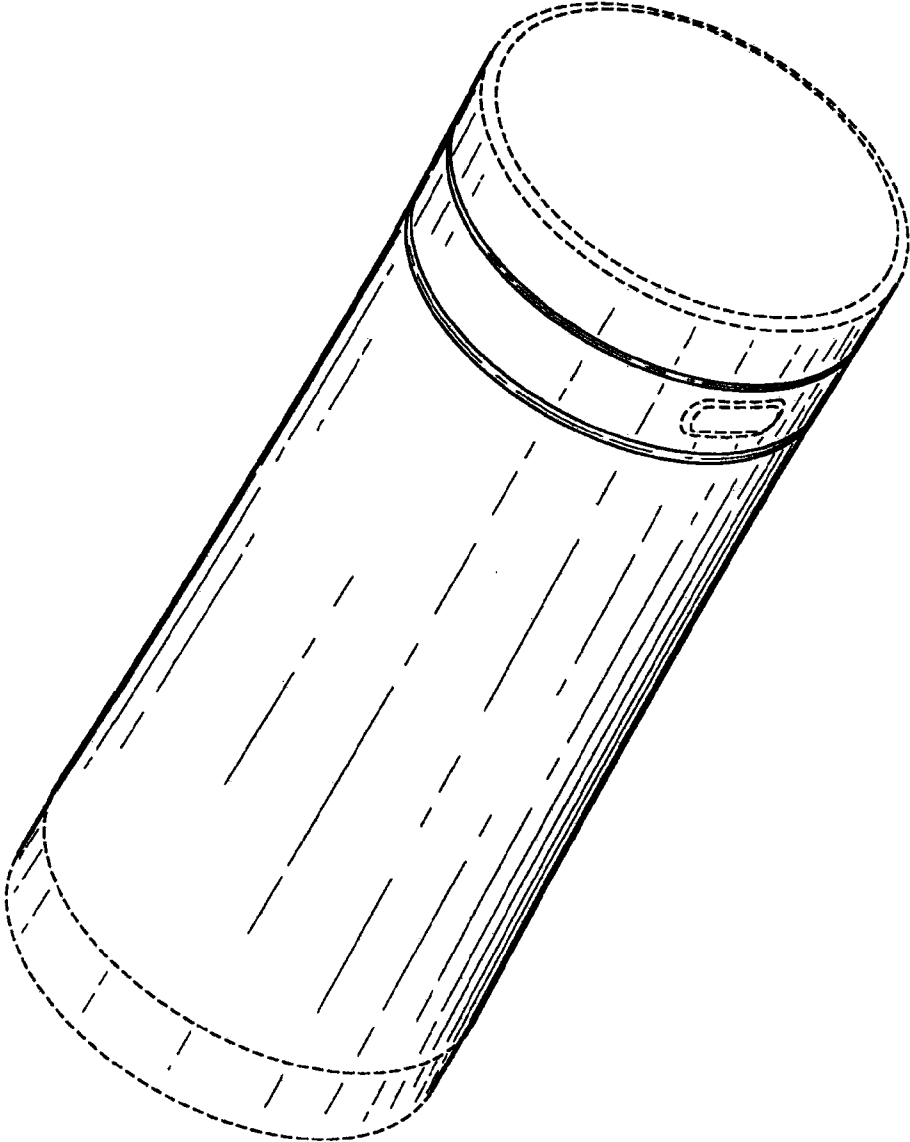
D433,876 S \* 11/2000 Freed ..... D7/532  
D434,980 S \* 12/2000 Suzuki ..... D9/418  
D438,376 S \* 3/2001 Marshall ..... D3/257  
D446,122 S \* 8/2001 Weinstein et al. .... D9/504  
D458,081 S 6/2002 Bodum  
D466,814 S \* 12/2002 Hurlburt ..... D9/504  
D467,131 S \* 12/2002 Wright et al. .... D7/615  
D472,101 S \* 3/2003 Janky ..... D7/532  
D488,348 S 4/2004 Liu  
D491,800 S \* 6/2004 Palomino, Jr. .... D9/520  
D497,778 S 11/2004 Rich  
D500,231 S 12/2004 Ward et al.  
D506,641 S 6/2005 Liu  
D519,322 S 4/2006 Hutton  
D523,340 S 6/2006 Westphal  
D529,388 S \* 10/2006 Bakic ..... D9/529  
D529,909 S \* 10/2006 Daw et al. .... D14/346  
D530,375 S \* 10/2006 McKnight ..... D19/85  
D530,572 S \* 10/2006 Daams ..... D7/615  
D531,452 S 11/2006 Toth  
D532,308 S \* 11/2006 Davies et al. .... D9/522  
D533,308 S \* 12/2006 Kovac ..... D28/63  
D534,396 S \* 1/2007 Kramer ..... D7/532  
D547,611 S 7/2007 Seum et al.  
D549,596 S \* 8/2007 Ioannides et al. .... D9/776

D553,438 S 10/2007 Boehm  
D560,098 S 1/2008 Barducci  
D569,181 S 5/2008 Homma  
D569,251 S \* 5/2008 Varlet ..... D9/500  
D571,663 S \* 6/2008 Bakic ..... D9/500  
D573,404 S \* 7/2008 Wahl ..... D7/510  
D574,190 S \* 8/2008 Homma ..... D7/510  
D578,894 S \* 10/2008 Seum et al. .... D9/529  
D579,720 S \* 11/2008 Rohe ..... D7/510  
D579,723 S \* 11/2008 Williams ..... D7/511  
D580,226 S \* 11/2008 Homma ..... D7/510  
D586,182 S \* 2/2009 Trombly ..... D7/510  
D592,909 S \* 5/2009 Alviar et al. .... D7/510  
D599,168 S \* 9/2009 Alviar et al. .... D7/510  
D611,764 S \* 3/2010 Wahl et al. .... D7/507  
D615,359 S \* 5/2010 George ..... D7/510

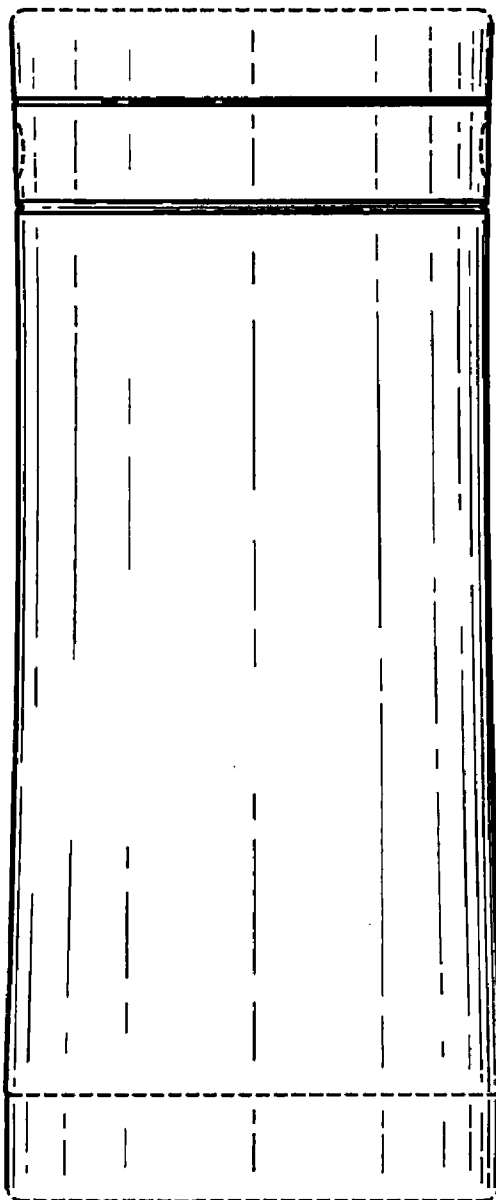
## OTHER PUBLICATIONS

U.S. Appl. No. 29/276,810, filed Feb. 6, 2007, Gilbert.  
U.S. Appl. No. 29/303,087, filed Jan. 31, 2008, Alviar et al.  
U.S. Appl. No. 29/302,061, filed Jan. 9, 2008, Alviar et al.  
U.S. Appl. No. 29/280,377, filed May 24, 2007, Wahl.  
U.S. Appl. No. 29/296,131, filed Oct. 15, 2007, Alviar et al.  
U.S. Appl. No. 29/296,292, filed Oct. 17, 2007, Alviar et al.

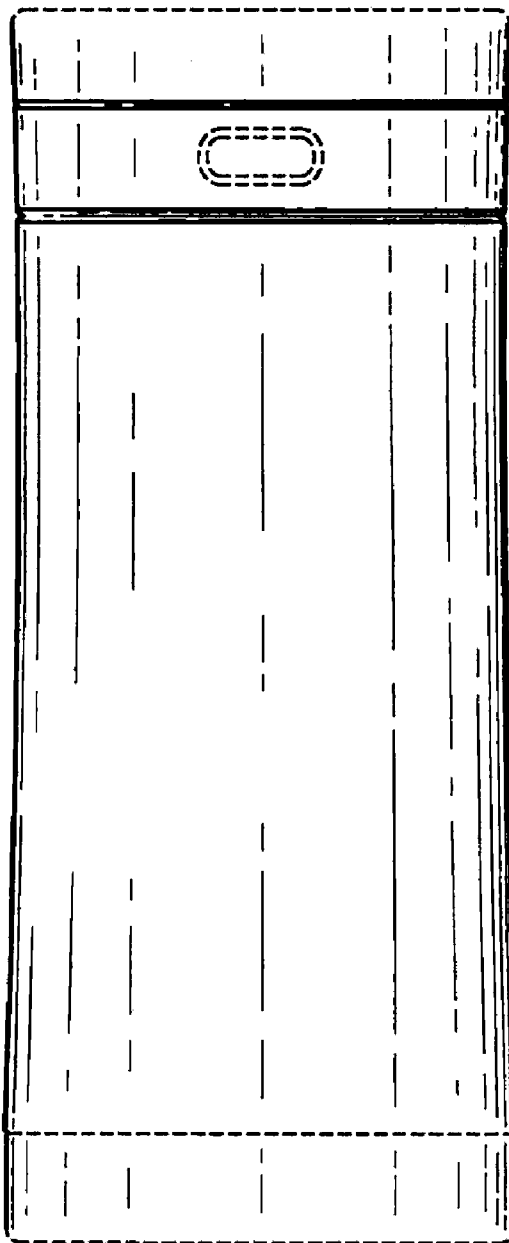
\* cited by examiner



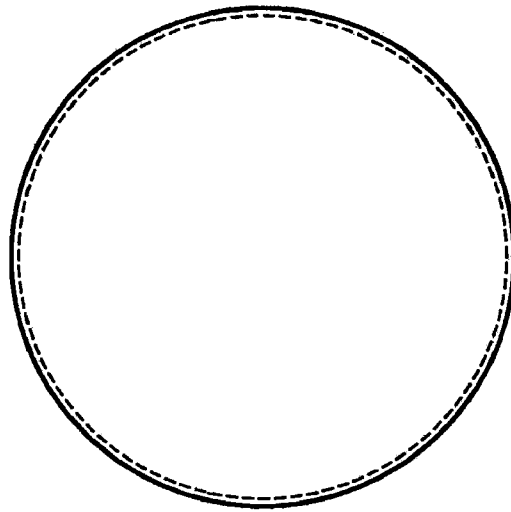
*Fig. 1*



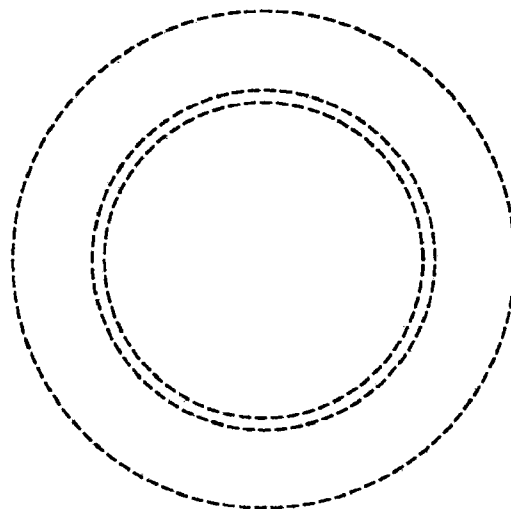
*Fig. 2*



*Fig 3*



*Fig. 4*



*Fig. 5*