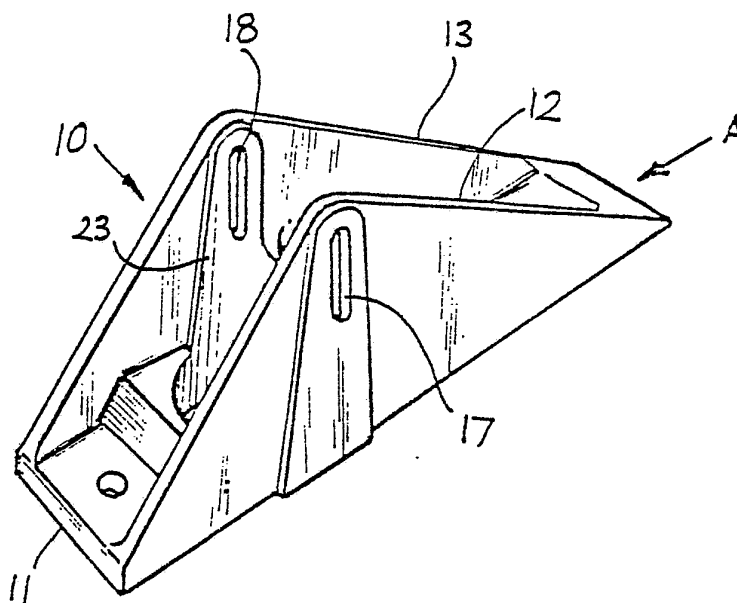




INTERNATIONAL APPLICATION PUBLISHED UNDER THE PATENT COOPERATION TREATY (PCT)

<p>(51) International Patent Classification³ : A47B 3/08; F16C 11/10</p>	<p>A1</p>	<p>(11) International Publication Number: WO 84/ 02454 (43) International Publication Date: 5 July 1984 (05.07.84)</p>
<p>(21) International Application Number: PCT/AU83/00199 (22) International Filing Date: 29 December 1983 (29.12.83) (31) Priority Application Number: PF 7461/82 (32) Priority Date: 24 December 1982 (24.12.82) (33) Priority Country: AU (71) Applicant (for all designated States except US): ENSAT PTY. LTD. [AU/AU]; 900 Mountain Highway, Bayswater, VIC 3153 (AU). (72) Inventor; and (75) Inventor/Applicant (for US only) : HARVEY, Russell, Lindsay [AU/AU]; 108 Alpine Road, Ferny Creek, VIC 3786 (AU). (74) Agent: EDWD. WATERS & SONS; 50 Queen Street, Melbourne, VIC 3000 (AU).</p>		<p>(81) Designated States: AT (European patent), AU, BE (European patent), CH (European patent), DE (European patent), FR (European patent), GB (European patent), JP, LU (European patent), NL (European patent), SE (European patent), US. Published With international search report.</p>

(54) Title: FOLDING LEG BRACKET



(57) Abstract

A bracket for a folding table-leg, the table leg (15) being pivotally mounted on the bracket (10) for movement from a folded position flat against the underside of the table, to a locked position extending generally downwardly from the underside of the table, the bracket comprising means (11) for fixing to the underside of the table, means (12, 13, 17, 18) to allow pivotal movement of the leg between the folded and locked positions, and means (14) to lock the leg in the extended position on axial movement of the leg into the bracket.

FOR THE PURPOSES OF INFORMATION ONLY

Codes used to identify States party to the PCT on the front pages of pamphlets publishing international applications under the PCT.

AT	Austria	LI	Liechtenstein
AU	Australia	LK	Sri Lanka
BE	Belgium	LU	Luxembourg
BR	Brazil	MC	Monaco
CF	Central African Republic	MG	Madagascar
CG	Congo	MR	Mauritania
CH	Switzerland	MW	Malawi
CM	Cameroon	NL	Netherlands
DE	Germany, Federal Republic of	NO	Norway
DK	Denmark	RO	Romania
FI	Finland	SE	Sweden
FR	France	SN	Senegal
GA	Gabon	SU	Soviet Union
GB	United Kingdom	TD	Chad
HU	Hungary	TG	Togo
JP	Japan	US	United States of America
KP	Democratic People's Republic of Korea		

FOLDING LEG BRACKET

This invention relates to a bracket for mounting of a folding table leg to the underside of a table.

5 Folding leg tables have many applications where storage space is minimal and it is desirable to fold the table up to a smaller size, by folding the legs up against the underside of the table. Typical applications include caravanning and camping tables where the table must be folded up for transport. It is also convenient to be able
10 to provide an additional table normally stored in a closet or the like, such as a card table, when extra table area is required.

Known folding-leg tables have included complex lever arrangements or stays to lock the legs in their extended
15 positions, and such arrangements requiring a number of moving parts and require continual maintenance in view of their complexity. Such lever type brackets or stays can also become unsafe after continual use, as their rigidity and locking mechanism become less effective due to wear.

20 It is the object of this invention to provide a simple folding leg bracket that overcomes the foregoing disadvantages of the conventional arrangements. To achieve this object, the bracket of this invention has virtually no moving parts to wear out, and the locking action becomes
25 more secure as additional loads are placed on the table.

In accordance with this invention, there is provided a bracket for a folding table-leg, the table leg being pivotally mounted on the bracket for movement from a folded position flat against the underside of the table, to a
30 locked position extending generally downwardly from the underside of the table, the bracket comprising means for fixing to the underside of the table, means to allow pivotal movement of the leg between the folded and locked positions, and means to lock the leg in the extended position on axial
35 movement of the leg into the bracket.



Preferably the pivotal mounting of the leg to the bracket allows for axial movement of the leg, and a recess is provided within the bracket to receive the pivoted end of the leg to lock it in the extended position.

5 Conveniently the bracket has a base portion adapted to be fixed to the underside of the table, and a pair of upstanding webs forming a generally U-shape. Each web is provided with a slot to receive a pivot pin carried by the leg. The base portion of the bracket is provided with a
10 recess to accommodate the end of the table leg when it is axially moved into the bracket. Conveniently the bracket includes a stop member to arrest the pivoting movement of the table leg when it assumes the extended position.

15 One embodiment of the invention will now be described in greater detail with reference to the accompanying drawings in which :

Figure 1 is a perspective of the bracket;

Figure 2 is an end elevation of the bracket;

20 Figure 3 is a cross-sectional side elevation of the bracket;

Figure 4 is a side elevation of the bracket; and

Figure 5 is a plan view of the bracket.

25 The bracket 10 comprises a base portion 11 and two upstanding webs 12, 13 together forming a generally U-shaped structure. The base portion 11 is fixed to table 20 by screws or the like 21.

30 A circular bore 14 of a diameter equivalent to the diameter of table leg 15 is provided in base portion 11. Axial movement of table leg 15 in the direction of arrow A enables the end 16 of leg 15 to be located in bore 14, to lock leg 15 in place in the extended position.

35 Both webs 12, 13 are provided with elongated holes or slots 17, 18 arranged to receive the ends of pivot pin 19 carried by leg 15. Movement of leg 15 in axial direction B lifts the end of leg 15 clear from the sides of bore 14 to allow the leg to be pivoted to its folded position against the underside of the table.

Base portion 11 also includes an upstanding portion 22 acting as a stop to arrest pivotal movement of leg 15 when it assumes the extended position.

5 The slots are embodied in raised upstanding sections the inner surfaces 23 of which have a slight curvature to accommodate and assist in the guidance of the leg into the bore 14. Also, the ends of the curves provide for a firm fit of the leg when in the folded position.



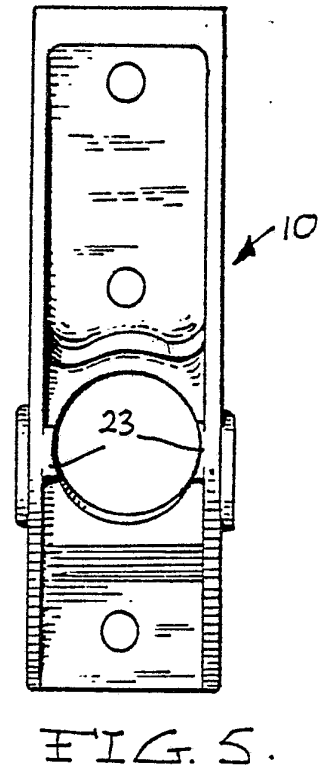
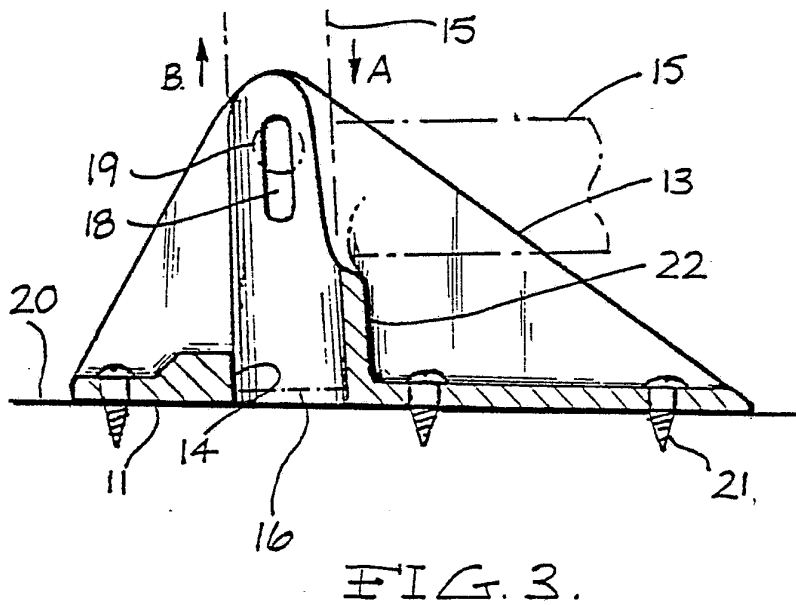
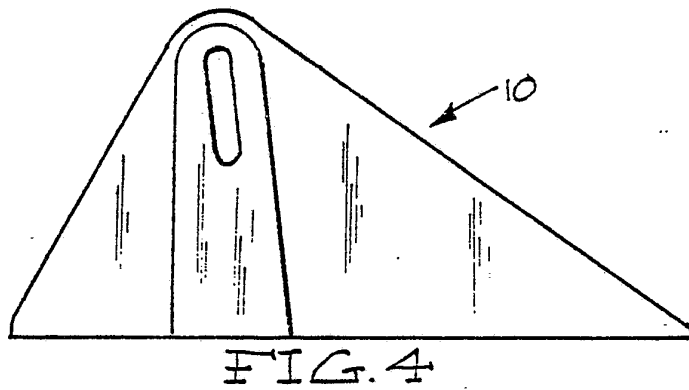
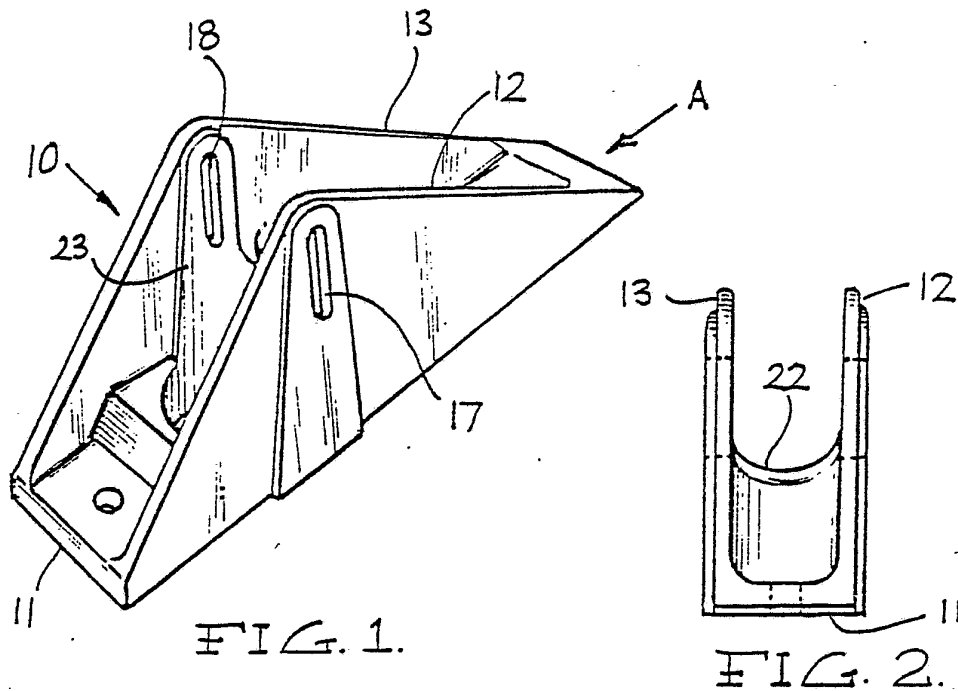
THE CLAIMS DEFINING THE INVENTION ARE AS FOLLOWS:

1. A bracket for a folding table leg, the table leg being pivotally mounted on the bracket for movement from a folded position flat against the underside of the table, to a locked position extending generally downwardly from the underside of the table, the bracket comprising means for fixing to the underside of the table, means to allow pivotal movement of the leg between the folded and locked positions, and means to lock the leg in the extended position on axial movement of the leg into the bracket.
2. A bracket according to claim 1, wherein the pivotal means is so adapted as also to allow for said axial movement of the leg.
3. A bracket according to claim 1 or claim 2, wherein the lock means comprises a recess to receive the leg end on said axial movement of the leg.
4. A bracket according to any preceding claim, wherein the fixing means comprises a base portion having holes or the like by means of which the bracket can be fixed to the underside of the table.
5. A bracket according to claim 4, wherein the bracket is of generally U-shape (when viewed from an end) and comprising said base portion and a pair of spaced, upstanding webs.
6. A bracket according to claim 5, wherein the webs are each provided with a slot, which constitutes the pivotal means, to receive a pivot pin carried by the leg, the length of the slot enabling said axial movement of the leg to take place as desired.



7. A bracket according to claim 3 or claim 4, 5 or 6 (when appended to claim 3), wherein the recess is in the base portion defined in claim 4.
8. A bracket according to any preceding claim, wherein the bracket further comprises a stop member to arrest any tendency the leg might have to move pivotally out of the locked position.
9. A bracket according to claim 7 or claim 8, wherein the recess is in the form of a circular bore flanked by generally vertically disposed guideways built into the upstanding webs defined in claim 5, the guideways bearing the slots defined in claim 6.
10. A bracket for a folding table leg substantially as herein described and optionally with reference to the accompanying drawings.





INTERNATIONAL SEARCH REPORT

International Application No PCT/AU83/00199

I. CLASSIFICATION OF SUBJECT MATTER (If several classification symbols apply, indicate all) ³		
According to International Patent Classification (IPC) or to both National Classification and IPC		
Int. Cl. ³ A47B 3/08, F16C 11/10		
II. FIELDS SEARCHED		
Minimum Documentation Searched ⁴		
Classification System	Classification Symbols	
IPC US Cl.	A47B 3/08, F16C 11/10 108/115	
Documentation Searched other than Minimum Documentation to the Extent that such Documents are Included in the Fields Searched ⁵		
AU: IPC as above; F16B 12/44, 12/50, 12/52, F16C 11/00, 11/04, E05D 5/14, 7/00, 15/26		
III. DOCUMENTS CONSIDERED TO BE RELEVANT ¹⁴		
Category ⁶	Citation of Document, ¹⁶ with indication, where appropriate, of the relevant passages ¹⁷	Relevant to Claim No. ¹⁸
X	FR, A, 2244376 (BOURGAULT) 11 April 1975 (11.04.75)	(1-3)
X	AU, A, 10244/70 (RUBERY, OWEN & KEMSELY PTY. LTD.) 15 July 1971 (15.07.71)	(1-3)
X	US, A, 3547054 (CALDWELL, SULLO) 15 December 1970 (15.12.70)	(1-4)
X	AU, B, 30238/63 (269217) (SHOWELL) 4 November 1966 (04.11.66)	(1-3)
X	AU, B, 61692/60 (243611) (PRICE BROTHERS & CO. LTD) 22 December 1960 (22.12.60)	(1-3)
X	GB, A, 597203 (DALGLISH) 20 January 1948 (20.01.48)	(1-3)
X	AU, B, 388/21 (DOUGLASS) 19 July 1921 (19.07.21)	(1-3)
<p>¹⁵ * Special categories of cited documents:</p> <p>"A" document defining the general state of the art which is not considered to be of particular relevance</p> <p>"E" earlier document but published on or after the international filing date</p> <p>"L" document which may throw doubts on priority claim(s) or which is cited to establish the publication date of another citation or other special reason (as specified)</p> <p>"O" document referring to an oral disclosure, use, exhibition or other means</p> <p>"P" document published prior to the international filing date but later than the priority date claimed</p> <p>"T" later document published after the international filing date or priority date and not in conflict with the application but cited to understand the principle or theory underlying the invention</p> <p>"X" document of particular relevance; the claimed invention cannot be considered novel or cannot be considered to involve an inventive step</p> <p>"Y" document of particular relevance; the claimed invention cannot be considered to involve an inventive step when the document is combined with one or more other such documents, such combination being obvious to a person skilled in the art.</p> <p>"&" document member of the same patent family</p>		
IV. CERTIFICATION		
Date of the Actual Completion of the International Search ¹	Date of Mailing of this International Search Report ²	
7 March 1984 (07.03.84)	<i>12 MARCH 1984 (12-03-84)</i>	
International Searching Authority ¹	Signature of Authorized Officer ¹⁹	
AUSTRALIAN PATENT OFFICE	A.S. MOORE <i>A.A. Moore</i>	