



US00RE44992E

(19) **United States**
(12) **Reissued Patent**
Fenster

(10) **Patent Number:** **US RE44,992 E**
(45) **Date of Reissued Patent:** **Jul. 8, 2014**

(54) **EXERCISE APPARATUS**
(75) Inventor: **Mrako A. Fenster**, Madison, WI (US)
(73) Assignee: **Johnson Health Tech Co., Ltd.**,
Taichung (TW)
(21) Appl. No.: **29/398,219**
(22) Filed: **Jul. 28, 2011**

6,254,516 B1 * 7/2001 Giannelli et al. 482/100
6,409,637 B1 * 6/2002 Webber et al. 482/99
D491,238 S * 6/2004 Giannelli et al. D21/676
D493,454 S * 7/2004 Andre et al. D14/336
D493,854 S * 8/2004 Grider D21/694

(Continued)

Primary Examiner — Phillip S Hyder

(57) **CLAIM**

The ornamental design for a exercise apparatus, as shown and described.

Related U.S. Patent Documents

Reissue of:

(64) Patent No.: **Des. 613,350**
Issued: **Apr. 6, 2010**
Appl. No.: **29/342,347**
Filed: **Aug. 24, 2009**

U.S. Applications:

(63) Continuation-in-part of application No. 29/314,057,
filed on Mar. 3, 2009, now Pat. No. Des. 612,437.
(51) **LOC (10) Cl.** **21-02**
(52) **U.S. Cl.**
USPC **D21/675**
(58) **Field of Classification Search**
USPC D21/662, 670, 671, 672, 673, 674, 675,
D21/676, 677, 686, 688, 689, 690, 691, 694,
D21/697; 482/51, 52, 57, 58, 59, 61-65, 70,
482/97, 99, 100
See application file for complete search history.

DESCRIPTION

[FIG. 1 is a perspective view of the exercise apparatus;]
[FIG. 2 is a front elevational view of the exercise apparatus;]
[FIG. 3 is a rear elevational view of the exercise apparatus;]
[FIG. 4 is a left side elevational view of the exercise apparatus;]
[FIG. 5 is a right side elevational view of the exercise apparatus; and,]
[FIG. 6 is a top plan view of the exercise apparatus.]
FIG. 7 is a perspective view of the exercise apparatus;
FIG. 8 is a front elevational view of the exercise apparatus;
FIG. 9 is a rear elevational view of the exercise apparatus;
FIG. 10 is a left side elevational view of the exercise apparatus;
FIG. 11 is a right side elevational view of the exercise apparatus; and,
FIG. 12 is a top plan view of the exercise apparatus.
The broken lines in the drawings depict unclaimed environmental subject matter.

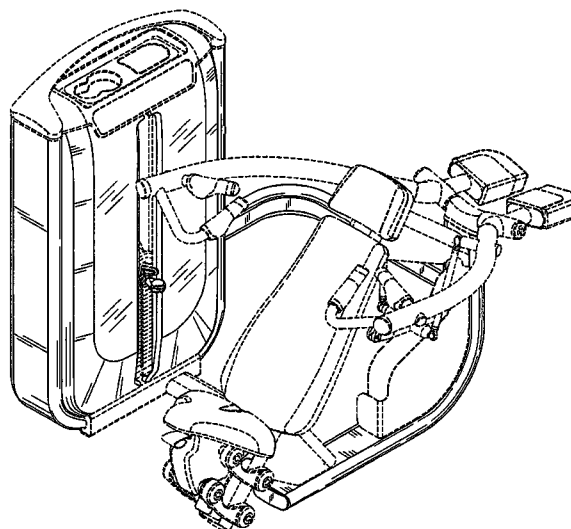
(56) **References Cited**

U.S. PATENT DOCUMENTS

5,643,152 A * 7/1997 Simonson 482/100
5,667,464 A * 9/1997 Simonson 482/97
6,071,216 A * 6/2000 Giannelli et al. 482/100
6,142,917 A * 11/2000 Giannelli et al. 482/100
6,152,864 A * 11/2000 Giannelli et al. 482/100

1 Claim, 12 Drawing Sheets

Matter enclosed in heavy brackets [] appears in the original patent but forms no part of this reissue; matter printed in italics indicates the additions made by reissue.



(NEW)

US RE44,992 E

Page 2

(56)

References Cited

U.S. PATENT DOCUMENTS

D574,449 S *	8/2008	Webber et al.	D21/675
2003/0092543 A1 *	5/2003	Giannelli	482/100
2004/0005967 A1 *	1/2004	Panatta	482/100
D516,144 S *	2/2006	Panatta	D21/676

* cited by examiner

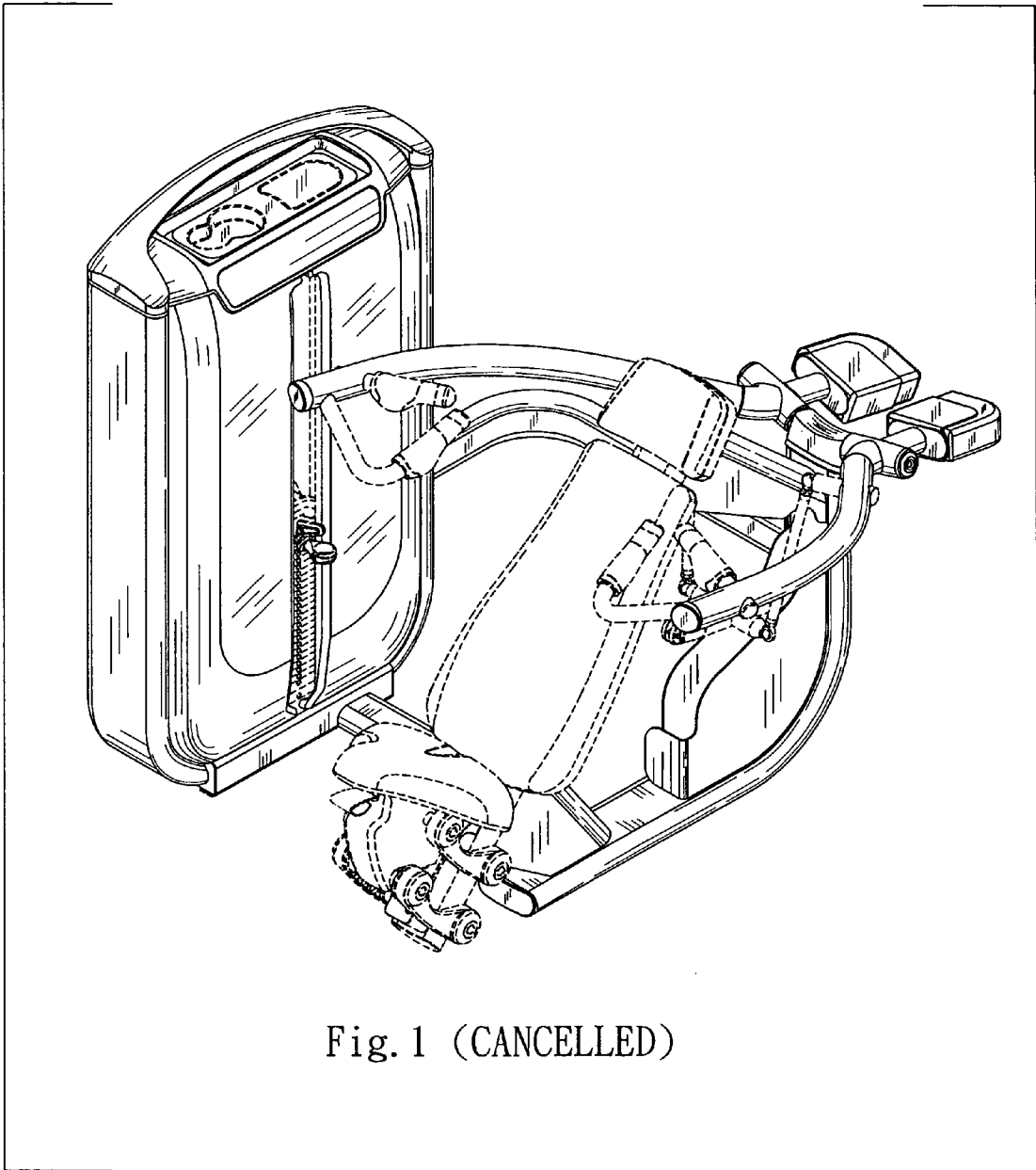


Fig. 1 (CANCELLED)

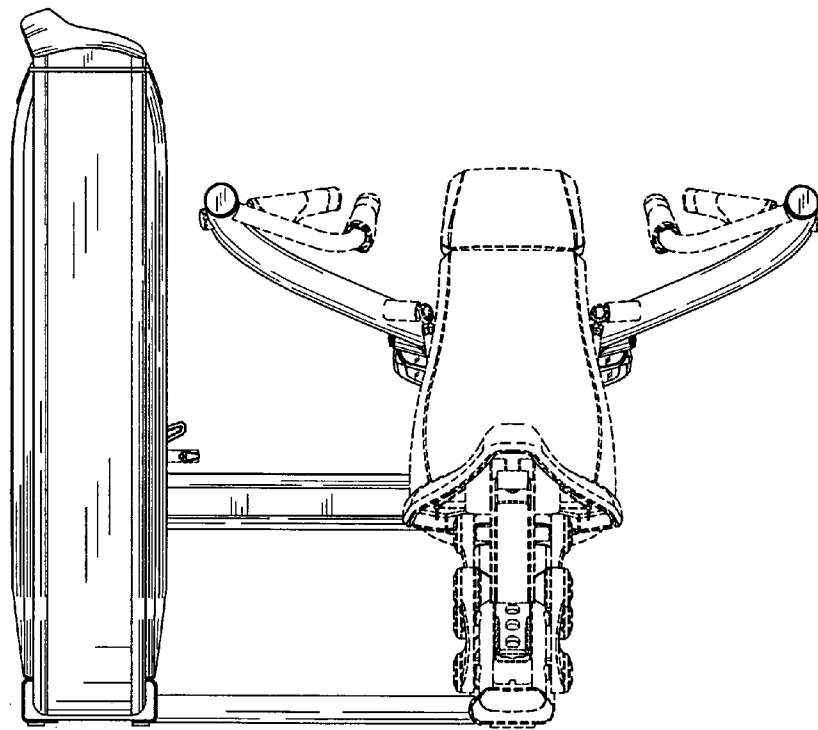


Fig. 2 (CANCELLED)

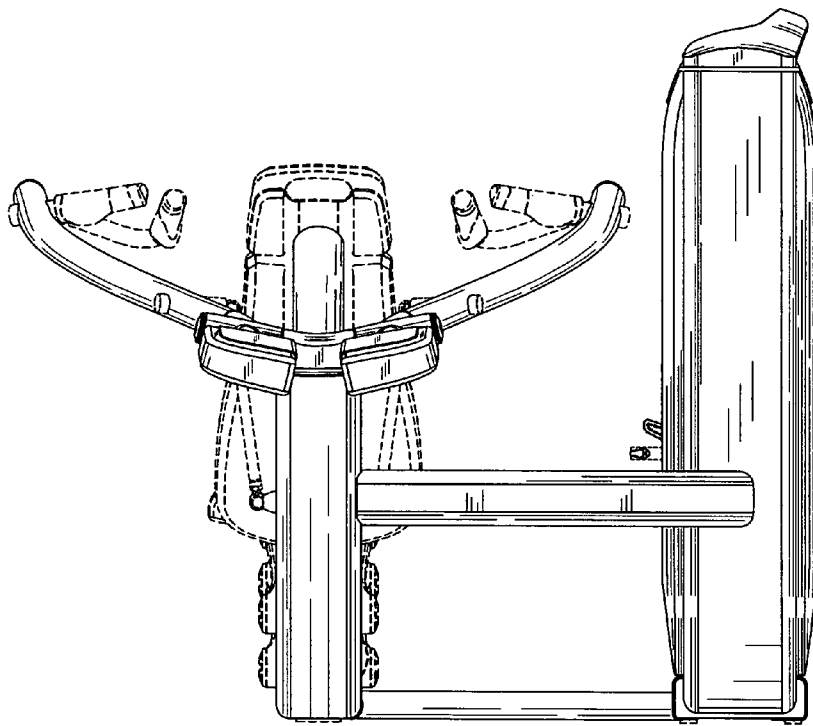


Fig. 3 (CANCELLED)

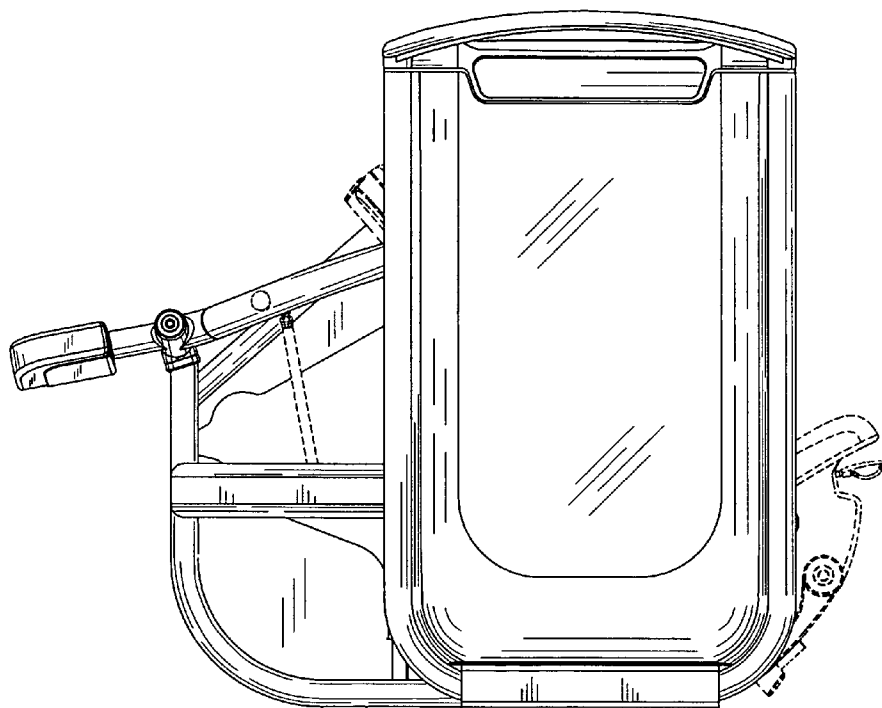
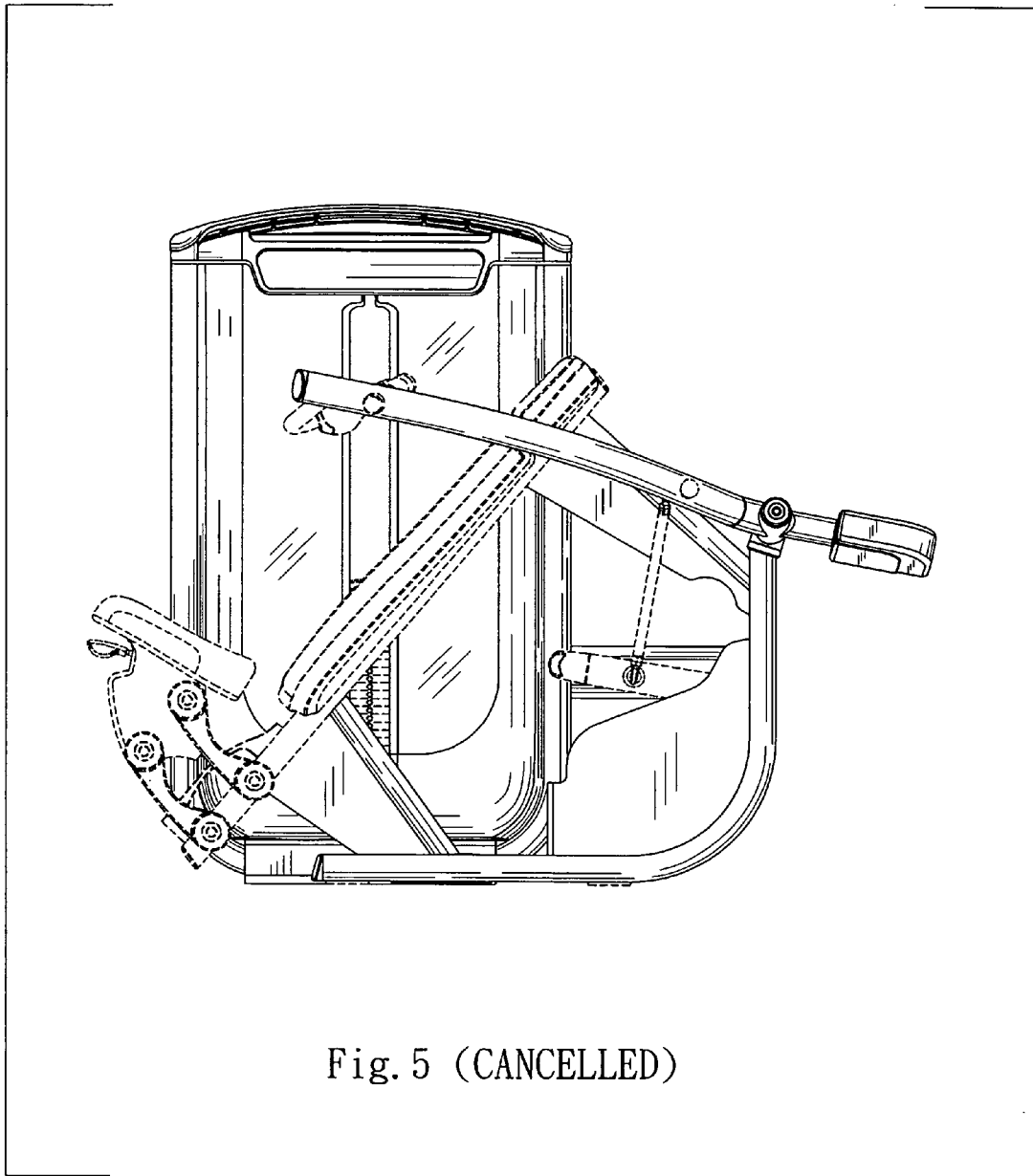


Fig. 4 (CANCELLED)



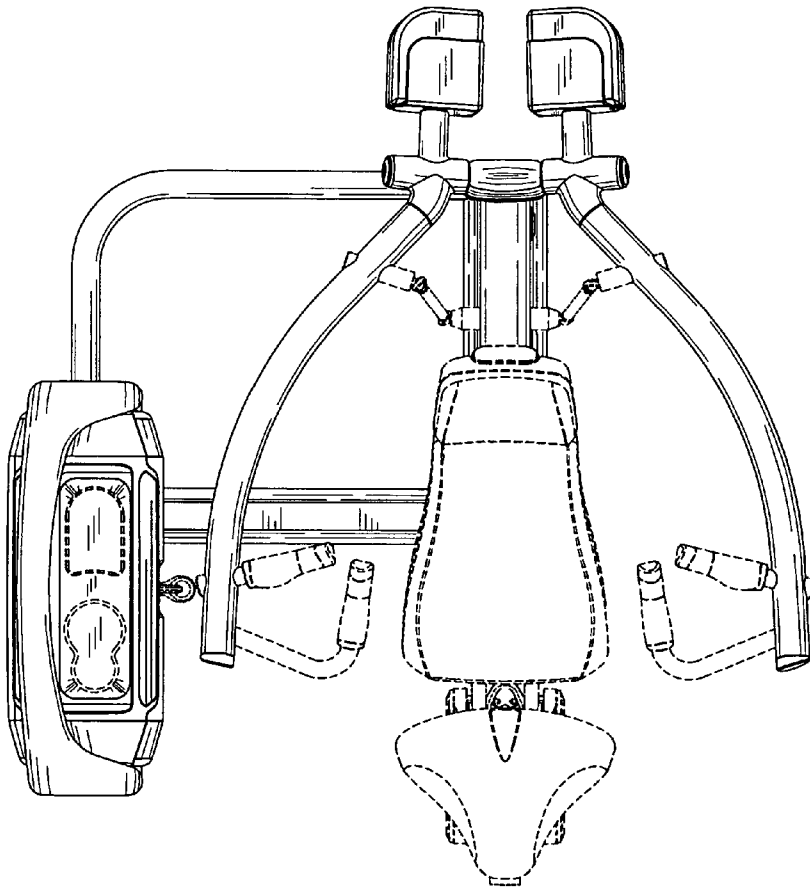


Fig. 6 (CANCELLED)

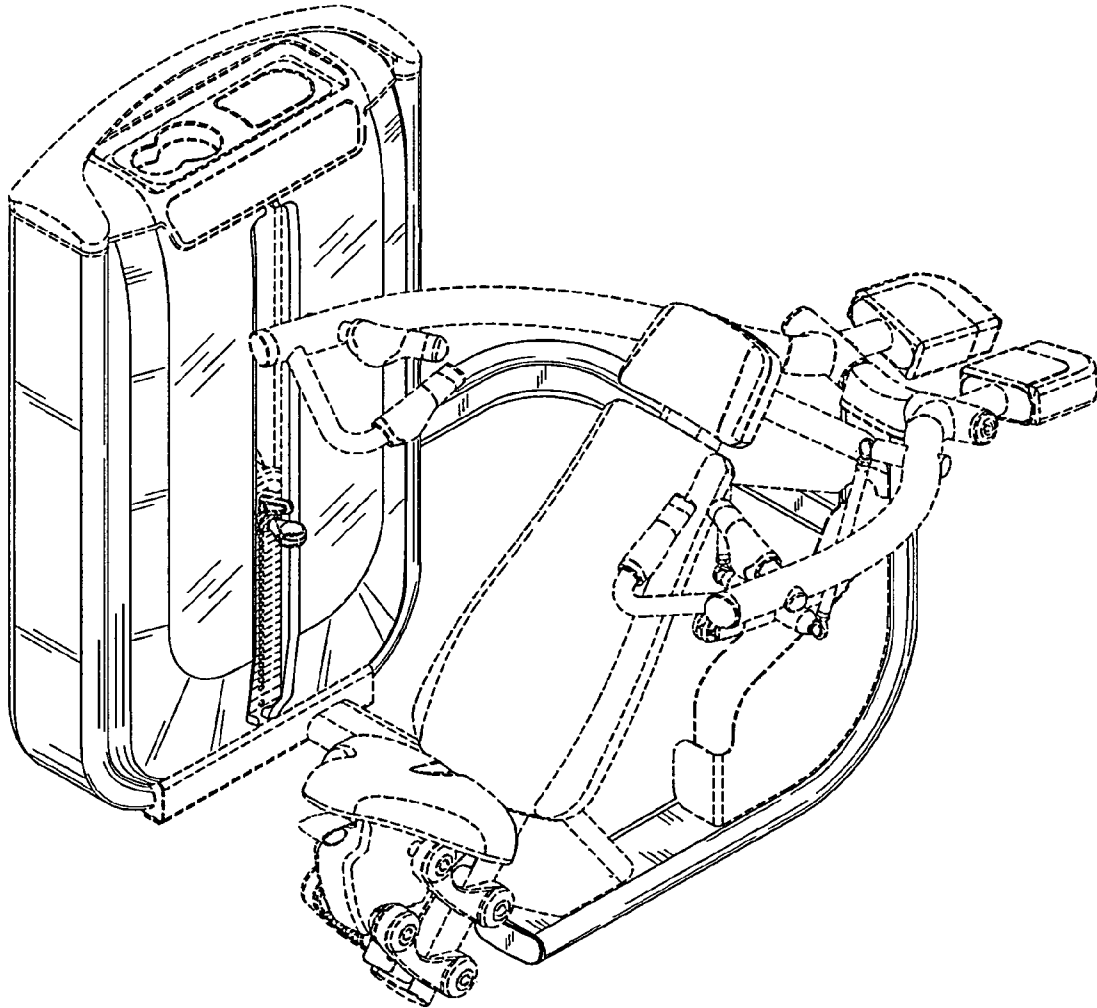


Fig. 7 (NEW)

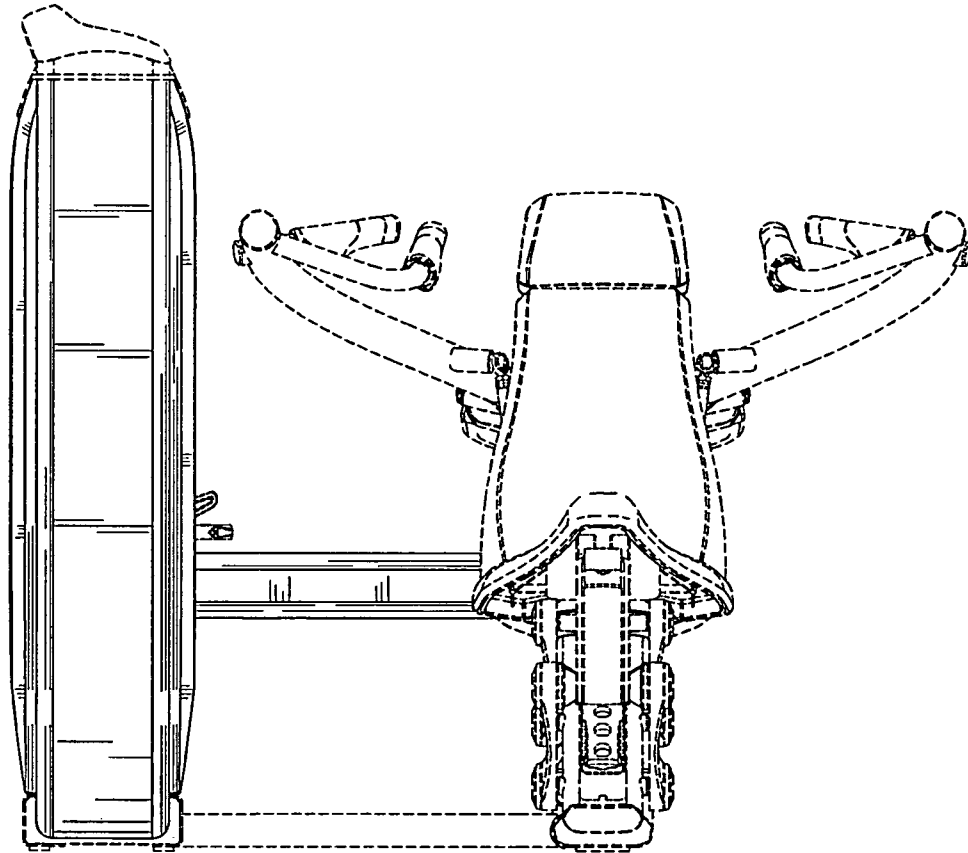


Fig. 8 (NEW)

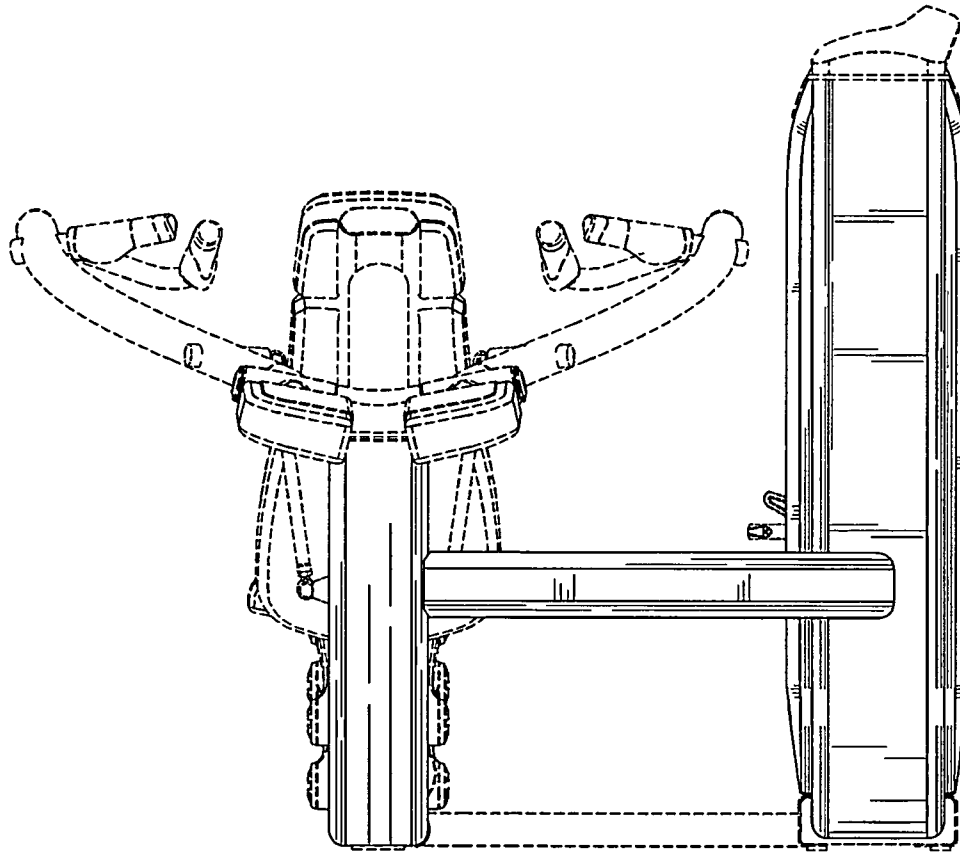


Fig. 9 (NEW)

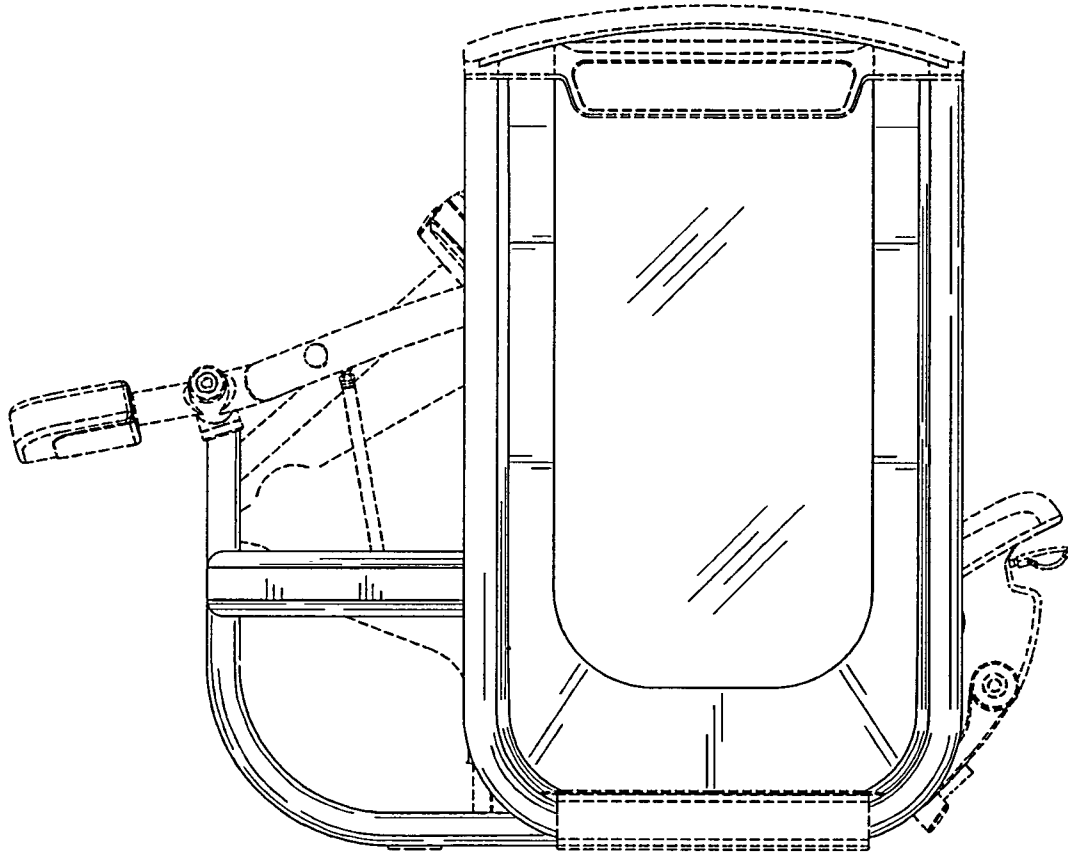


Fig. 10 (NEW)

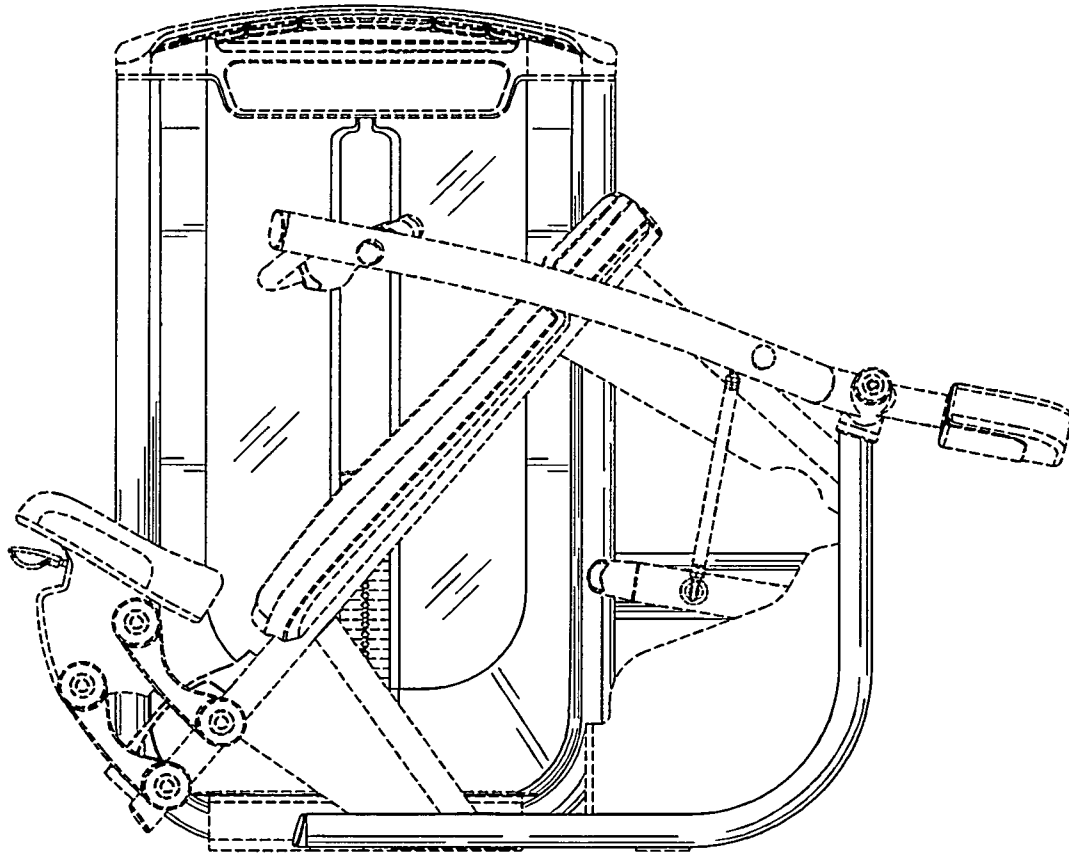


Fig. 11 (NEW)

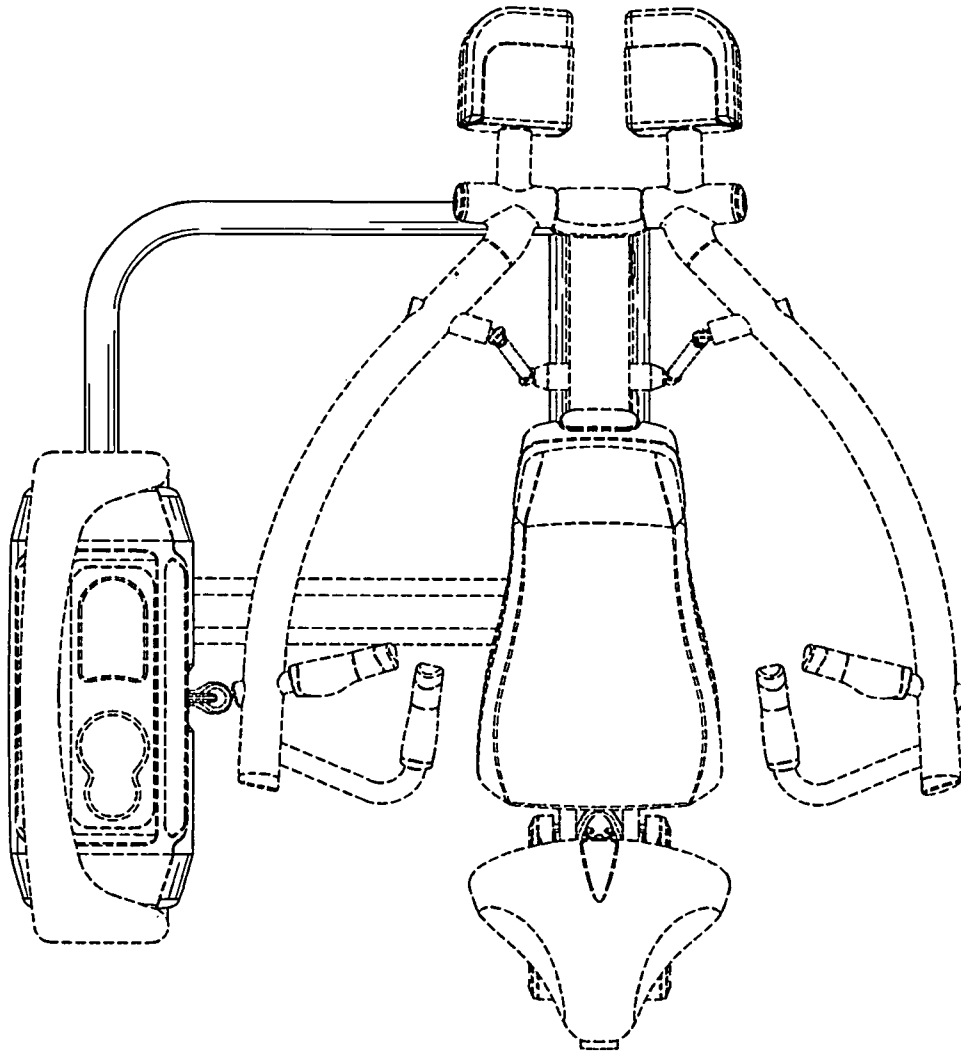


Fig. 12 (NEW)