



US00D748833S

(12) **United States Design Patent**
Wu

(10) **Patent No.:** **US D748,833 S**

(45) **Date of Patent:** **** Feb. 2, 2016**

(54) **AUTO LAMP**

(71) Applicant: **COPLUS INC.**, Tainan (TW)

(72) Inventor: **Po-Hua Wu**, Tainan (TW)

(73) Assignee: **Coplus, Inc.**, Tainan (TW)

(**) Term: **14 Years**

(21) Appl. No.: **29/509,043**

(22) Filed: **Nov. 13, 2014**

(30) **Foreign Application Priority Data**

Jul. 29, 2014 (TW) 103304432

(51) **LOC (10) Cl.** **26-06**

(52) **U.S. Cl.**
USPC **D26/28**

(58) **Field of Classification Search**
USPC D26/28-36; 362/459-468, 475-478,
362/485-487
CPC F21S 48/00; F21S 48/10; F21S 48/115;
F21S 48/1233; F21S 48/1266; F21S 48/1388;
F21S 48/2268; F21V 21/04

See application file for complete search history.

(56) **References Cited**

U.S. PATENT DOCUMENTS

D556,349 S *	11/2007	Golden	D26/28
D560,291 S *	1/2008	Koyama	D26/28
D560,832 S *	1/2008	Hsu	D26/28
D561,358 S *	2/2008	Tachibana	D26/28
D563,576 S *	3/2008	Hanaoka	D26/28
D602,619 S *	10/2009	Kruger	D26/28

* cited by examiner

Primary Examiner — Marcus Jackson

(74) *Attorney, Agent, or Firm* — Christie, Parker & Hale, LLP

(57) **CLAIM**

The ornamental design for an auto lamp, as shown and described.

DESCRIPTION

FIG. 1 is a front perspective view of the auto lamp;
FIG. 2 is a front elevation view thereof;
FIG. 3 is a rear elevation view thereof;
FIG. 4 is a left side elevation view thereof;
FIG. 5 is a right side elevation view thereof;
FIG. 6 is a top elevation view thereof; and,
FIG. 7 is a bottom elevation view thereof.

1 Claim, 6 Drawing Sheets

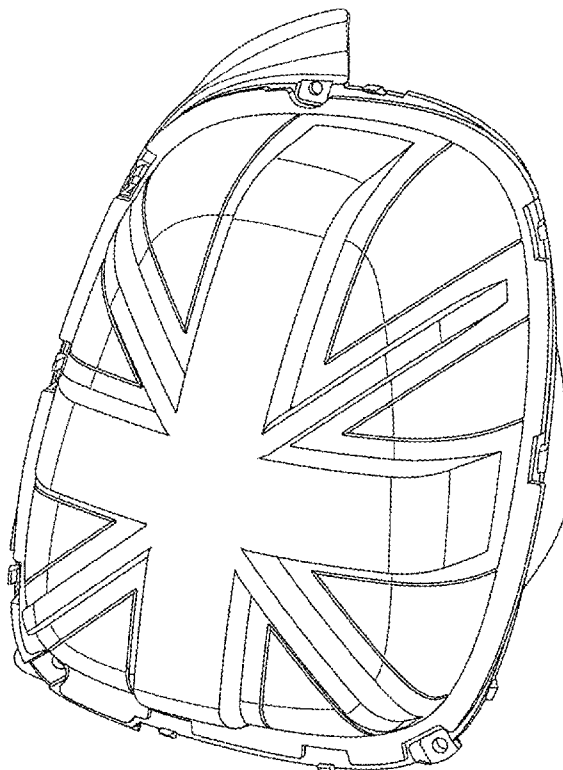


FIG. 1

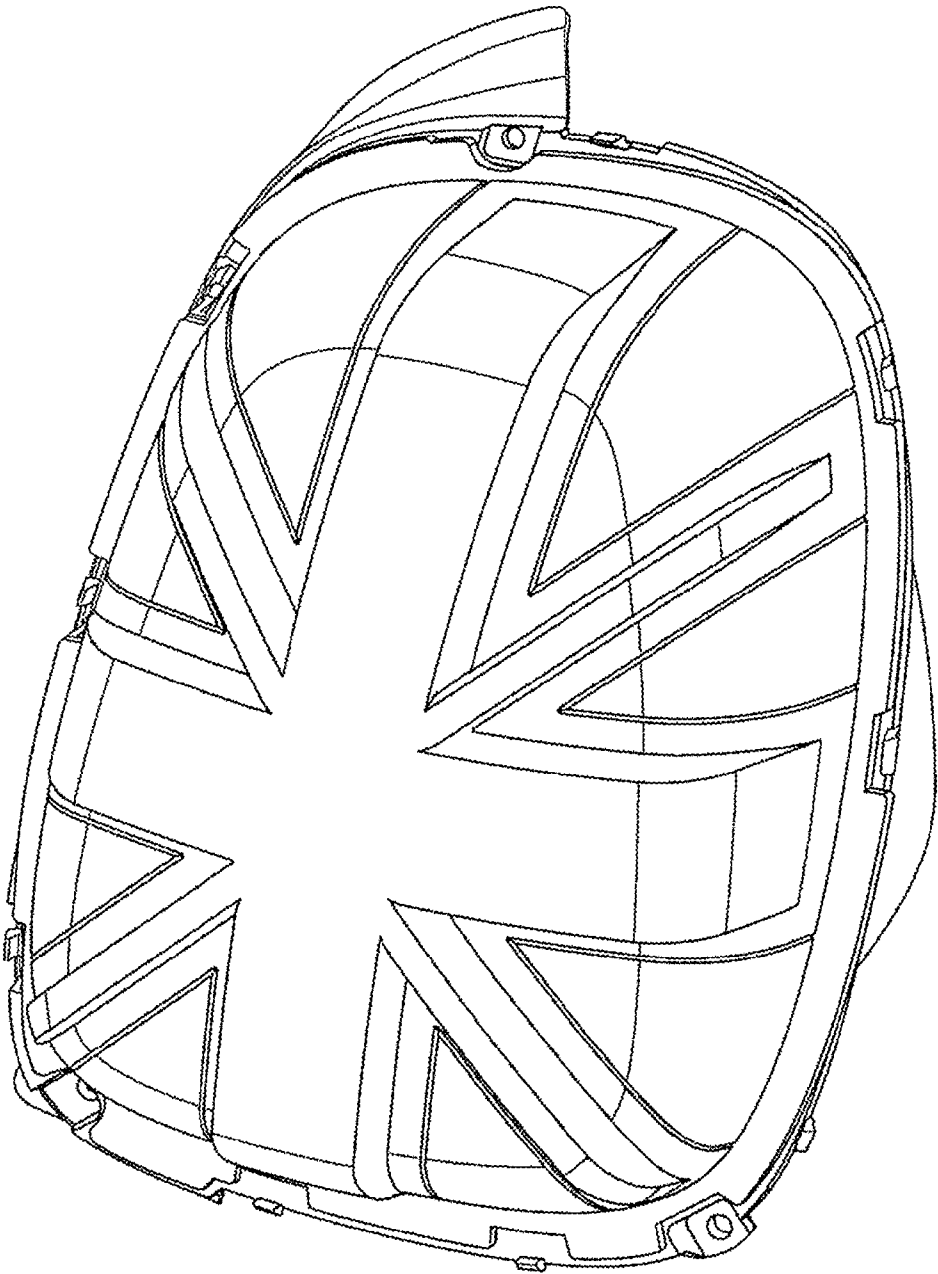


FIG. 2

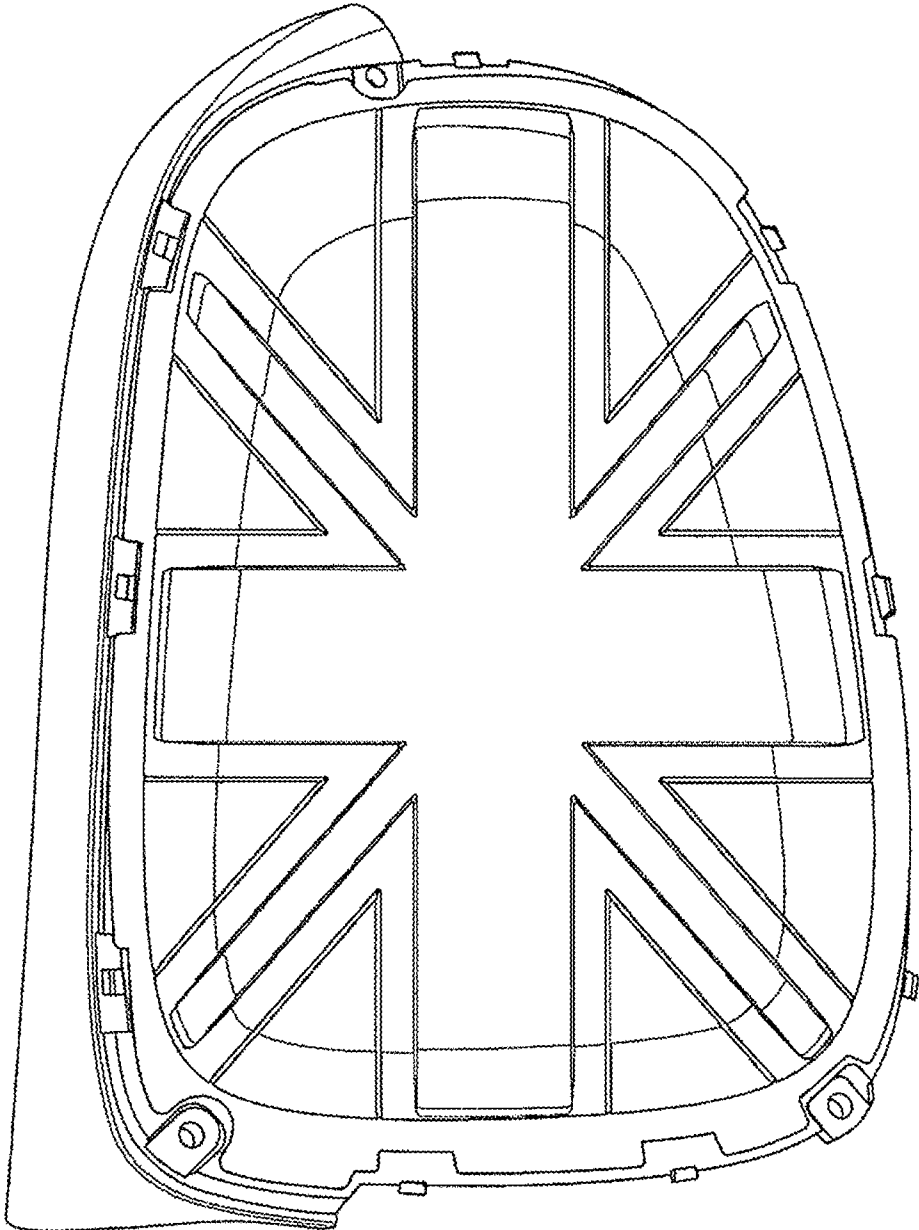


FIG. 3

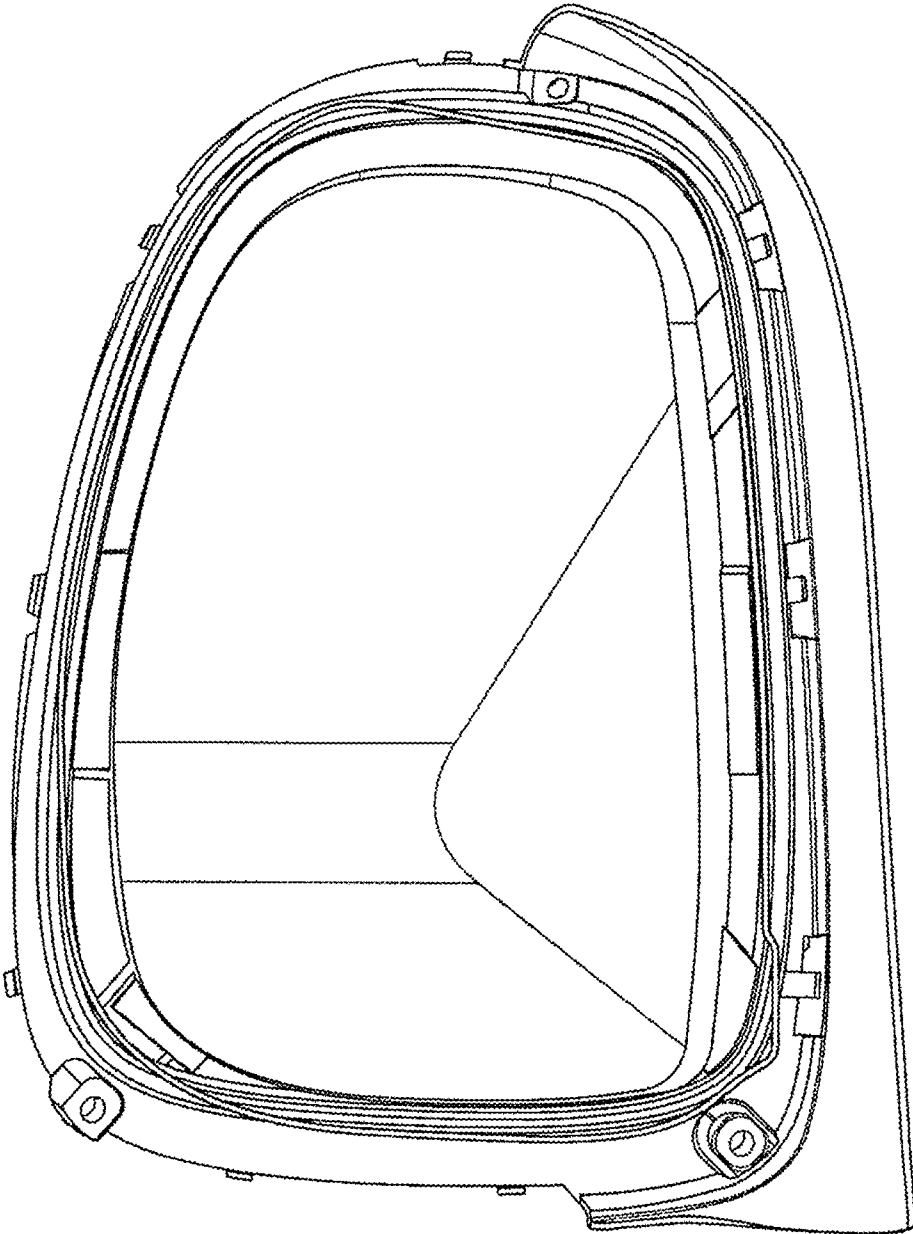


FIG. 4

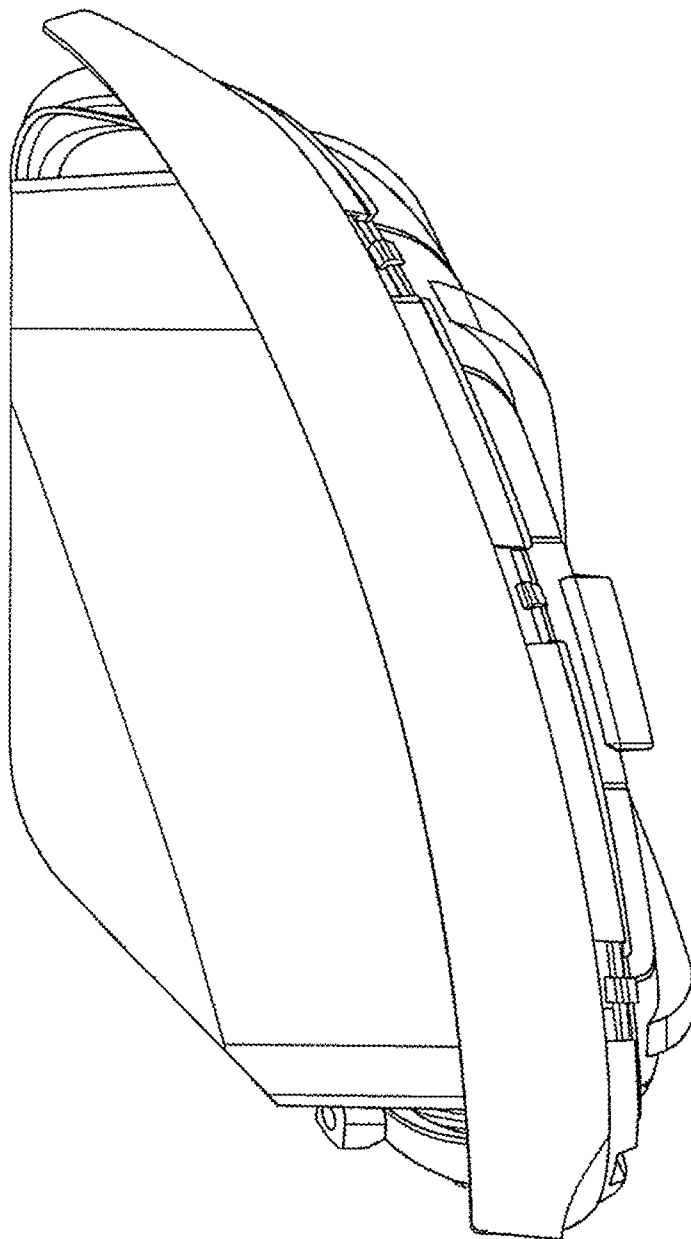
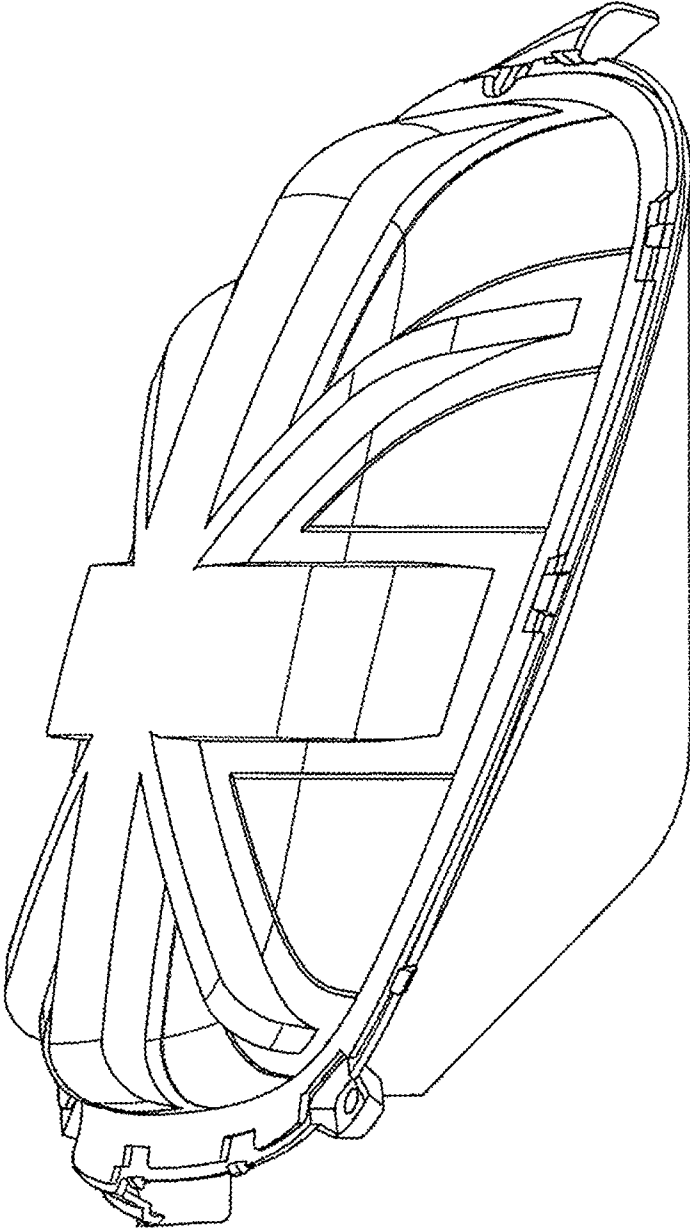


FIG. 5



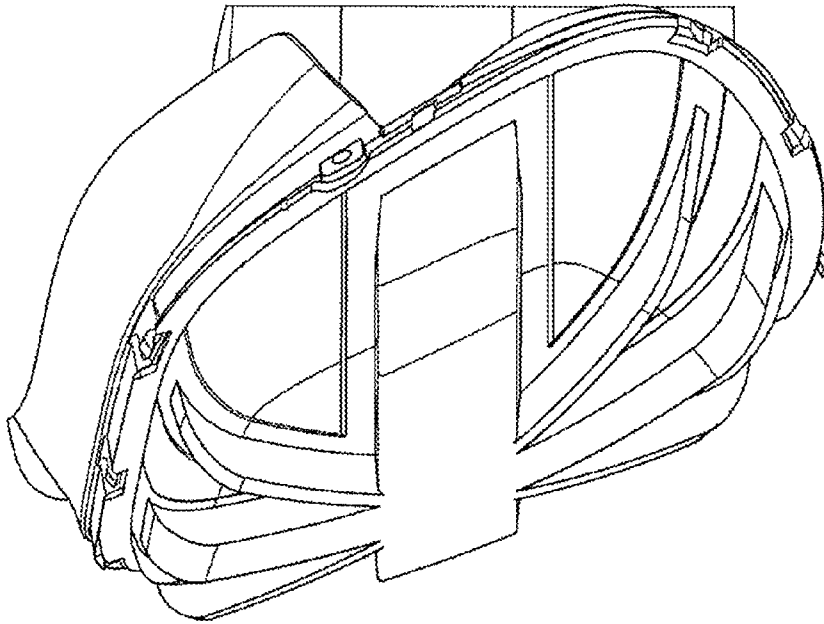


FIG. 6

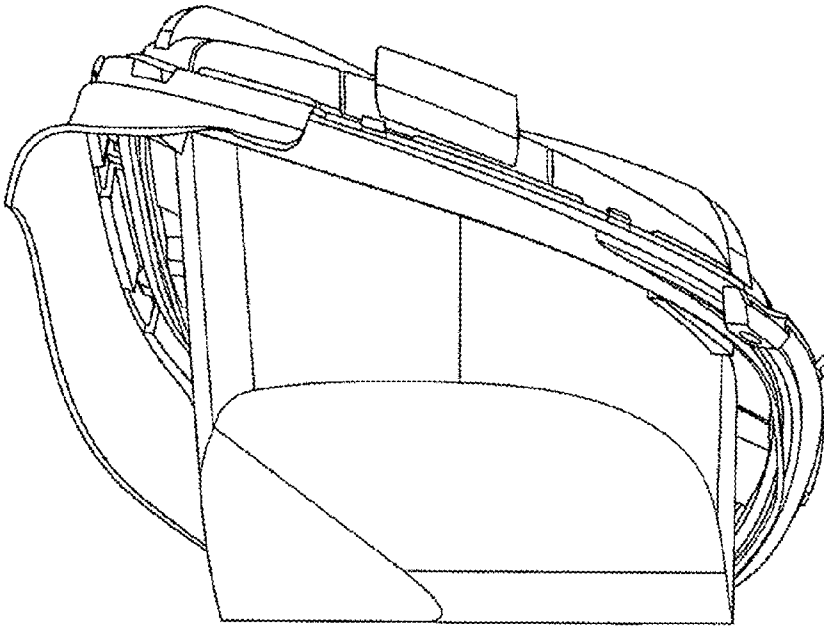


FIG. 7