



- (51) International Patent Classification:  
B64B 1/22 (2006.01) B64D 9/00 (2006.01)  
B64D 1/22 (2006.01)
- (21) International Application Number:  
PCT/US2014/063675
- (22) International Filing Date:  
3 November 2014 (03.11.2014)
- (25) Filing Language: English
- (26) Publication Language: English
- (30) Priority Data:  
61/899,574 4 November 2013 (04.11.2013) US  
61/988,584 5 May 2014 (05.05.2014) US  
62/055,978 26 September 2014 (26.09.2014) US
- (71) Applicant: LTA CORPORATION [US/US]; LTA Corporation c/o Goelet LLC, 425 Park Avenue, New York, New York 10022 (US).
- (72) Inventors: GOELET, John; 2126 Connecticut Avenue, N.W., Apt. #45, Washington, District of Columbia 20008 (US). KAPITAN, Loginn; 402 Tapawingo Road SW, Vienna, Virginia 22180 (US). HOCHSTETLER, Ron; 3555 South Stafford Street, Arlington, Virginia 22206 (US).
- (74) Agent: REID, James T.; Norton Rose Fulbright Canada LLP/S.E.N.C.R.L., s.r.l., 1, Place Ville Marie - Suite 2500, Montréal, Québec H3B 1R1 (CA).

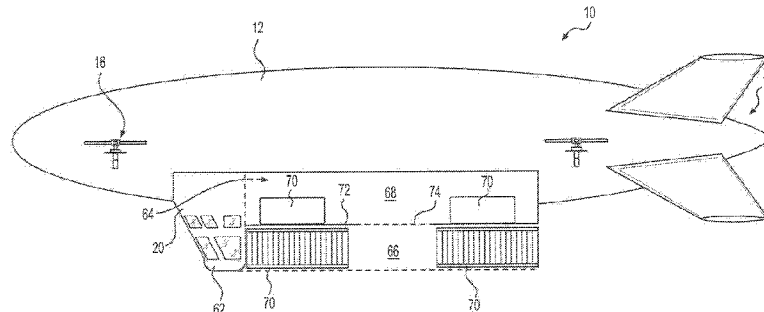
- (81) Designated States (unless otherwise indicated, for every kind of national protection available): AE, AG, AL, AM, AO, AT, AU, AZ, BA, BB, BG, BH, BN, BR, BW, BY, BZ, CA, CH, CL, CN, CO, CR, CU, CZ, DE, DK, DM, DO, DZ, EC, EE, EG, ES, FI, GB, GD, GE, GH, GM, GT, HN, HR, HU, ID, IL, IN, IR, IS, JP, KE, KG, KN, KP, KR, KZ, LA, LC, LK, LR, LS, LU, LY, MA, MD, ME, MG, MK, MN, MW, MX, MY, MZ, NA, NG, NI, NO, NZ, OM, PA, PE, PG, PH, PL, PT, QA, RO, RS, RU, RW, SA, SC, SD, SE, SG, SK, SL, SM, ST, SV, SY, TH, TJ, TM, TN, TR, TT, TZ, UA, UG, US, UZ, VC, VN, ZA, ZM, ZW.
- (84) Designated States (unless otherwise indicated, for every kind of regional protection available): ARIPO (BW, GH, GM, KE, LR, LS, MW, MZ, NA, RW, SD, SL, ST, SZ, TZ, UG, ZM, ZW), Eurasian (AM, AZ, BY, KG, KZ, RU, TJ, TM), European (AL, AT, BE, BG, CH, CY, CZ, DE, DK, EE, ES, FI, FR, GB, GR, HR, HU, IE, IS, IT, LT, LU, LV, MC, MK, MT, NL, NO, PL, PT, RO, RS, SE, SI, SK, SM, TR), OAPI (BF, BJ, CF, CG, CI, CM, GA, GN, GQ, GW, KM, ML, MR, NE, SN, TD, TG).

**Published:**

- with international search report (Art. 21(3))
- before the expiration of the time limit for amending the claims and to be republished in the event of receipt of amendments (Rule 48.2(h))

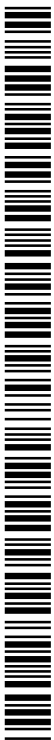
- (88) Date of publication of the international search report:  
26 November 2015

(54) Title: CARGO AIRSHIP



**FIG. 11**

(57) Abstract: A cargo airship (10) is disclosed. The cargo airship may include a hull (12) configured to contain a gas and at least one propulsion assembly (16) coupled to the airship and including a propulsion device. The cargo airship may further include a payload bay (64) comprising an external cargo area (66) located outside of the hull. The cargo airship may also include a cargo handling system including at least one hoisting mechanism (82) configured to lift cargo into the external cargo area while the airship is hovering.



# INTERNATIONAL SEARCH REPORT

International application No  
PCT/US2014/063675

**A. CLASSIFICATION OF SUBJECT MATTER**  
 INV. B64B1/22 B64D1/22 B64D9/00  
 ADD.

According to International Patent Classification (IPC) or to both national classification and IPC

**B. FIELDS SEARCHED**  
 Minimum documentation searched (classification system followed by classification symbols)  
 B64B B64D

Documentation searched other than minimum documentation to the extent that such documents are included in the fields searched

Electronic data base consulted during the international search (name of data base and, where practicable, search terms used)  
 EPO-Internal, WPI Data

**C. DOCUMENTS CONSIDERED TO BE RELEVANT**

Category*	Citation of document, with indication, where appropriate, of the relevant passages	Relevant to claim No.
X	DE 42 18 239 A1 (NOVATECH GMBH [DE]) 9 December 1993 (1993-12-09) column 3, lines 2-6, 45-47; figures -----	1-11, 15, 16, 49-54
X	DE 199 24 464 A1 (UTI HOLDING & MAN AG [DE]) 30 November 2000 (2000-11-30)  column 8, line 24 - column 9, line 29; figures -----	1-4, 6-14, 17-26
X	DE 198 11 794 A1 (DICK GUENTER [DE]) 23 September 1999 (1999-09-23)  column 2, lines 6-32; figure 1 -----  -/--	1-4, 6, 7, 9-12, 17-24, 49-54

Further documents are listed in the continuation of Box C.       See patent family annex.

\* Special categories of cited documents :

<p>"A" document defining the general state of the art which is not considered to be of particular relevance</p> <p>"E" earlier application or patent but published on or after the international filing date</p> <p>"L" document which may throw doubts on priority claim(s) or which is cited to establish the publication date of another citation or other special reason (as specified)</p> <p>"O" document referring to an oral disclosure, use, exhibition or other means</p> <p>"P" document published prior to the international filing date but later than the priority date claimed</p>	<p>"T" later document published after the international filing date or priority date and not in conflict with the application but cited to understand the principle or theory underlying the invention</p> <p>"X" document of particular relevance; the claimed invention cannot be considered novel or cannot be considered to involve an inventive step when the document is taken alone</p> <p>"Y" document of particular relevance; the claimed invention cannot be considered to involve an inventive step when the document is combined with one or more other such documents, such combination being obvious to a person skilled in the art</p> <p>"&amp;" document member of the same patent family</p>
---	---

Date of the actual completion of the international search  <b>20 July 2015</b>	Date of mailing of the international search report  <b>12/10/2015</b>
--	---

Name and mailing address of the ISA/ European Patent Office, P.B. 5818 Patentlaan 2 NL - 2280 HV Rijswijk Tel. (+31-70) 340-2040, Fax: (+31-70) 340-3016	Authorized officer  <b>Vermeulen, Tom</b>
--	---

**INTERNATIONAL SEARCH REPORT**

International application No PCT/US2014/063675
---

C(Continuation). DOCUMENTS CONSIDERED TO BE RELEVANT

Category*	Citation of document, with indication, where appropriate, of the relevant passages	Relevant to claim No.
X	US 8 152 092 B2 (ZULKOWSKI ROLF [DE] ET AL) 10 April 2012 (2012-04-10) column 9, lines 30-40; figures 4-5 -----	1,6,7,49
X	US 5 026 003 A (SMITH WILLIAM R [US]) 25 June 1991 (1991-06-25) column 4, line 46 - column 5, line 2; figures -----	1,12-14, 49

# INTERNATIONAL SEARCH REPORT

International application No.  
PCT/US2014/063675

## Box No. II Observations where certain claims were found unsearchable (Continuation of item 2 of first sheet)

This international search report has not been established in respect of certain claims under Article 17(2)(a) for the following reasons:

1.  Claims Nos.:  
because they relate to subject matter not required to be searched by this Authority, namely:
  
2.  Claims Nos.:  
because they relate to parts of the international application that do not comply with the prescribed requirements to such an extent that no meaningful international search can be carried out, specifically:
  
3.  Claims Nos.:  
because they are dependent claims and are not drafted in accordance with the second and third sentences of Rule 6.4(a).

## Box No. III Observations where unity of invention is lacking (Continuation of item 3 of first sheet)

This International Searching Authority found multiple inventions in this international application, as follows:

see additional sheet

1.  As all required additional search fees were timely paid by the applicant, this international search report covers all searchable claims.
2.  As all searchable claims could be searched without effort justifying an additional fees, this Authority did not invite payment of additional fees.
3.  As only some of the required additional search fees were timely paid by the applicant, this international search report covers only those claims for which fees were paid, specifically claims Nos.:
4.  No required additional search fees were timely paid by the applicant. Consequently, this international search report is restricted to the invention first mentioned in the claims; it is covered by claims Nos.:

1-26, 49-54

### Remark on Protest

- The additional search fees were accompanied by the applicant's protest and, where applicable, the payment of a protest fee.
- The additional search fees were accompanied by the applicant's protest but the applicable protest fee was not paid within the time limit specified in the invitation.
- No protest accompanied the payment of additional search fees.

**FURTHER INFORMATION CONTINUED FROM PCT/ISA/ 210**

This International Searching Authority found multiple (groups of) inventions in this international application, as follows:

1. claims: 1-26, 49-54

Airship having a cargo bay with an external cargo area and having a cargo handling system with a hoisting system.  
Method for delivering cargo by such an airship.

---

2. claims: 27-33

Flight control system for an airship with processors determining and displaying a route map based on estimated environmental factors.

---

3. claims: 34-44

Airship with a hull having a specific elongated lenticular shape.

---

4. claims: 45-48

Airship having propulsion assemblies secured on a port and a starboard side and having a fin assembly arranged in an X-configuration.

---

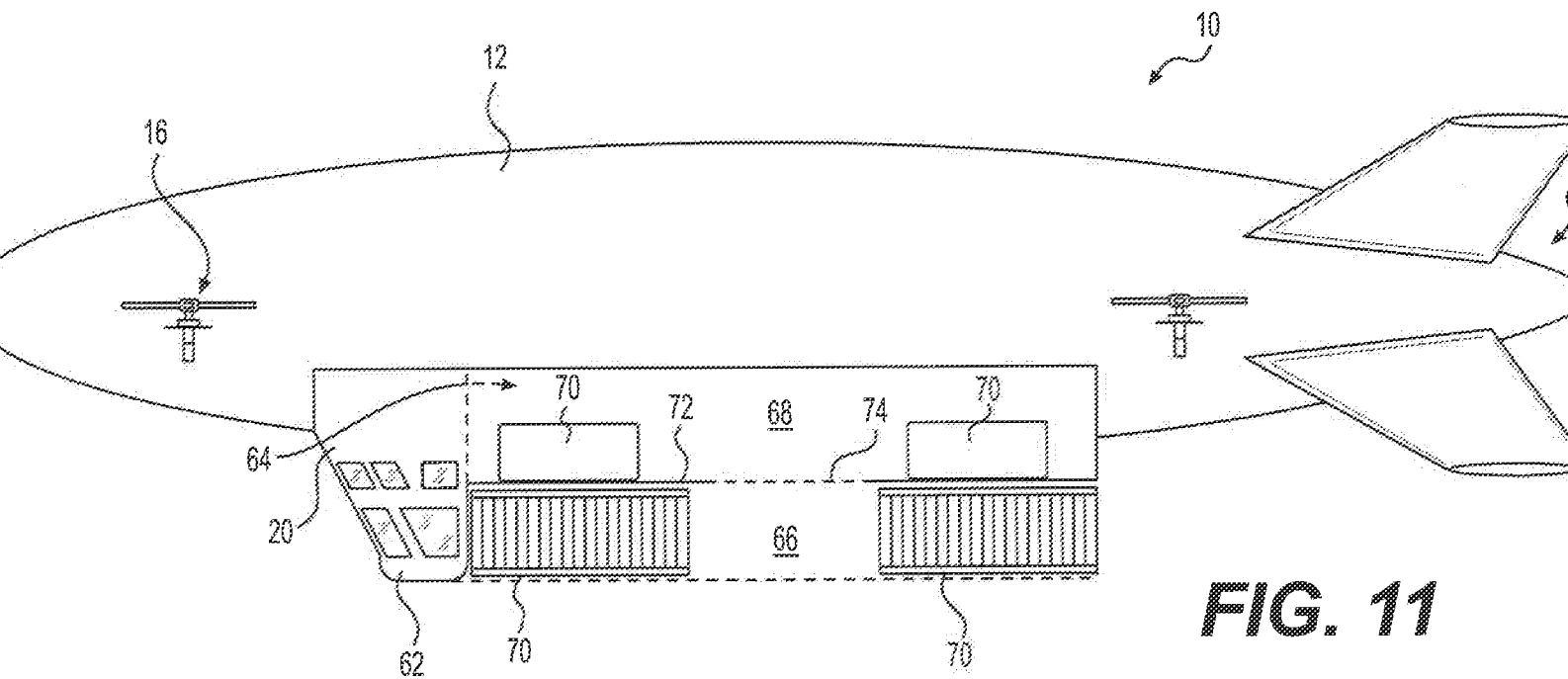
# INTERNATIONAL SEARCH REPORT

Information on patent family members

International application No

PCT/US2014/063675

Patent document cited in search report	Publication date	Patent family member(s)	Publication date
DE 4218239	A1	09-12-1993	DE 4218239 A1 09-12-1993
			RU 94046242 A 10-10-1996
-----			
DE 19924464	A1	30-11-2000	NONE
-----			
DE 19811794	A1	23-09-1999	NONE
-----			
US 8152092	B2	10-04-2012	AT 506252 T 15-05-2011
			CA 2632223 A1 14-06-2007
			EP 2001738 A2 17-12-2008
			US 2009078818 A1 26-03-2009
			WO 2007065649 A2 14-06-2007
			ZA 200805317 A 28-10-2009
-----			
US 5026003	A	25-06-1991	NONE
-----			



**FIG. 11**