

(19) World Intellectual Property Organization
International Bureau



(43) International Publication Date
2 October 2008 (02.10.2008)

PCT

(10) International Publication Number
WO 2008/117172 A3

- (51) International Patent Classification:
E21B 17/042 (2006.01)
- (21) International Application Number:
PCT/IB2008/000746
- (22) International Filing Date: 19 March 2008 (19.03.2008)
- (25) Filing Language: English
- (26) Publication Language: English
- (30) Priority Data:
11/692,243 28 March 2007 (28.03.2007) US
- (71) Applicant (for all designated States except US): **GRANT PRIDECO LP** [US/US]; 400 N Sam Houston Parkway E.#900, Houston, Texas 77060 (US).

AO, AT, AU, AZ, BA, BB, BG, BH, BR, BW, BY, BZ, CA, CH, CN, CO, CR, CU, CZ, DE, DK, DM, DO, DZ, EC, EE, EG, ES, FI, GB, GD, GE, GH, GM, GT, HN, HR, HU, ID, IL, IN, IS, JP, KE, KG, KM, KN, KP, KR, KZ, LA, LC, LK, LR, LS, LT, LU, LY, MA, MD, ME, MG, MK, MN, MW, MX, MY, MZ, NA, NG, NI, NO, NZ, OM, PG, PH, PL, PT, RO, RS, RU, SC, SD, SE, SG, SK, SL, SM, SV, SY, TJ, TM, TN, TR, TT, TZ, UA, UG, US, UZ, VC, VN, ZA, ZM, ZW.

(84) Designated States (unless otherwise indicated, for every kind of regional protection available): ARIPO (BW, GH, GM, KE, LS, MW, MZ, NA, SD, SL, SZ, TZ, UG, ZM, ZW), Eurasian (AM, AZ, BY, KG, KZ, MD, RU, TJ, TM), European (AT, BE, BG, CH, CY, CZ, DE, DK, EE, ES, FI, FR, GB, GR, HR, HU, IE, IS, IT, LT, LU, LV, MC, MT, NL, NO, PL, PT, RO, SE, SI, SK, TR), OAPI (BF, BJ, CF, CG, CI, CM, GA, GN, GQ, GW, ML, MR, NE, SN, TD, TG).

- (72) Inventors; and
- (75) Inventors/Applicants (for US only): **CRAIG, Gordon W** [US/US]; 118 Douvaine Ct, The Woodlands, Texas 77382 (US). **HEGLER, Matthew A** [US/US]; 2115 Runnels Apt 5305, Houston, Texas 77003 (US).

Published:
— with international search report
— before the expiration of the time limit for amending the claims and to be republished in the event of receipt of amendments

- (81) Designated States (unless otherwise indicated, for every kind of national protection available): AE, AG, AL, AM,
- (88) Date of publication of the international search report: 31 December 2008

(54) Title: OILFIELD THREADED CONNECTION

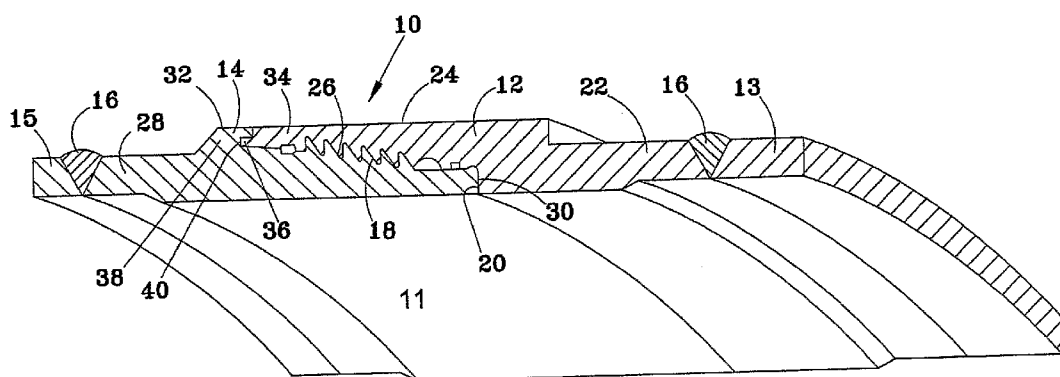


FIG. 1

(57) Abstract: A threaded connector 10 includes a box connector 12 having internal threads 18 and a pin connector 14 having external threads 26 for mating with the internal threads. An axially opposing end 34 of the box connector includes a projecting ring 36 extending axially opposite the box weld end with respect to the internal threads. The pin connector 14 has an annular slot 40 for receiving the projecting ring 36, with the slot having an inner wall 44, an outer wall 42, and a base surface 46. At least one of the radially outer surface 60 of the pin connector and the radially inner surface 64 of the box connector is a radiused surface.



WO 2008/117172 A3

INTERNATIONAL SEARCH REPORT

International application No

PCT/IB2008/000746

A. CLASSIFICATION OF SUBJECT MATTER

INV. E21B17/042

According to International Patent Classification (IPC) or to both national classification and IPC

B. FIELDS SEARCHED

Minimum documentation searched (classification system followed by classification symbols)

E21B

Documentation searched other than minimum documentation to the extent that such documents are included in the fields searched

Electronic data base consulted during the international search (name of data base and, where practical, search terms used)

EPO-Internal

C. DOCUMENTS CONSIDERED TO BE RELEVANT

Category*	Citation of document, with indication, where appropriate, of the relevant passages	Relevant to claim No.
Y	US 4 629 221 A (LUMSDEN NORMAN [GB] ET AL) 16 December 1986 (1986-12-16) column 4, line 60 - column 5, line 23 column 8, lines 24-64; figures 1-13	1, 15, 24
Y	DE 32 07 180 C1 (MANNESMANN AG) 28 July 1983 (1983-07-28) column 4, line 61 - column 5, line 11; figures 1-4	1, 15, 24
Y	WO 01/11182 A (HUNTING OILFIELD SERVICES INC [US]) 15 February 2001 (2001-02-15) page 10, line 10 - page 11, line 6; figures 2, 3, 11, 12	1, 15, 24
Y	EP 1 754 920 A (METAL ONE CORP [JP]) 21 February 2007 (2007-02-21) paragraph [0014]; claims 1-4; figures 3, 6	1, 15, 24
	-/--	

 Further documents are listed in the continuation of Box C. See patent family annex.

* Special categories of cited documents:

- *A* document defining the general state of the art which is not considered to be of particular relevance
- *E* earlier document but published on or after the international filing date
- *L* document which may throw doubts on priority claim(s) or which is cited to establish the publication date of another citation or other special reason (as specified)
- *O* document referring to an oral disclosure, use, exhibition or other means
- *P* document published prior to the international filing date but later than the priority date claimed

T later document published after the international filing date or priority date and not in conflict with the application but cited to understand the principle or theory underlying the invention

X document of particular relevance; the claimed invention cannot be considered novel or cannot be considered to involve an inventive step when the document is taken alone

Y document of particular relevance; the claimed invention cannot be considered to involve an inventive step when the document is combined with one or more other such documents, such combination being obvious to a person skilled in the art.

S document member of the same patent family

Date of the actual completion of the international search

5 November 2008

Date of mailing of the international search report

14/11/2008

Name and mailing address of the ISA/

European Patent Office, P.B. 5818 Patentlaan 2
NL - 2280 HV Rijswijk
Tel. (+31-70) 340-2040.
Fax: (+31-70) 340-3016

Authorized officer

Manolache, Iustin

INTERNATIONAL SEARCH REPORT

International application No
PCT/IB2008/000746

C(Continuation). DOCUMENTS CONSIDERED TO BE RELEVANT

Category*	Citation of document, with indication, where appropriate, of the relevant passages	Relevant to claim No.
A	US 4 643 467 A (WOOD KENNETH M [US]) 17 February 1987 (1987-02-17) the whole document -----	1-29

INTERNATIONAL SEARCH REPORT

International application No

PCT/IB2008/000746

Patent document cited in search report	Publication date	Patent family member(s)	Publication date
US 4629221	A	16-12-1986	CA 1233855 A1 08-03-1988
			DE 3412546 A1 11-10-1984
			FR 2544049 A1 12-10-1984
			NO 841324 A 08-10-1984
DE 3207180	C1	28-07-1983	JP 1657543 C 21-04-1992
			JP 3019434 B 15-03-1991
			JP 58160687 A 24-09-1983
WO 0111182	A	15-02-2001	AT 307957 T 15-11-2005
			AU 761378 B2 05-06-2003
			AU 7054600 A 05-03-2001
			CA 2381711 A1 15-02-2001
			CN 1375034 A 16-10-2002
			DE 60023504 D1 01-12-2005
			DE 60023504 T2 27-07-2006
			EP 1200704 A1 02-05-2002
			JP 2003506602 T 18-02-2003
			MX PA02001524 A 21-07-2003
			NO 20020646 A 08-04-2002
			NZ 517173 A 30-01-2004
			TR 200200362 T2 21-08-2002
EP 1754920	A	21-02-2007	CN 1977124 A 06-06-2007
			JP 2005351324 A 22-12-2005
			WO 2005121622 A1 22-12-2005
			US 2008191479 A1 14-08-2008
US 4643467	- A	17-02-1987	NONE