



US00D850460S

(12) **United States Design Patent**
Luo

(10) **Patent No.:** **US D850,460 S**
(45) **Date of Patent:** **** Jun. 4, 2019**

(54) **KEYBOARD**

(71) Applicant: **Jing Ye**, Shenzhen (CN)

(72) Inventor: **Mengming Luo**, Nanchang (CN)

(73) Assignee: **Jing Ye**, Shenzhen (CN)

(**) Term: **15 Years**

(21) Appl. No.: **29/665,467**

(22) Filed: **Oct. 3, 2018**

Related U.S. Application Data

(60) Division of application No. 29/606,004, filed on May 31, 2017, now Pat. No. Des. 834,033, which is a continuation-in-part of application No. 29/582,478, filed on Oct. 27, 2016, now abandoned, which is a continuation-in-part of application No. 29/557,701, filed on Mar. 10, 2016, now Pat. No. Des. 803,254.

Foreign Application Priority Data

Jan. 13, 2017 (CN) 2017 3 0012780
Jan. 13, 2017 (CN) 2017 3 0012789
Mar. 31, 2017 (CN) 2017 3 0103763

(51) **LOC (11) Cl.** **14-02**

(52) **U.S. Cl.**
USPC **D14/455**

(58) **Field of Classification Search**
USPC D14/455, 456, 485, 486, 487
CPC .. G06F 3/0489; G06F 3/0225; G06F 15/0266;
G06F 19/3406; G06Q 10/06; G06Q
10/109
See application file for complete search history.

(56) **References Cited**

U.S. PATENT DOCUMENTS

D324,500 S * 3/1992 Franklin D10/46.1
D353,369 S * 12/1994 Leibengood D14/455

D364,860 S * 12/1995 Giebler D14/456
D424,541 S * 5/2000 Mugura D14/486
D441,762 S * 5/2001 Mugura D14/486
D524,809 S * 7/2006 Alcouloumre D14/341
D586,821 S * 2/2009 Koh D14/486
D669,487 S * 10/2012 Yang D14/486
D671,552 S * 11/2012 Mori D14/486
D691,618 S * 10/2013 Chen D14/485

(Continued)

Primary Examiner — Janice Hallmark

Assistant Examiner — Harold E Blackwell, II

(74) *Attorney, Agent, or Firm* — Wayne & Ken, LLC;
Tony Hom

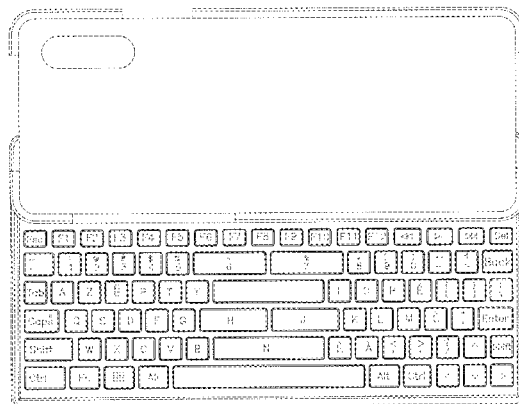
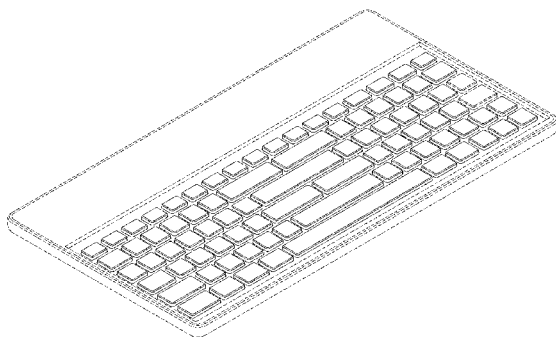
(57) **CLAIM**

The ornamental design for a keyboard, as shown and described.

DESCRIPTION

FIG. 1 is a perspective view of a first embodiment of a keyboard showing my new design;
FIG. 2 is a front elevational view of FIG. 1;
FIG. 3 is a perspective view of a second embodiment of the keyboard;
FIG. 4 is a front elevational view of FIG. 3;
FIG. 5 is a front elevational view of FIG. 3 showing the keyboard connected with a mobile phone shell;
FIG. 6 is a front elevational view of FIG. 3 showing the keyboard connected with a mobile phone shell in an operation state; and,
FIG. 7 is a front elevational view of FIG. 5 showing the keyboard connected in an operation state.
The broken lines showing of letters, symbols, some keys, and boundaries in the drawings illustrate portions of the keyboard operated which no part of the claimed design. The broken lines in FIGS. 5 and 7 showing a mobile phone shell form no part of the claimed design. The broken lines in FIGS. 6 and 7 showing of hands form no part of the claimed design.

1 Claim, 7 Drawing Sheets



(56)

References Cited

U.S. PATENT DOCUMENTS

D728,595 S * 5/2015 Yoneda D14/486
D741,354 S * 10/2015 Lee D14/487
D743,978 S * 11/2015 Amin D14/486
D747,334 S * 1/2016 Wang D14/486
D748,120 S * 1/2016 Bauer D14/486
D748,121 S * 1/2016 Bauer D14/486
D748,122 S * 1/2016 Bauer D14/486
D749,108 S * 2/2016 Bauer D14/486
D750,648 S * 3/2016 Hatta D14/486
D752,081 S * 3/2016 Chang D14/486
D753,703 S * 4/2016 Villamor D14/488
D759,032 S * 6/2016 Amin D14/485
D759,704 S * 6/2016 Kettner D14/488
D764,528 S * 8/2016 Choi D14/488
D774,077 S * 12/2016 Donnelly D14/488
D774,521 S * 12/2016 Amin D14/485
9,665,277 B2 * 5/2017 Luo G06F 3/0233
D789,958 S * 6/2017 Snavely D14/486
D803,254 S * 11/2017 Luo D14/487
9,933,858 B2 * 4/2018 Luo G06F 3/04886
D834,033 S * 11/2018 Luo D14/455
D834,034 S * 11/2018 Luo D14/456
10,156,984 B2 * 12/2018 Luo G06F 3/0233
2014/0184515 A1 * 7/2014 Willner G06F 1/1624
345/169
2016/0004435 A1 * 1/2016 Luo G06F 3/0233
715/773
2017/0123507 A1 * 5/2017 Luo G06F 3/04886
2017/0220248 A1 * 8/2017 Luo G06F 3/0233

* cited by examiner

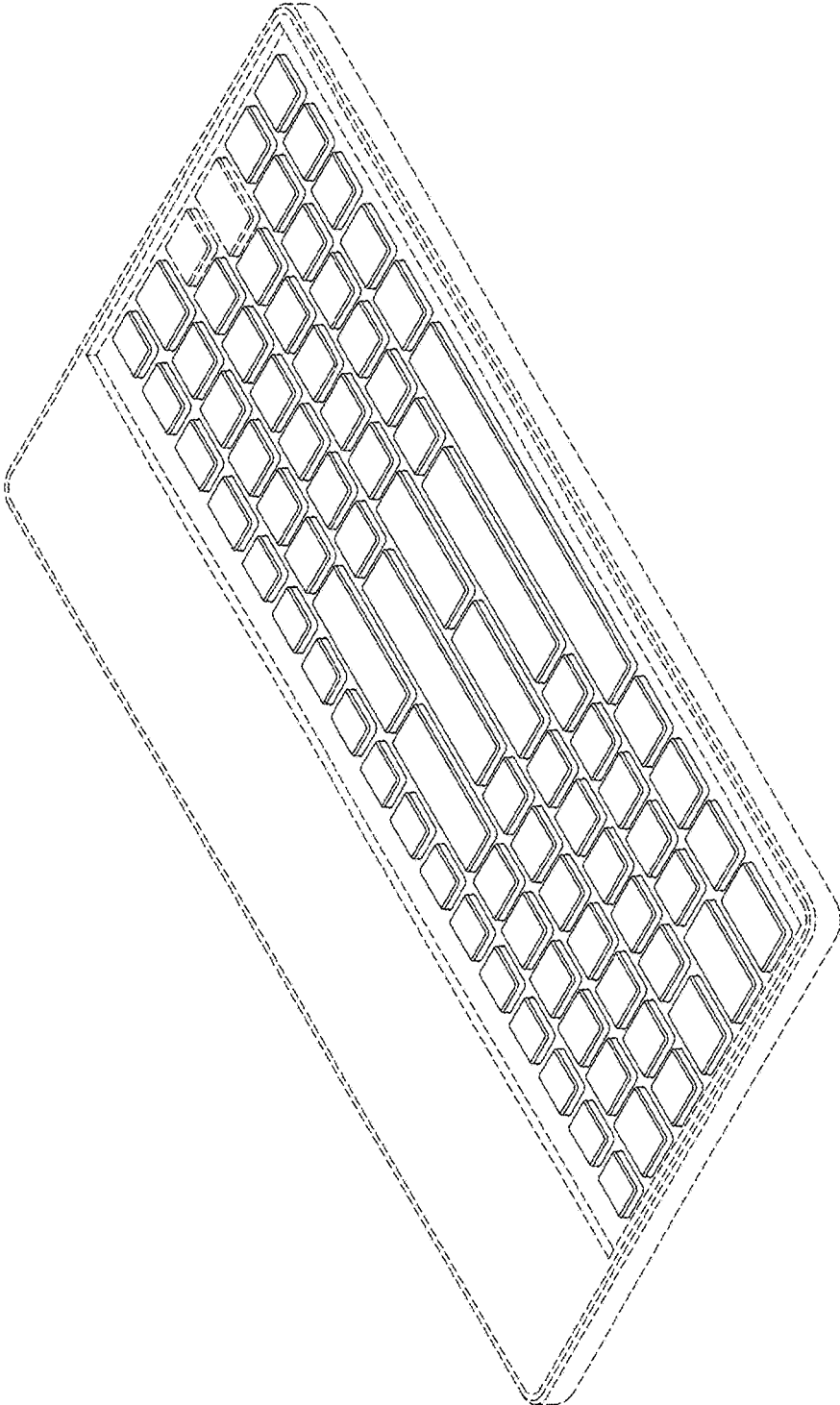


FIG. 1

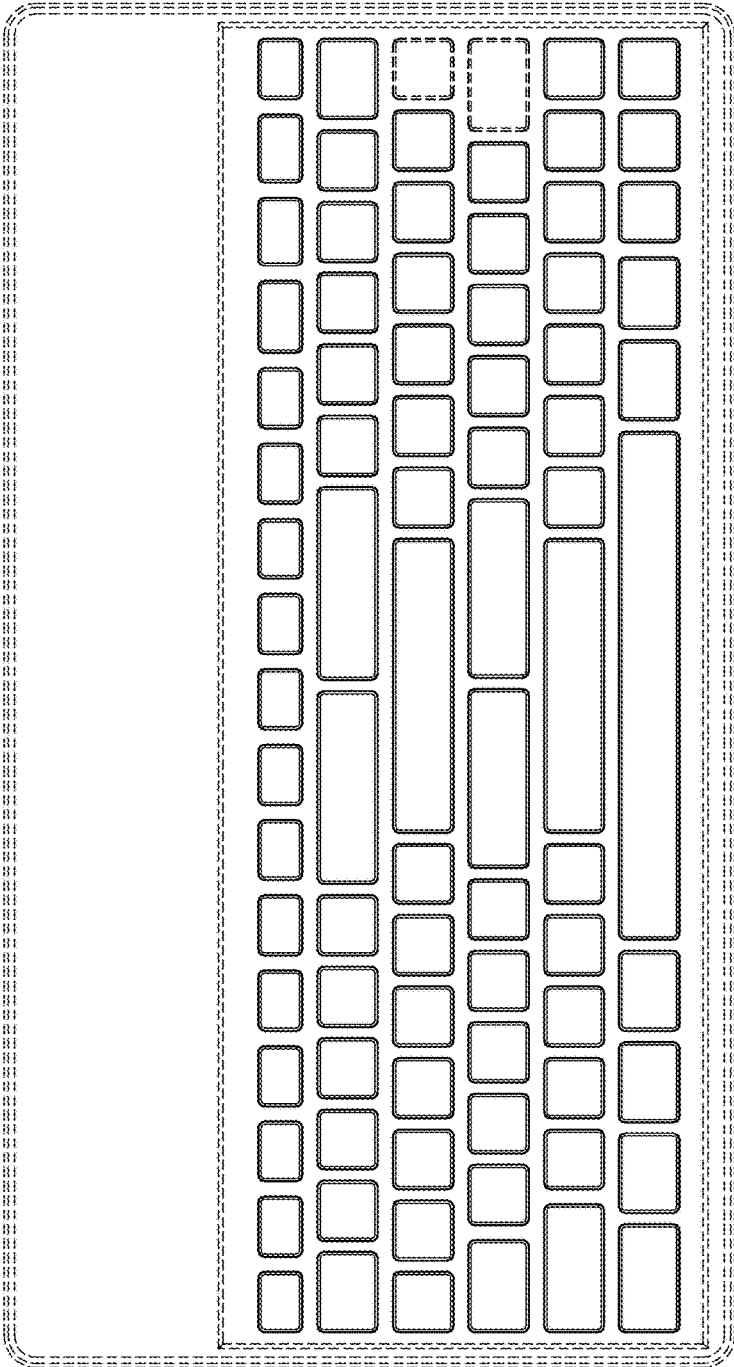


FIG. 2

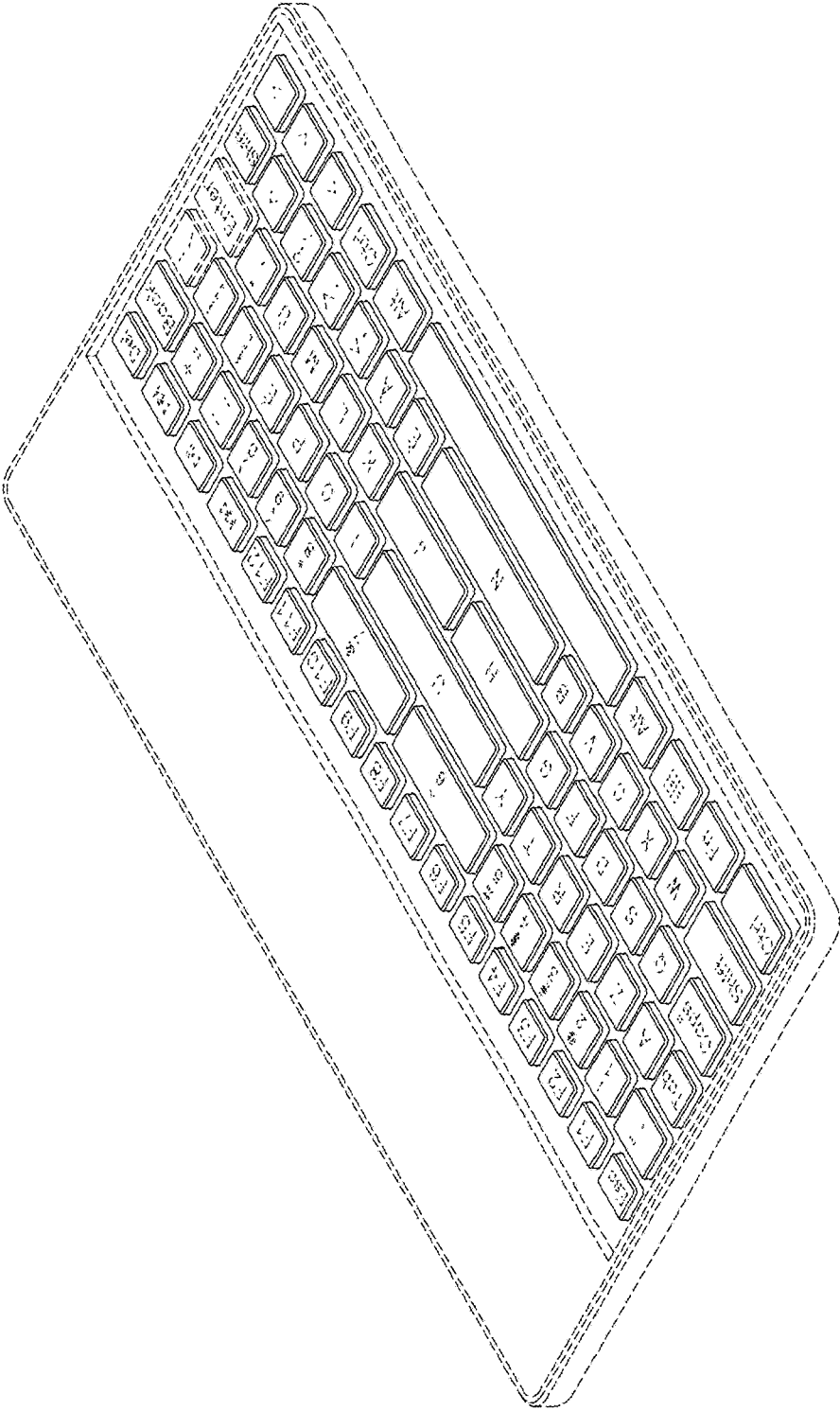


FIG. 3

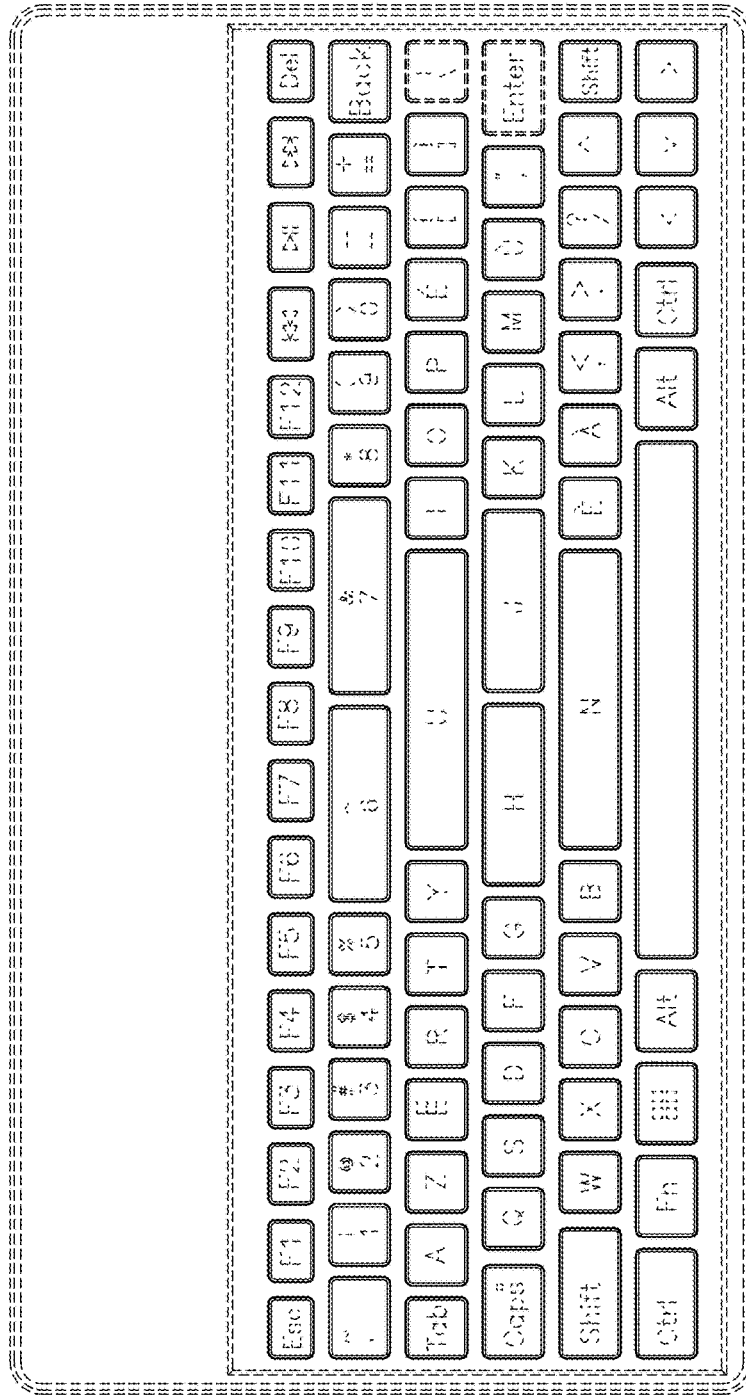


FIG. 4

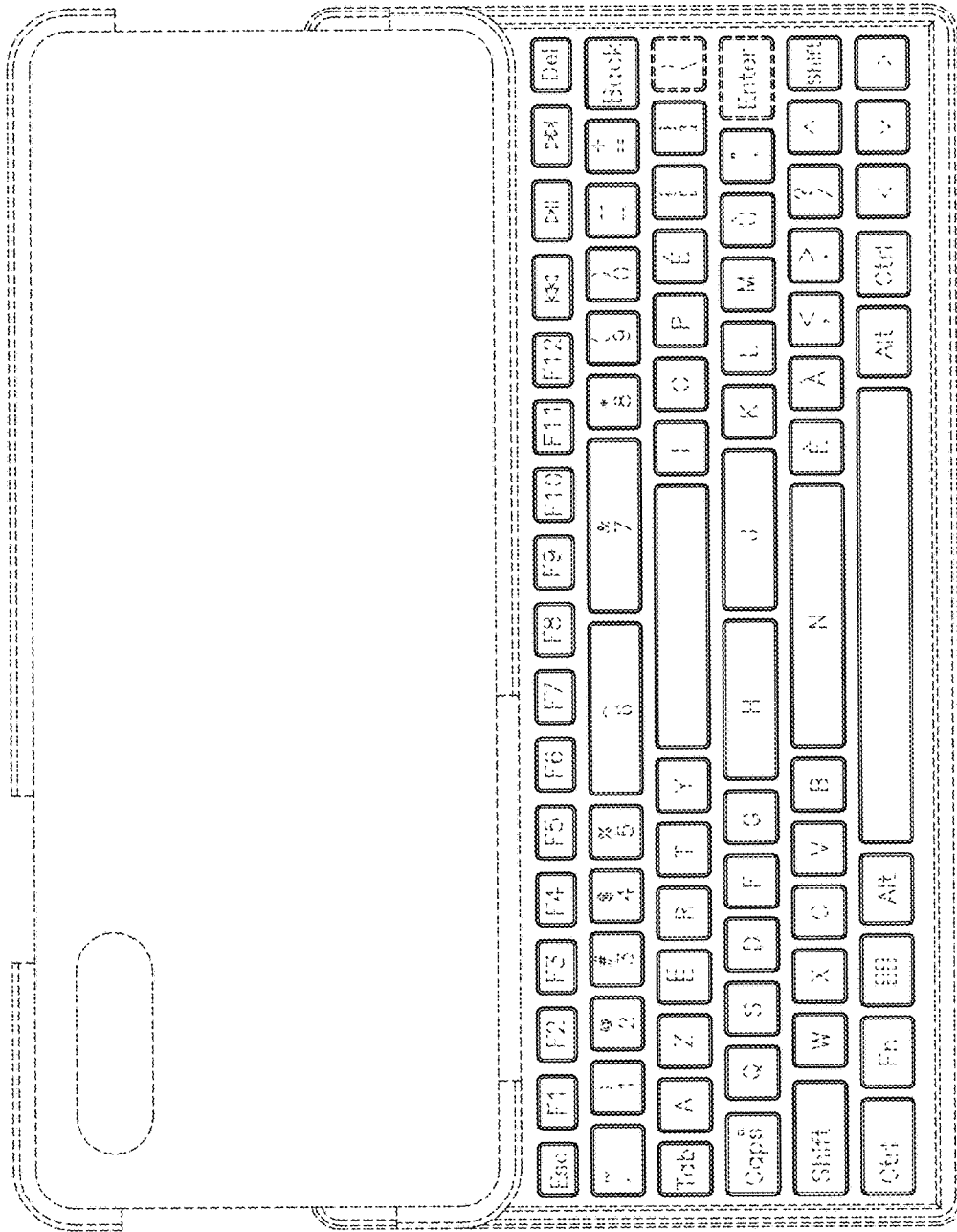
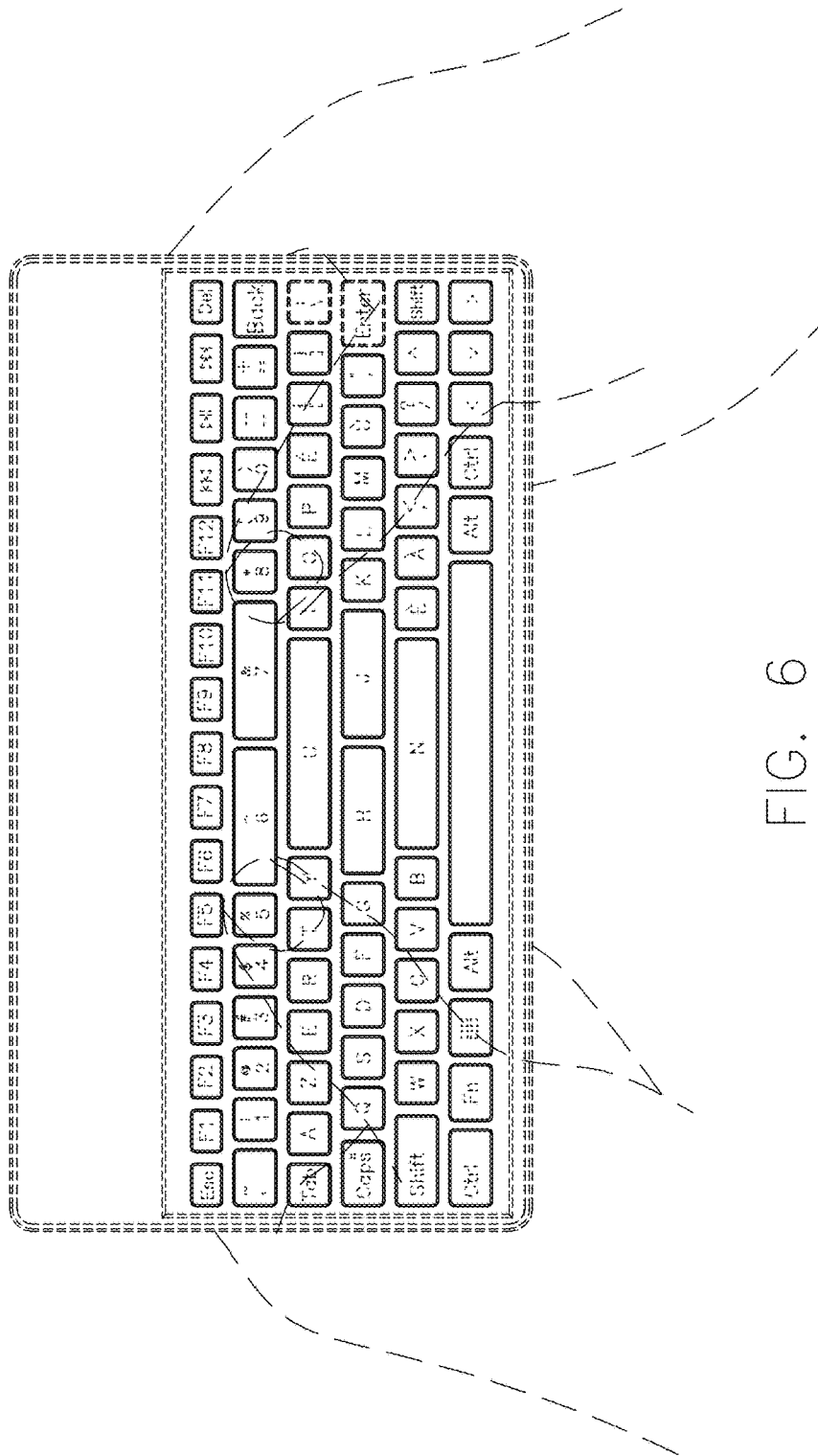


FIG. 5



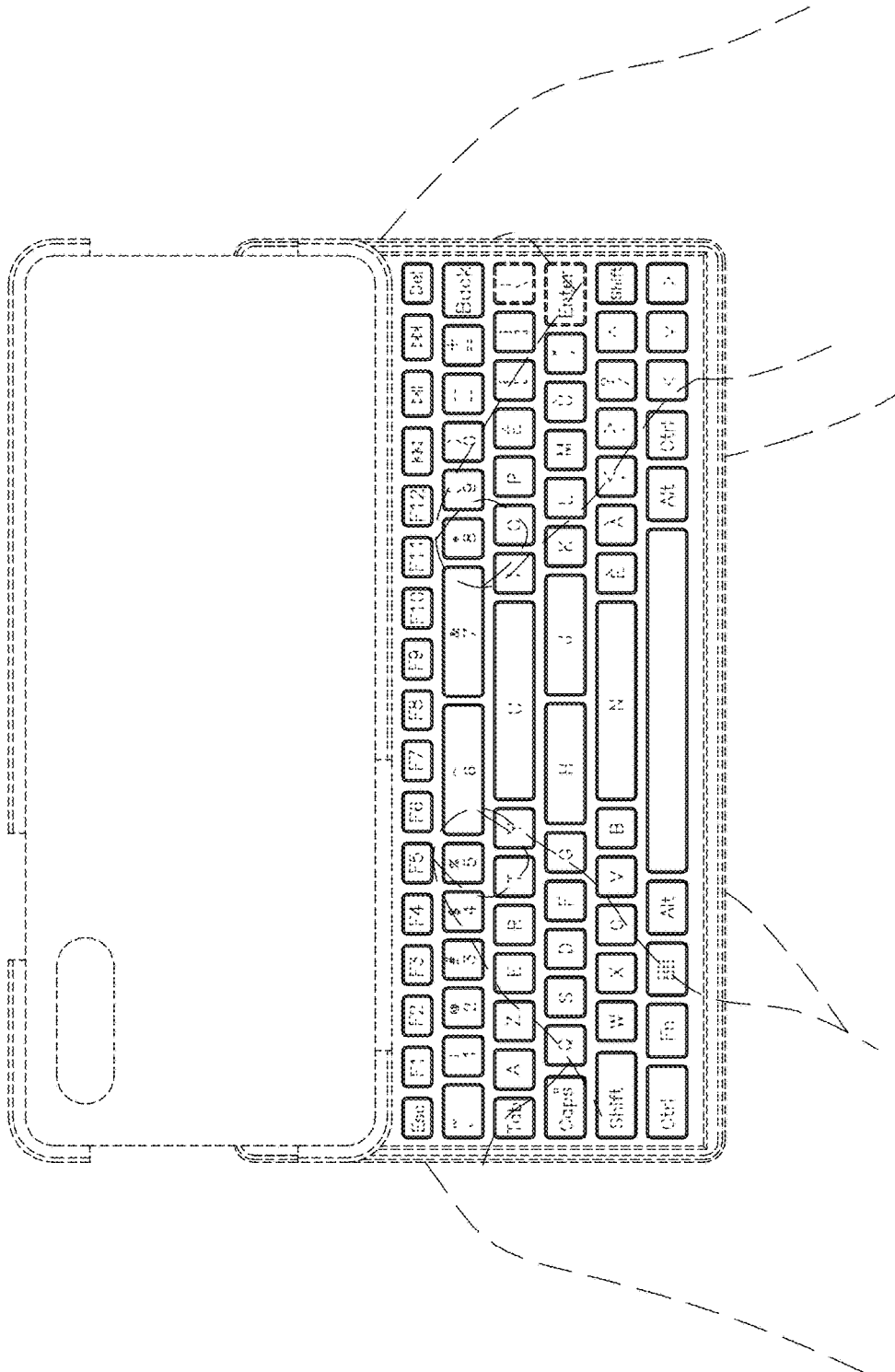


FIG. 7