



(12) **United States Design Patent**
Sarnoff et al.

(10) **Patent No.:** **US D801,110 S**
(45) **Date of Patent:** **** Oct. 31, 2017**

- (54) **SET OF NESTED LIDS FOR PANS** 8,006,843 B1 * 8/2011 McFarland B65D 1/34
206/503
- (71) Applicant: **HFA, INC.**, Wheeling, IL (US) D646,923 S * 10/2011 Chhay B65D 21/0222
D7/391
- (72) Inventors: **Brad Sarnoff**, Highland Park, IL (US); D694,062 S * 11/2013 Andres D7/392.1
Raj Patel, Lake Zurich, IL (US) D755,578 S * 5/2016 Wu D7/629
D770,277 S * 11/2016 Carlson D9/443
(Continued)
- (73) Assignee: **HFA, INC.**, Wheeling, IL (US)

(**) Term: **15 Years**

(21) Appl. No.: **29/598,097**

(22) Filed: **Mar. 23, 2017**

Related U.S. Application Data

- (63) Continuation-in-part of application No. 29/579,142, filed on Sep. 28, 2016.
- (51) **LOC (10) CL.** **07-01**
- (52) **U.S. CL.**
USPC **D7/391; D7/392.1**
- (58) **Field of Classification Search**
USPC D7/354, 360, 391, 392, 392.1, 396.1,
D7/511, 538, 542, 602, 629, 705;
D9/424, 430, 435, 443, 452, 454
CPC B65D 2543/00101; B65D 2543/00027
See application file for complete search history.

References Cited

U.S. PATENT DOCUMENTS

- 1,064,532 A 6/1913 Peacock
- 2,216,147 A 10/1940 Ward
- 2,669,914 A 2/1954 Swaine
- 3,262,668 A 7/1966 Luker
- 4,412,630 A * 11/1983 Daenen B65D 43/0218
220/792
- D360,105 S * 7/1995 Doxey D7/391
- 6,065,629 A 5/2000 Sarnoff
- D455,605 S * 4/2002 Dretzka D7/392.1
- D470,048 S * 2/2003 Buchalski D9/425
- D478,775 S * 8/2003 Tanji D7/392.1
- D598,197 S * 8/2009 Ahlstrom D3/323

OTHER PUBLICATIONS

“Handi-Foil 1/2-sz Foil Steam Lid”. Found online Jun. 30, 2017 at amazon.com. Page dated Apr. 18, 2006. Retrieved from https://www.amazon.com/HFA204930-2-Foil-Steam-Fits/dp/B004W5W6HY/ref=cm_cr_ar_p_d_product_top?ie=UTF8%2004.18.2006.*

(Continued)

Primary Examiner — Robert M. Spear
Assistant Examiner — Kendra Leslie Hamilton
(74) *Attorney, Agent, or Firm* — Adam K. Sacharoff;
Much Shelist, PC

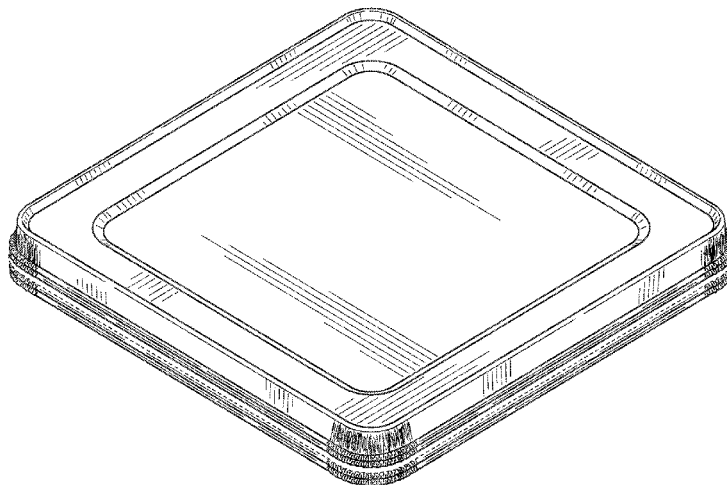
(57) **CLAIM**

The ornamental design for a set of nested lids for pans, as shown and described.

DESCRIPTION

FIG. 1 is a front side perspective view showing the new design for a set of nested lids for pans;
FIG. 2 is a left side view thereof;
FIG. 3 is a right side view thereof;
FIG. 4 is a front view thereof;
FIG. 5 is a rear side view thereof;
FIG. 6 is a top plan view thereof;
FIG. 7 is a bottom plan view of the thereof; and,
FIG. 8 is a bottom perspective view thereof.
The broken lines in the figures are included to show unclaimed subject matter only and form no part of the claimed design.

1 Claim, 6 Drawing Sheets



(56)

References Cited

U.S. PATENT DOCUMENTS

2009/0321462 A1* 12/2009 Hui B65D 43/021
220/780
2010/0170204 A1* 7/2010 Altheimer B65D 43/0218
220/377

OTHER PUBLICATIONS

“A World of Deals Aluminum Foil Lids for Steam Table”. Found online Jun. 30, 2017 at amazon.com. Page dated Jan. 14, 2015. Retrieved from https://www.amazon.com/World-Deals-Aluminum-Steam-Half-Size/dp/B00S8K8C16/ref=sr_1_2?ie=UTF8&qid=1497555442&sr=8-2&keywords=foil+lid%201.14.2015.*

“TigerChef Aluminum Foil Lids for Half Size Steam Table Pans”. Found online Jun. 30, 2017 at amazon.com. Page dated Jul. 14, 2015. Retrieved from https://www.amazon.com/TigerChef-TC-20488-Aluminum-Recipe-13/dp/B00TSRKHBI/ref=cm_cr_arpd_product_top?ie=UTF8.*

“FREEDco Aluminum ½ Size Lids”. Found online Jun. 30, 2017 at amazon.com. Page dated Dec. 6, 2016. Retrieved from https://www.amazon.com/FREEDco-Aluminum-Lids-Steam-Multi-Purpose/dp/B01N6DXX1J/ref=sr_1_29?ie=UTF8&qid=1497555511&sr=8-29&keywords=foil+lid.*

Copending U.S. Appl. No. 15/586,547; Office Action; dated Jun. 30, 2017.

* cited by examiner

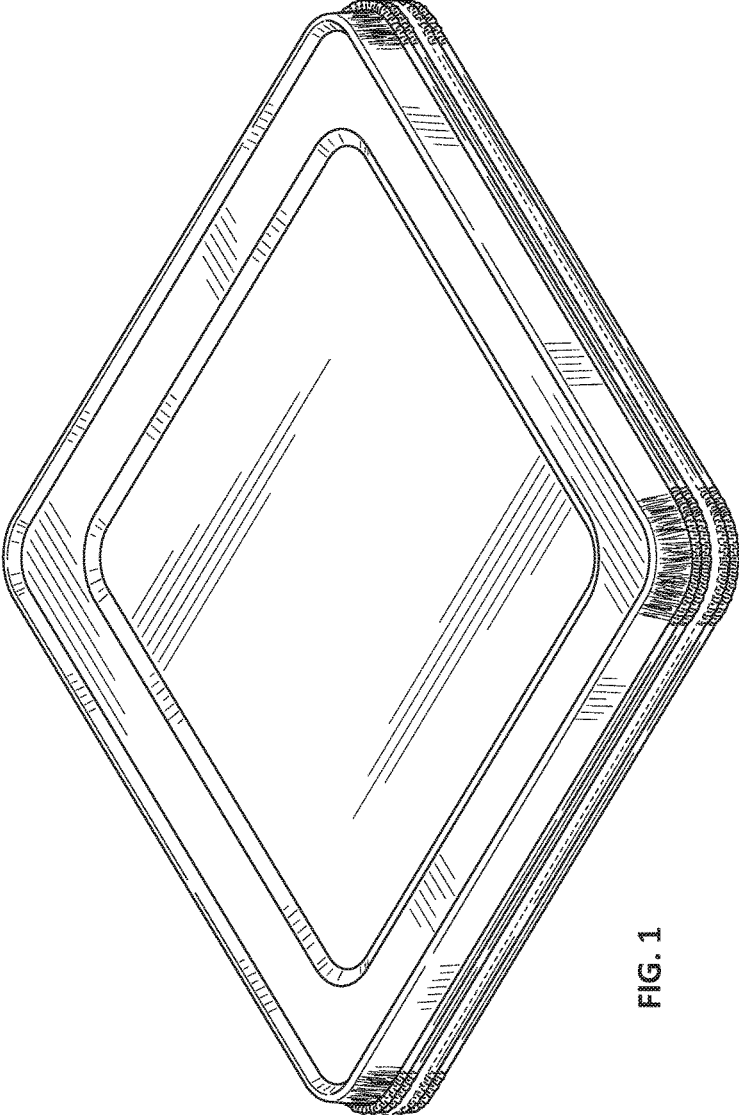


FIG. 1

FIG. 2

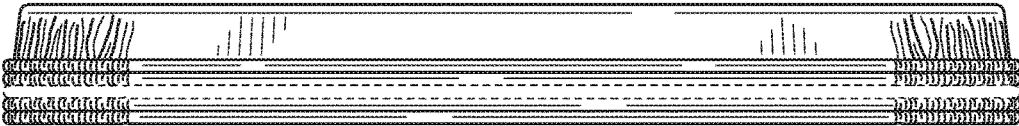


FIG. 3

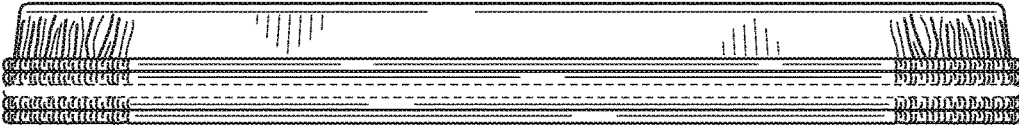


FIG. 4

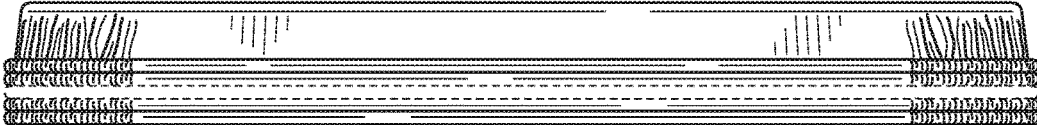


FIG. 5



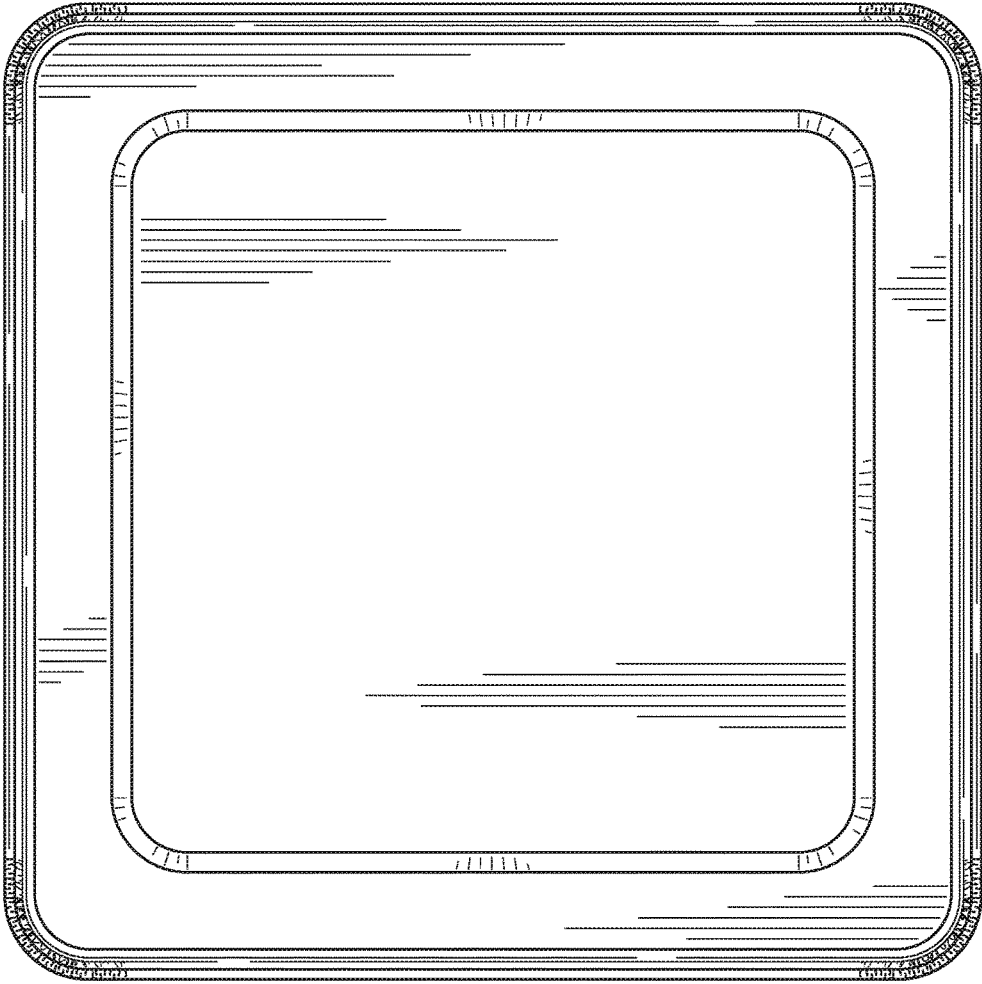


FIG. 6

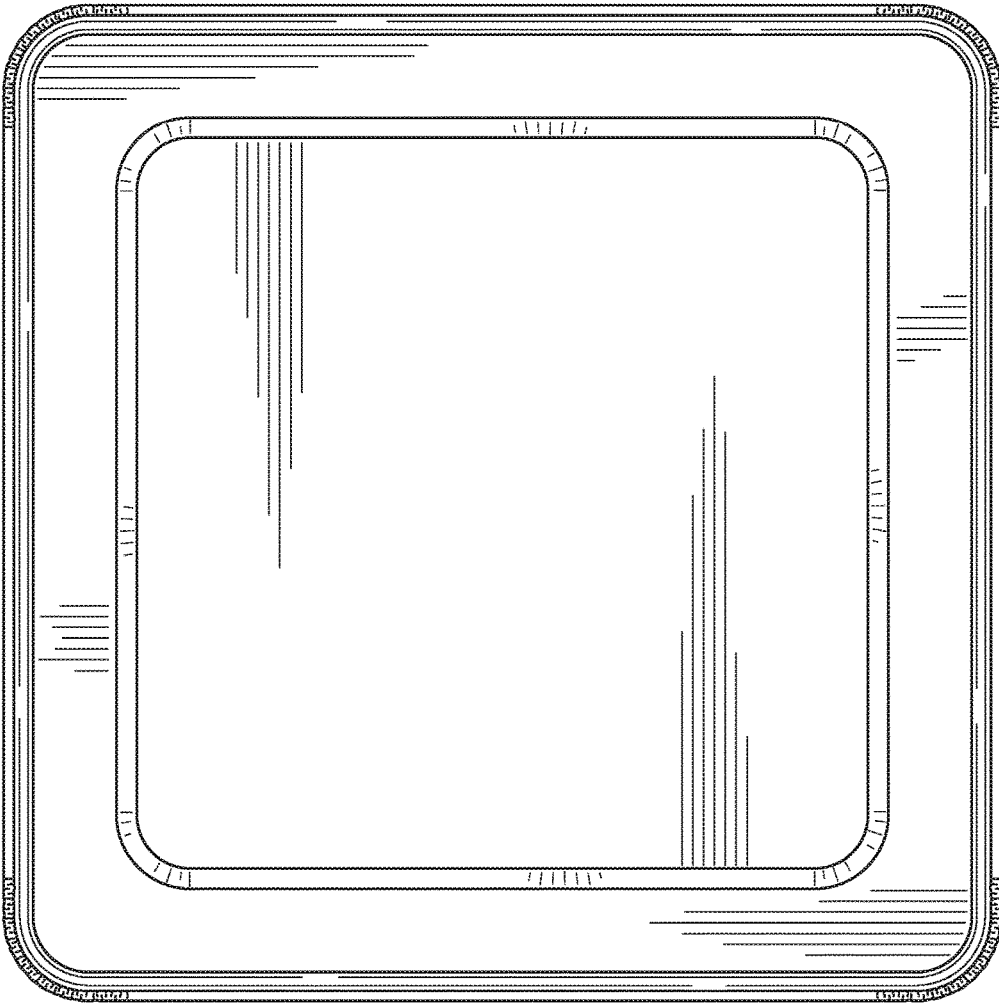


FIG. 7

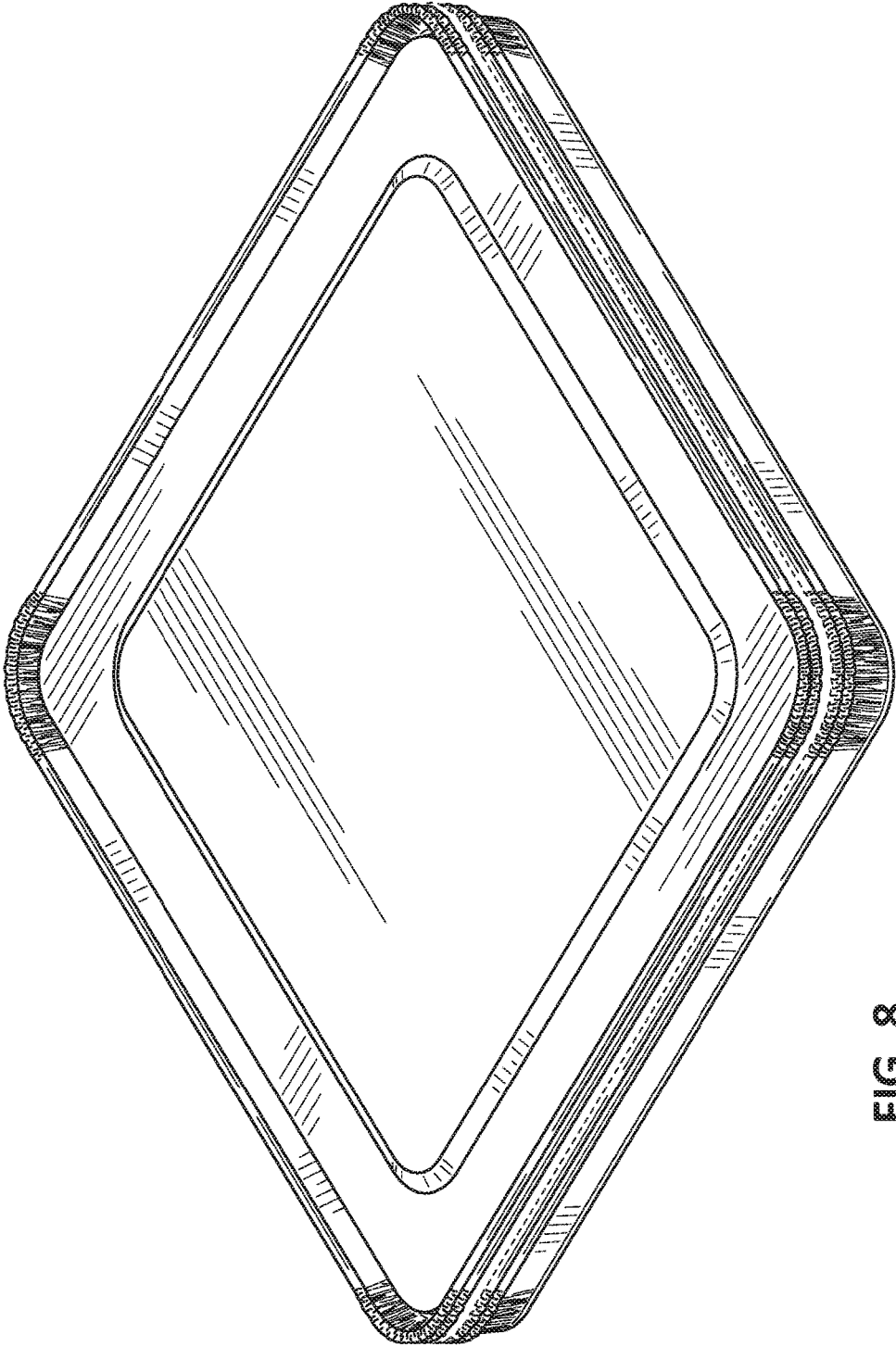


FIG. 8