



US00D828704S

(12) **United States Design Patent**  
**Sakakibara**

(10) **Patent No.:** **US D828,704 S**

(45) **Date of Patent:** **\*\* Sep. 18, 2018**

- (54) **DESK WITH MONITOR STAND**
- (71) Applicant: **Okamura Corporation**, Yokohama-shi, Kanagawa (JP)
- (72) Inventor: **Yoshihiro Sakakibara**, Yokohama (JP)
- (73) Assignee: **Okamura Corporation**, Yokohama-shi, Kanagawa (JP)
- (\*\*) Term: **15 Years**
- (21) Appl. No.: **29/599,362**
- (22) Filed: **Apr. 3, 2017**

4,604,955	A *	8/1986	Fleischer	.....	A47B 9/04
					108/106
D311,833	S *	11/1990	Newhouse	.....	D6/656.16
D313,327	S *	1/1991	Prevedello	.....	D6/691.5
D392,476	S *	3/1998	Mitchell	.....	D6/643
D399,682	S *	10/1998	Lepper	.....	D6/656.17
D399,683	S *	10/1998	Nicklas	.....	D6/656.16
D410,806	S *	6/1999	Olson	.....	D6/656.16
6,119,605	A *	9/2000	Agee	.....	A47B 9/02
					108/147
D463,165	S *	9/2002	Ekblad	.....	D6/656.17
D508,343	S *	8/2005	Pflaster	.....	D6/653.14
D512,587	S *	12/2005	Frenkler	.....	D6/691.5
D547,097	S *	7/2007	Bastian	.....	D6/707
D560,085	S *	1/2008	Glass	.....	D6/656.17
D573,388	S *	7/2008	Auciello	.....	D6/570

(Continued)

- (30) **Foreign Application Priority Data**
- Oct. 3, 2016 (JP) ..... 2016-021528
- (51) **LOC (11) Cl.** ..... **06-03**
- (52) **U.S. Cl.**
- USPC ..... **D6/642**
- (58) **Field of Classification Search**
- USPC ..... D6/641, 642, 643, 644, 652.2, 653, D6/653.14, 656, 656.1, 656.15, 656.14, D6/657, 672, 685, 686, 691, 691.1, 691.2, D6/691.5, 691.6, 691.8, 692.2, 692.3, D6/698, 656.16, 656.17; D14/305, 307, D14/373, 448
- CPC ..... A47B 7/00; A47B 13/08; A47B 13/10; A47B 21/00; A47B 2009/006; A47B 11/00; A47B 2200/002; A47B 2200/0051; A47B 2200/0052; A47B 2200/0053; A47B 2200/0054; A47B 2200/0055; A47B 21/02
- See application file for complete search history.

*Primary Examiner* — Mary Ann Calabrese  
*Assistant Examiner* — Sloan Rozin  
 (74) *Attorney, Agent, or Firm* — Banner & Witcoff, Ltd.

(57) **CLAIM**

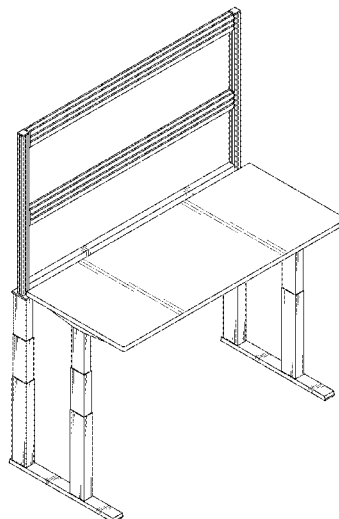
The ornamental design for a desk with monitor stand, as shown and described.

**DESCRIPTION**

FIG. 1 is a perspective view of a desk with monitor stand showing my new design;  
 FIG. 2 is a front view thereof;  
 FIG. 3 is a rear view thereof;  
 FIG. 4 is a right side view thereof, the left side view thereof being a mirror image;  
 FIG. 5 is a top view thereof;  
 FIG. 6 is a bottom view thereof;  
 FIG. 7 is a perspective view thereof shown in an alternate position of use; and,  
 FIG. 8 is a perspective view shown in a manner of use.  
 The broken line showing of the monitors in FIG. 8 is for the purpose of illustrating environment and forms no part of the claimed design.

**1 Claim, 7 Drawing Sheets**

- (56) **References Cited**
- U.S. PATENT DOCUMENTS
- 1,992,903 A \* 2/1935 Potashnik ..... A47B 83/02  
108/161
- D167,145 S \* 7/1952 Harmon ..... D6/656.11



(56)

**References Cited**

U.S. PATENT DOCUMENTS

D603,627	S *	11/2009	Wen	.....	D6/656.16
RE42,666	E *	9/2011	Saotome	.....	D6/656.17
D725,945	S *	4/2015	Delmedico	.....	D6/656.19
9,232,855	B2 *	1/2016	Ergun	.....	A47B 9/02
9,332,836	B1 *	5/2016	Zebarjad	.....	A47B 9/02
D771,983	S *	11/2016	Herring	.....	D6/656.16
9,532,647	B2 *	1/2017	Bedard	.....	A47B 83/04
D786,594	S *	5/2017	Yamamoto	.....	D6/702
D788,494	S *	6/2017	Yamamoto	.....	D6/642
D794,358	S *	8/2017	Yamamoto	.....	D6/656
D794,359	S *	8/2017	Yamamoto	.....	D6/656
D795,619	S *	8/2017	Labrosse	.....	D6/709
9,723,920	B1 *	8/2017	Wu	.....	A47B 21/02

\* cited by examiner

FIG. 1

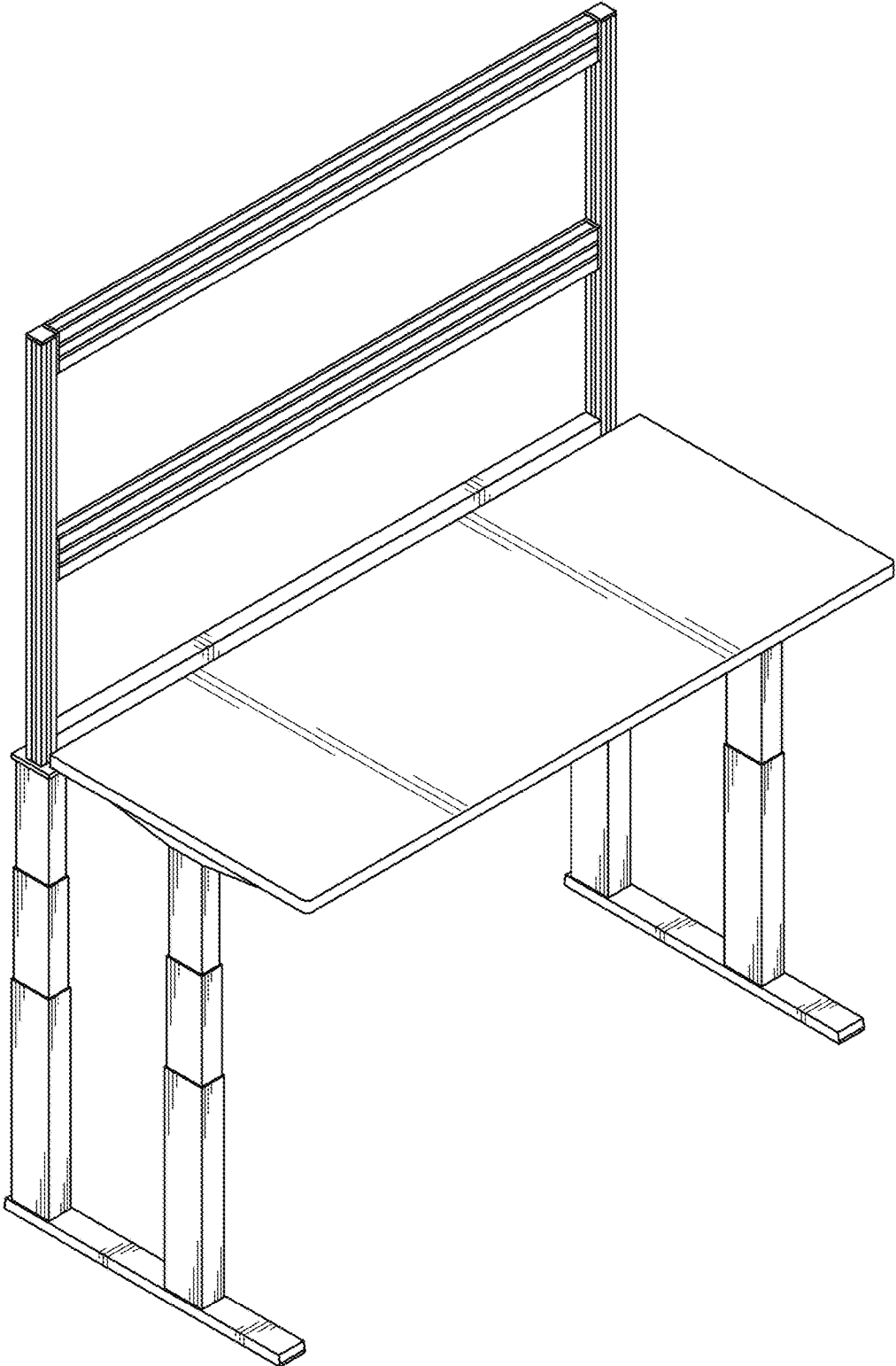


FIG. 2

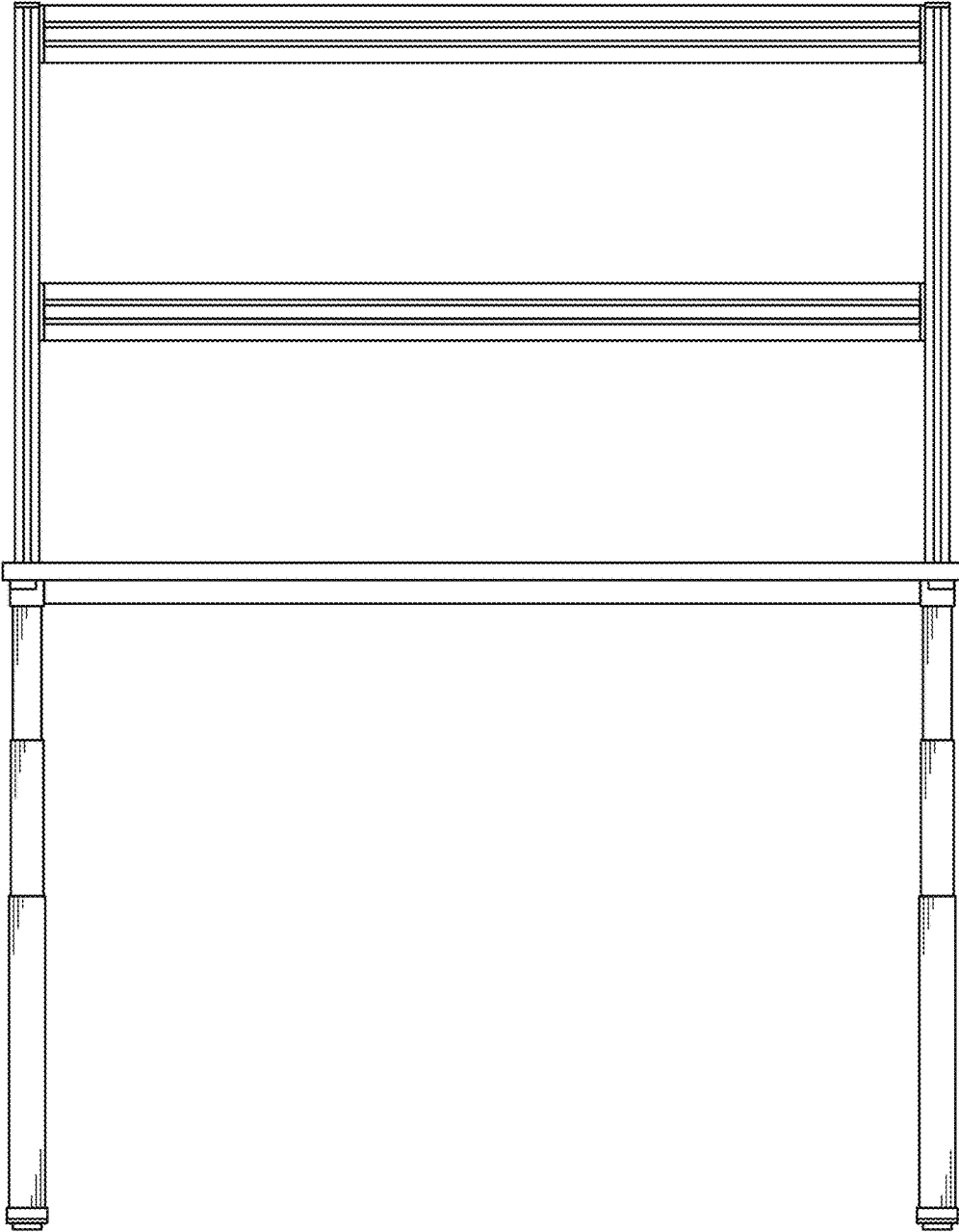


FIG. 3

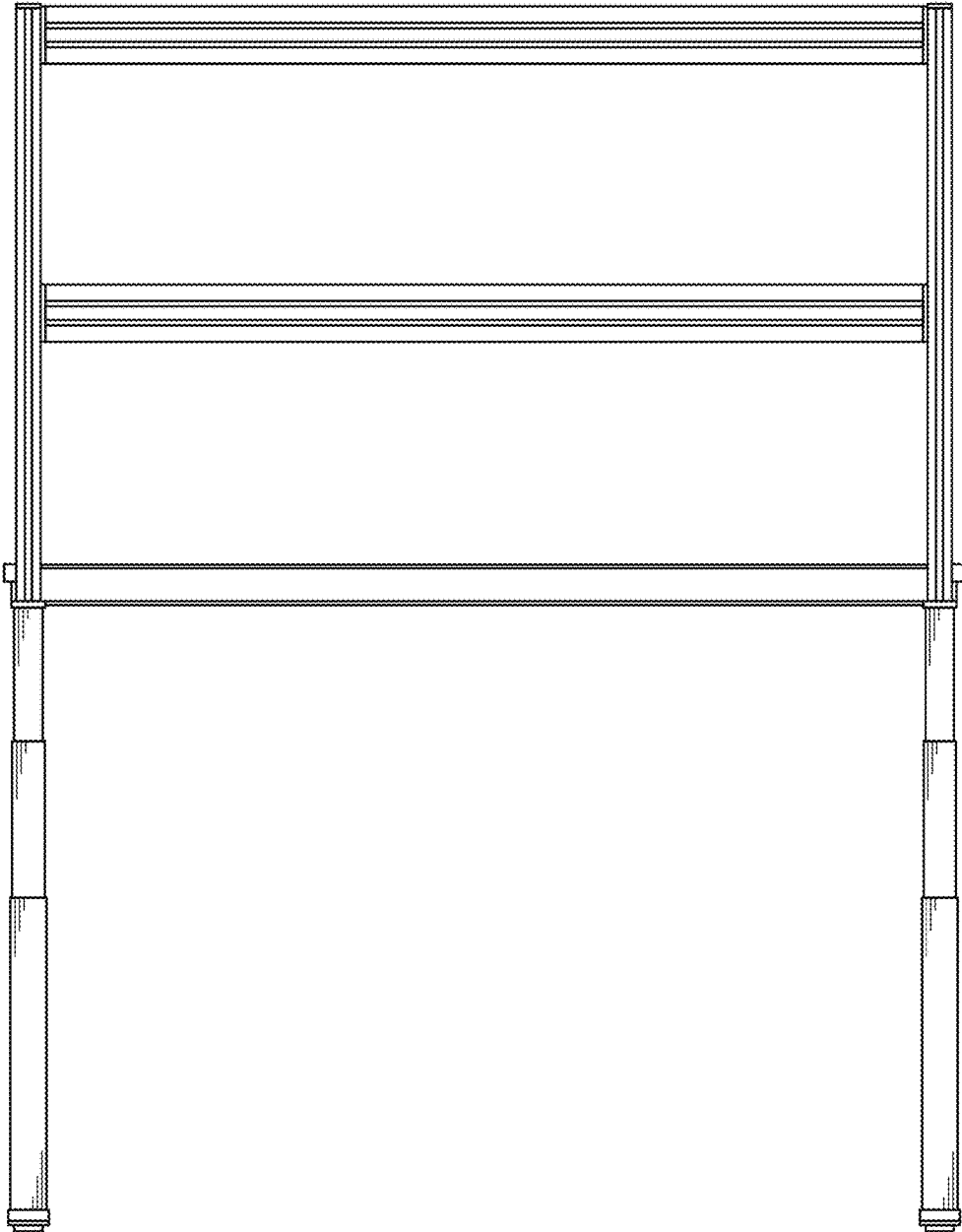
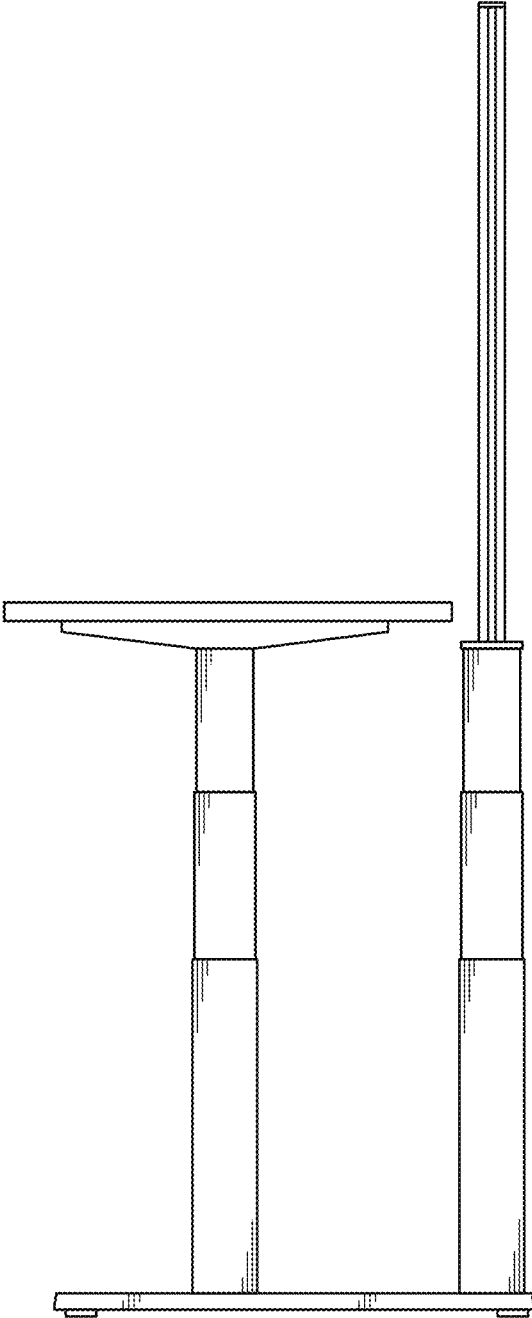
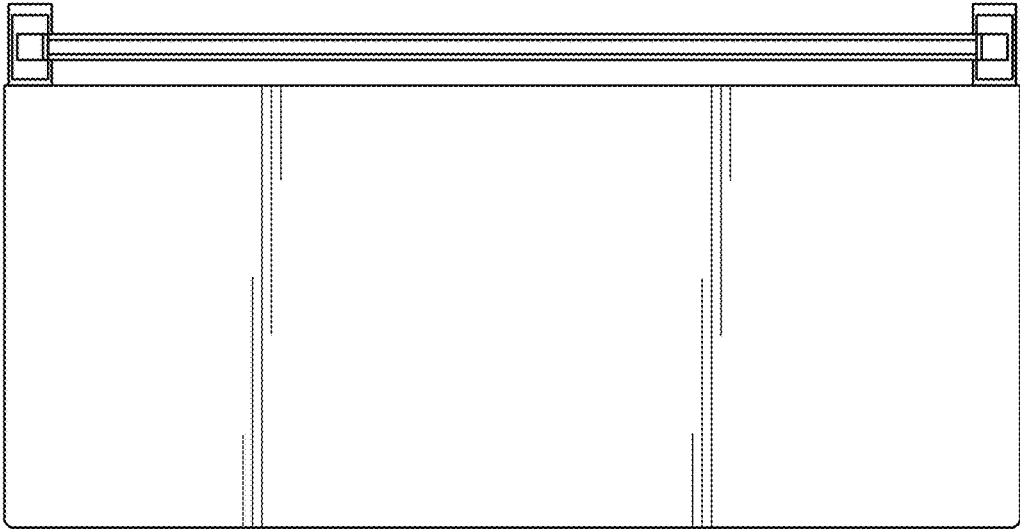


FIG. 4



**FIG. 5**



**FIG. 6**

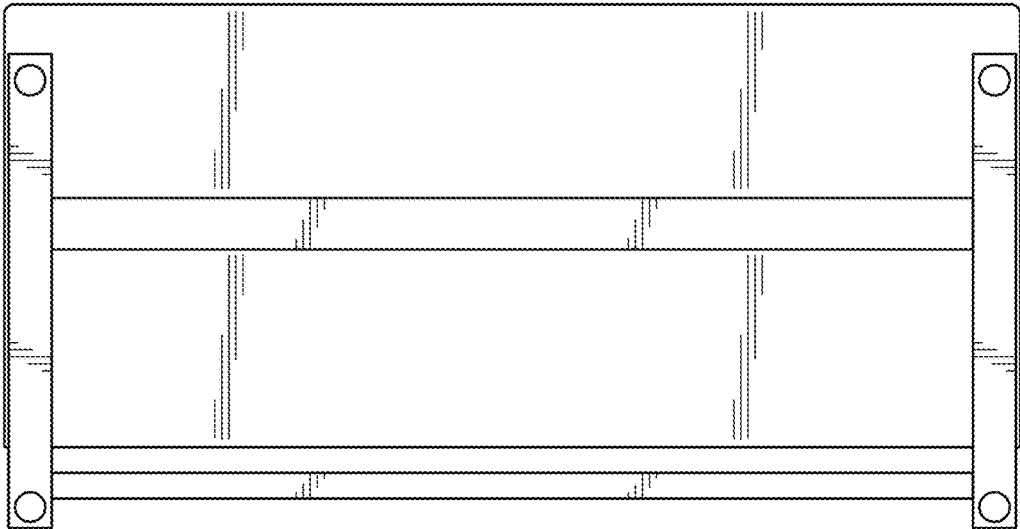


FIG. 7

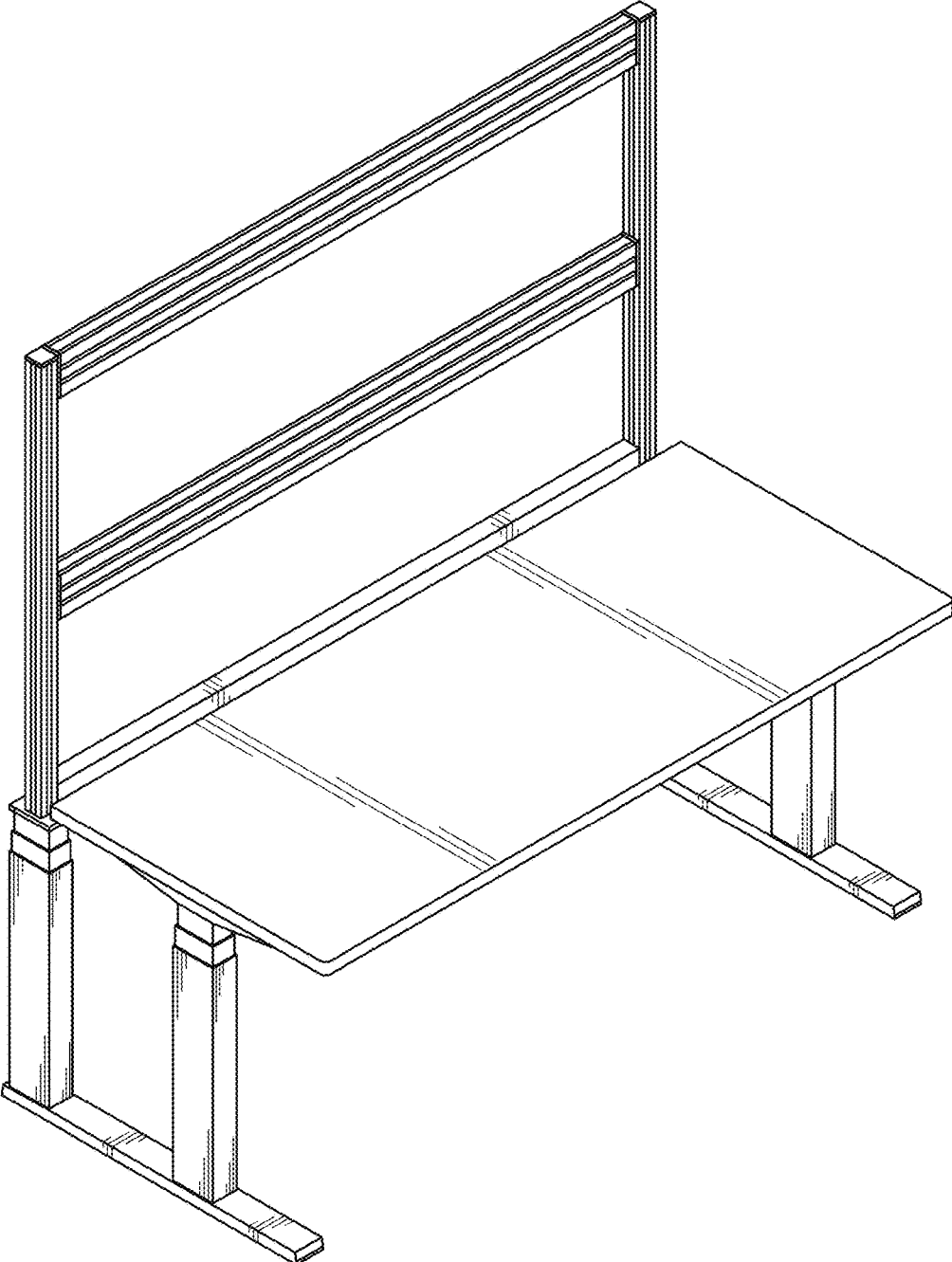




FIG. 8

