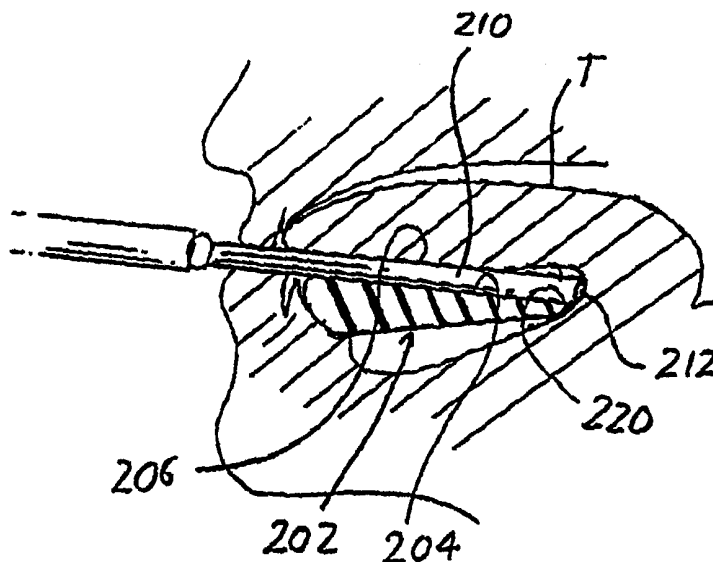




INTERNATIONAL APPLICATION PUBLISHED UNDER THE PATENT COOPERATION TREATY (PCT)

(51) International Patent Classification ⁷ : A61B 5/00	A1	(11) International Publication Number: WO 00/59372 (43) International Publication Date: 12 October 2000 (12.10.00)
<p>(21) International Application Number: PCT/US00/08683</p> <p>(22) International Filing Date: 30 March 2000 (30.03.00)</p> <p>(30) Priority Data: 09/285,409 2 April 1999 (02.04.99) US</p> <p>(71) Applicants: INSTITUTE OF CRITICAL CARE MEDICINE [US/US]; 1695 North Sunrise Way, Palm Springs, CA 92262 (US). OPTICAL SENSORS INCORPORATED [US/US]; Suite A, 7615 Golden Triangle Drive, Minneapolis, MN 55344 (US).</p> <p>(72) Inventors: KIMBALL, Victor, E.; 1400 Rushmore Crescent, Burnsville, MN 55337 (US). WEIL, Max, Harry; 3810 S. Mission Hills Road #303, Northbrook, IL 60062 (US). TANG, Wanchun; 40456 Periwinkle Court, Palm Desert, CA 92260 (US). BISERA, Jose; 1534 Apacapa Drive, Camarillo, CA 93010 (US).</p> <p>(74) Agents: REED, Dianne, E. et al.; Reed & Associates, 3282 Alpine Road, Portola Valley, CA 94028 (US).</p>	<p>(81) Designated States: AE, AL, AM, AT, AU, AZ, BA, BB, BG, BR, BY, CA, CH, CN, CR, CU, CZ, DE, DK, DM, EE, ES, FI, GB, GD, GE, GH, GM, HR, HU, ID, IL, IN, IS, JP, KE, KG, KP, KR, KZ, LC, LK, LR, LS, LT, LU, LV, MA, MD, MG, MK, MN, MW, MX, NO, NZ, PL, PT, RO, RU, SD, SE, SG, SI, SK, SL, TJ, TM, TR, TT, TZ, UA, UG, UZ, VN, YU, ZA, ZW, ARIPO patent (GH, GM, KE, LS, MW, SD, SL, SZ, TZ, UG, ZW), Eurasian patent (AM, AZ, BY, KG, KZ, MD, RU, TJ, TM), European patent (AT, BE, CH, CY, DE, DK, ES, FI, FR, GB, GR, IE, IT, LU, MC, NL, PT, SE), OAPI patent (BF, BJ, CF, CG, CI, CM, GA, GN, GW, ML, MR, NE, SN, TD, TG).</p> <p>Published <i>With international search report.</i> <i>Before the expiration of the time limit for amending the claims and to be republished in the event of the receipt of amendments.</i></p>	

(54) Title: ASSESSING PERFUSION FAILURE BY MEASURING BLOOD FLOW



(57) Abstract

Methods, and devices are provided for assessing impairment of blood circulation in a patient, such as that in perfusion failure, by measurement of blood flow in the gastro-intestinal tract or upper respiratory/digestive tract of the patient. The method comprises introducing a blood - flow sensor (212) into the gastrointestinal tract or the upper respiratory/digestive tract of a patient, placing the sensor (212) adjacent a mucosal surface therein, and measuring blood flow in adjacent tissue to determine blood flow in that tissue. The method may also involve the measurement of PCO₂ and/or pH in combination with the blood flow determination. This invention affords rapid measurement, and detection of perfusion failure.

FOR THE PURPOSES OF INFORMATION ONLY

Codes used to identify States party to the PCT on the front pages of pamphlets publishing international applications under the PCT.

AL	Albania	ES	Spain	LS	Lesotho	SI	Slovenia
AM	Armenia	FI	Finland	LT	Lithuania	SK	Slovakia
AT	Austria	FR	France	LU	Luxembourg	SN	Senegal
AU	Australia	GA	Gabon	LV	Latvia	SZ	Swaziland
AZ	Azerbaijan	GB	United Kingdom	MC	Monaco	TD	Chad
BA	Bosnia and Herzegovina	GE	Georgia	MD	Republic of Moldova	TG	Togo
BB	Barbados	GH	Ghana	MG	Madagascar	TJ	Tajikistan
BE	Belgium	GN	Guinea	MK	The former Yugoslav Republic of Macedonia	TM	Turkmenistan
BF	Burkina Faso	GR	Greece			TR	Turkey
BG	Bulgaria	HU	Hungary	ML	Mali	TT	Trinidad and Tobago
BJ	Benin	IE	Ireland	MN	Mongolia	UA	Ukraine
BR	Brazil	IL	Israel	MR	Mauritania	UG	Uganda
BY	Belarus	IS	Iceland	MW	Malawi	US	United States of America
CA	Canada	IT	Italy	MX	Mexico	UZ	Uzbekistan
CF	Central African Republic	JP	Japan	NE	Niger	VN	Viet Nam
CG	Congo	KE	Kenya	NL	Netherlands	YU	Yugoslavia
CH	Switzerland	KG	Kyrgyzstan	NO	Norway	ZW	Zimbabwe
CI	Côte d'Ivoire	KP	Democratic People's Republic of Korea	NZ	New Zealand		
CM	Cameroon			PL	Poland		
CN	China	KR	Republic of Korea	PT	Portugal		
CU	Cuba	KZ	Kazakstan	RO	Romania		
CZ	Czech Republic	LC	Saint Lucia	RU	Russian Federation		
DE	Germany	LI	Liechtenstein	SD	Sudan		
DK	Denmark	LK	Sri Lanka	SE	Sweden		
EE	Estonia	LR	Liberia	SG	Singapore		

ASSESSING PERFUSION FAILURE BY MEASURING BLOOD FLOW

5

TECHNICAL FIELD

The present invention relates generally to methods and devices for assessing perfusion failure in a patient. More particularly, the invention relates to assessment of perfusion failure in a patient by measuring blood flow in a mucosal tissue in the body of a patient.

10

BACKGROUND ART

Very low blood flow, or low "systemic perfusion," is typically due to low aortic pressure and can be caused by a number of factors, including hemorrhage, sepsis and cardiac arrest. The body responds to such stress by reducing blood flow to the gastrointestinal tract to spare blood for other, more critical organs. Thus, when there is a reduced flow of blood from the heart, the body directs a higher portion of blood to critical organs, such as the brain, which will not survive long without a continuous supply of blood, while restricting the flow to less critical organs, whose survival is not as threatened by a temporary large reduction in blood flow. For example, blood flow to the splanchnic vasculature which supplies the stomach and intestines, and also the esophagus and oral/nasal cavity, is drastically reduced when there is a reduced blood flow from the heart. For this reason, decreased blood flow to the splanchnic blood vessels is thus an indication of perfusion failure in a patient. Physicians commonly take advantage of this phenomenon by taking CO₂ and pH measurements in the stomach and intestine to assess perfusion failure.

25

Assessment of CO₂ concentration in the less critical organs, i.e., those organs to which blood flow is reduced during perfusion failure, has been useful in perfusion assessment. Carbon dioxide production, which is associated with metabolism, continues in tissues even during conditions of low blood flow. The concentration of CO₂ builds-up in tissues experiencing low blood flow because CO₂ is not rapidly carried away. This CO₂ build-up (an increase in partial pressure of CO₂ (PCO₂)) in the less critical organs in turn

30

results in a decrease in pH in nearby tissue. Therefore, perfusion failure is commonly assessed by measuring pH or PCO₂ at these sites, especially in the stomach and intestines. For examples of catheters used to assess pH or PCO₂ in the stomach or intestines, see, *e.g.*, U.S. Patent Nos. 3,905,889; 4,016,863; 4,632,119; 4,643,192; 4,981,470; 5,105,812; 5,117,827; 5,174,290; 5,341,803; 5,411,022; 5,423,320; 5,456,251; and 5,788,631.

It has now been found that increases in PCO₂ may be measured throughout the body, including in accessible organs and tissues fed by splanchnic vessels, and used to assess perfusion failure. For example, a useful measurement of perfusion failure can be obtained by measuring CO₂ in the upper respiratory/digestive tract. In U.S. Patent No. 5,579,763, a method is described that can be used to accurately assess perfusion failure by measuring PCO₂ in the patient's esophagus, rather than in the less accessible stomach and/or intestine as previously practiced in the art. Tests showed that measurements of PCO₂ in the esophagus are closely correlated with aortic pressure, and, furthermore, that measurements made in the esophagus are even more closely correlated to aortic pressure than measurements of CO₂ in the stomach. More recently, in international patent Publication No. WO 99/16346, the inventors further showed that PCO₂ measurements in a patient's mucosal tissues (*e.g.*, mouth, nasal mucosa, and throat) are also closely correlated to aortic pressure. As disclosed in PCT Publication No. WO 99/16346, the CO₂ sensor may be placed at a site within the oral-nasal cavity (*e.g.*, under the tongue at a site in contact with the tongue or the floor of the mouth) where it effectively measures CO₂ in the tissue. Since carbon dioxide can readily pass through mucosal surfaces, CO₂ generated by metabolic activity occurring in tissue below the mucosal surface that is not carried away by blood flow readily migrates through the mucosal surface, where its build-up provides a good measure of perfusion failure. Placement of a CO₂ sensor adjacent a mucosal surface of the upper respiratory/digestive tract thus provides a very good quantification of perfusion failure at all times, including the most critical minutes after the onset of perfusion failure when treatment is likely to be most effective. Thus, mucosal measurements of tissue perfusion can be used to assess perfusion failure in patients.

However, PCO₂ and pH are indirect measures of blood flow in tissue, being based upon the build-up of metabolites that result from poor perfusion. In addition, measurements of pH may be complicated by the presence of saliva, food, or stomach acids.

CO₂ measurements may be affected by ambient CO₂, and, since they depend on equilibration with tissue CO₂ levels, are slow. Thus, there is a need for a more direct method for measuring blood flow in a tissue, to more accurately assess perfusion failure and to monitor the effectiveness of methods taken to increase perfusion, *e.g.*, blood infusion or the like.

5

DISCLOSURE OF THE INVENTION

Methods and devices are provided for assessing impairment of circulatory function in a patient, such as that in perfusion failure, by measurement of blood flow in the GI tract and/or upper respiratory/digestive tract of a patient. The perfusion of a tissue is a function of both the velocity of blood cells flowing through tissue, and of the number of blood cells, so that the blood flow through tissue is a more direct measurement of tissue perfusion than pH or CO₂ measurements. Previously, the belief in the art was that decreased blood flow was a localized phenomenon during perfusion failure. It has now been discovered that decreased blood flow, decreased pH and increases in tissue CO₂ occur throughout the body during perfusion failure, and in particular occur not only in the stomach, jejunum, colon and rectum, but also in the esophagus, throat, mouth and nose. Thus, new and useful methods and devices are now provided, for assessing perfusion failure and perfusion levels in a patient by measuring blood flow in tissues of the GI tract and/or of the upper respiratory/digestive tract of a patient.

In one embodiment, then, a method is provided for assessing impairment of circulatory function, such as that in perfusion failure, in a patient. The method comprises introducing a blood-flow sensor into the GI tract or into the upper respiratory/digestive tract of a patient, measuring blood flow in the tissue adjacent the sensor, and providing that measurement for assessment of perfusion failure. Specifically, a blood-flow sensor is placed adjacent a mucosal surface within a patient's body, preferably without passing the sensor down through or beyond the patient's epiglottis, most preferably within the oral or a nasal cavity of the patient. The blood-flow sensor is preferably introduced sublingually, and preferably to one side of the frenulum. The invasiveness of such a technique is minimal, being substantially no more than in the use of an oral thermometer. Preferably, the sensor is a laser-Doppler sensor. The output of the sensor can be detected by a device which electronically converts the sensor output to provide the blood flow in a form that is easily

understood by persons viewing the display. The device can optionally further sense the rate of change of blood flow with time to indicate the patient's condition.

Accordingly, in another embodiment the invention features a device for assessing perfusion failure in a patient, where the device is composed of a laser-Doppler blood-flow sensor means for measuring blood flow in a tissue, the sensor means being adapted for lying adjacent a mucosal surface in a patient's body, *e.g.* in the upper respiratory/digestive tract of a patient, and measuring blood flow in vessels in the mucosal tissue; and an indicating means connected to the sensor means, wherein the indicating means indicates a degree of perfusion failure of the patient associated with the detected blood flow. The device may also include a positioning means for positioning the sensor means adjacent the mucosal surface. In a preferred embodiment, the "positioning means" is a holder designed to fit within the mouth of the patient and hold the sensor in place adjacent the mucosal surface. For example, the holder may be designed to position the sensor adjacent the tongue of a patient, or to position the sensor between the inside of a lip and gum of the patient. Alternatively, the positioning means may be a holder designed to fit within a nares of the patient and hold the sensor in place adjacent the mucosal surface.

In a further embodiment the invention features a device for use with a blood-flow sensor assembly for assessing perfusion failure of a patient. The device is composed of a sensor holder with a sublingual holder inner portion shaped to fit in the mouth of a patient under the patient's tongue, said holder forming at least one holder passage optionally extending from said holder outer portion to said sublingual holder portion.

In a further embodiment the invention comprises measuring blood flow with a blood-flow sensor and additionally making an indirect measurement of blood flow by making, *e.g.*, a CO₂ measurement or a pH measurement, or by making all three such kinds of measurements.

One advantage of the invention is that perfusion can be rapidly assessed in a patient, with measurements being made in just a few seconds.

Another advantage of the invention is that perfusion can be assessed in a patient in a minimally invasive manner, and with minimal discomfort or risk of harm to the patient.

Another advantage of the invention is that perfusion can be assessed in a patient without interference in the measurement by ambient levels of CO₂ and without substantial drift of the measurement when used in a continuous monitoring application.

Another advantage of the invention is that perfusion can be assessed in a patient
5 without interference with the measurement by the pH of fluids or food near the sensor.

Another advantage of the invention is that perfusion can be readily assessed in a patient suffering from perfusion failure associated with any of a variety of causes, including, but not limited to physical trauma, infection, hypothermia, cardiogenic shock (*e.g.*, acute myocardial infarction, aneurysm, or arrhythmia), obstructive shock (*e.g.*, pulmonary
10 embolism), hypovolemic shock (*e.g.*, due to hemorrhage or fluid depletion), and distributive shock (*e.g.*, due to sepsis, exposure to toxins, or anaphylaxis). The sensitivity of the methods and devices of the invention further allow for assessment of perfusion across a wide range of perfusion failure severity, thereby providing a means to accurately monitor the patient's condition.

15 Still another advantage of the invention is that the devices and methods can be readily adapted for use in alert, semi-conscious, or unconscious patients, and can be further adapted for accurate assessment of perfusion in a patient for a period lasting for only seconds to minutes to hours or days.

The novel features of the invention are set forth with particularity in the appended
20 claims. The invention will be best understood from the following description when read in conjunction with the accompanying drawings.

BRIEF DESCRIPTION OF THE DRAWINGS

25 Fig. 1 is a graph showing variation in blood flow in various tissues with time, during an experiment on rats where blood was withdrawn to simulate hemorrhage and so induce perfusion failure, and during reinfusion of blood to allow recovery.

Fig. 2 is a partial sectional view showing a sensor of the present invention in place in one of many acceptable positions within the GI tract of a patient.

30 Fig. 3 is an isometric view showing a sensor of the present invention as it is introduced into the mouth of a patient, for sublingual placement.

Fig. 4 is a sectional view of a sensor assembly and holder constructed in accordance with an embodiment of the invention, shown lying in a patient's mouth.

Fig. 5 is an isometric view of the holder of Fig 4.

Fig. 6 is a sectional view of a sensor assembly and holder of another embodiment of the invention, shown holding a sensor between a lip and teeth of a patient.

Fig. 7 is a front isometric view of the holder of Fig. 6.

Fig. 8 is a sectional view of a sensor assembly and holder of another embodiment of the invention, shown holding a sensor in the nose of a patient.

10 MODES FOR CARRYING OUT THE INVENTION

Definitions and nomenclature:

Before the present devices, apparatus and methods are disclosed and described, it is to be understood that this invention is not limited to sensor designs, measurement techniques, or the like, as such may vary. It is also to be understood that the terminology used herein is for the purpose of describing particular embodiments only and is not intended to be limiting.

It must be noted that, as used in the specification and the appended claims, the singular forms "a," "an" and "the" include plural referents unless the context clearly dictates otherwise.

20 The term "perfusion failure" as used herein is meant a reduction in blood flow associated with maldistribution of blood through the circulatory system and a reduction in blood flow to a less critical tissue(s) and/or organ(s) relative to blood flow in vital (critical) tissues and organs (*e.g.*, the brain and heart). In general, "perfusion failure" is meant to encompass reduction in blood flow associated with a decrease in blood flow significantly or

25 substantially below that associated with normal perfusion.

The term "measurement" as used herein refers to a single measurement or a series of measurements made over time, and which may be taken continuously or intermittently (*e.g.*, at selected time intervals).

30 The term "mucosal surface" as used herein refers to a surface of a mucous membrane containing or associated with mucus secreting glands, and which lines body passages, tubular structures, and organs and encompasses, for example, the nasal passages,

the oral passage, the nasopharynx, the throat, the esophagus, the stomach, the jejunum, the colon, and the rectum.

The terms "gastrointestinal tract" and "GI tract" as used herein encompass the entire tract from esophagus to rectum, including, *e.g.*, the esophagus, the stomach, the jejunum, the colon, and the rectum.

The term "upper respiratory/digestive tract" as used herein means the region of the upper respiratory tract and digestive tract above the stomach. In general, the "upper respiratory/digestive tract" encompasses the nasal passages (including the nares and nasal cavities), the oral passage (including the mouth and spaces within the mouth such as the floor (*e.g.*, sublingual area) and roof of the mouth (*e.g.*, hard palate), the soft palate, the regions between the lips and gums, and the cheeks and gums), the nasopharynx, the throat and esophagus.

The term "oral-nasal cavity" as used herein means the region of the upper respiratory/digestive tract encompassing the nasal passages (including the nares and nasal cavities), the oral passage (including the mouth and spaces within the mouth such as the floor (*e.g.*, sublingual area) and roof of the mouth (*e.g.*, hard palate), the soft palate, the regions between the lips and gums, and the cheeks and gums), and the nasopharynx and the throat extending to the top surface of and in the region of the epiglottis.

The term "sublingual" as used herein refers to a region below or beneath the tongue.

The term "adjacent" as used herein (*e.g.*, "adjacent the mucosal surface") means near or against, *e.g.*, at a distance from the mucosal surface that allows acceptably accurate measurement of blood flow by blood-flow sensor.

The term "patient" as used herein means a mammalian subject, preferably a human subject, that has, is suspected of having, or is or may be susceptible to a condition associated with low blood flow, and thus perfusion failure.

The present invention is based on the inventors' discovery that blood flow decreases throughout the body during perfusion failure, rather than as only a localized phenomenon as previously believed in the art. Evidence for this is seen, *e.g.*, in that tissue CO₂ increases in esophagus and sublingual tissue during perfusion failure, as disclosed by the inventors in Publication No. WO 99/16346, cited previously. Further evidence of this is

shown in Fig. 1 where blood flow in various tissues of experimental animals was measured by the deposition of small beads measured at autopsy. The methods and devices of the invention measure blood flow in tissue at a convenient site within the GI tract or within the upper respiratory/digestive tract, and are thus performed in a minimally invasive manner. In general, these measurements are made by placing a blood-flow sensor such as a laser-Doppler sensor or an ultrasound Doppler adjacent a mucosal surface at a selected site within the upper respiratory/digestive tract and using the sensor to measure blood flow at the selected site. Such measurements may also be made using imaging techniques such as MRI, optical imaging, angiography techniques and other methods as would be known to those skilled in the art.

As blood flows through tissue, the blood cells and the fluid blood plasma move at similar rates. Light, as may be provided by a laser-Doppler blood-flow device, and ultrasound, as may be provided by an ultrasound-Doppler blood-flow device, can pass through tissue to illuminate or impinge upon blood cells moving through tissue of interest. When light or ultrasound reflects off moving blood cells its frequency is shifted in a velocity-dependent manner, a phenomenon known as the "Doppler shift." This phenomenon can be used to measure the velocity of blood cells flowing through the tissue so illuminated or so subject to ultrasound. In addition, a laser-Doppler device or ultrasound-Doppler device may be used to measure the ratio of moving blood cells to the non-moving cells located in the measurement volume of the sensor. The measurement volume of tissue in which this measurement is made may be calculated using scattering theory and the geometry of the illuminating and collecting sites, or may be measured using standard calibration techniques; either of which is routinely done with laser-Doppler devices. The total blood flow may be calculated from these three parameters: 1) the number of cells within the measurement volume, 2) the velocity of the moving cells, and 3) the measurement volume.

Methods and techniques for using laser-Doppler techniques and devices to measure blood flow are known in the art, and may be found in such references as, *e.g.*, U.S. Patent No. 3,511,227 to Johnson, U.S. Patent No. 4,596,254 to Adrian et al., and U.S. Patent No. 4,590,948 to Nilsson. Methods and techniques for using ultrasound-Doppler techniques and devices to measure blood flow are also known in the art, and may be found

in such references as U.S. Patent No. 4,324,258 to Huebscher et al. and U.S. Patent No. 4,759,374 to Kierney et al.

Thus, laser-Doppler, ultrasound-Doppler, and other blood-flow measurement devices can be used to provide direct measures of blood flow in tissues. The present invention provides novel methods using such measurements to detect and quantify blood flow in tissues susceptible to low blood flow effective to detect perfusion failure in a patient.

In order to assess perfusion failure in a patient, one first determines the expected range of blood-flow measurements for subjects of similar age and health status as the patient. Normal levels of blood flow may vary with the age of the subject. Health status may also be an important variable, since, for example, blood flow in a diabetic subject may differ from that of a subject not suffering from diabetes. Next, the blood flow in a mucosal tissue of the patient is determined. The blood-flow value is compared with the expected value for a normal subject determined in the first step; patient blood-flow values that are significantly lower than the normal values indicate perfusion failure. In addition, the rate-of-change of the patient's blood flow is measured over time with the blood-flow sensor. Rising values of blood flow indicate recovery, while declining values of blood flow indicate a worsening of the patient's condition.

The correlation of perfusion failure with decreased blood flow in several bodily tissues, including sublingual blood flow in particular, as well as the correlation of perfusion recovery and a corresponding increase in sublingual blood flow as blood volume recovers, was tested in an animal model that simulates a sudden loss or shedding of blood, such as might be caused by a gunshot wound or other severe wound. Perfusion recovery was simulated by subsequently reperfusing the animals with a blood infusion. Blood flow in the several tissues was assessed by counting (at autopsy) the numbers of colored microspheres deposited in various tissues under the indicated conditions, as described in Hale et al. *Circulation* 78:428-434 (1988). The results are shown in Fig. 1. Blood flow in a tissue as a percentage of baseline (control) blood flow is plotted as a function of time during hemorrhage (induced blood-loss) and reinfusion of blood in an experimental animal. At the beginning of the test (BL), just prior to the time-point labeled "0," considerable blood was drawn from an animal that was previously in good health, the blood being drawn within a

period of a few minutes. Aortic pressure drops rapidly during the first few minutes of such a test. In a subsequent period of about two hours, the aortic pressure remained about 40-50% below normal. The graph shows that tongue and sublingual blood flow decreased to about 35% during the first hour, showing a more dramatic response than other tissues.

5 These data show that an decrease in sublingual blood flow is directly correlated with the effects of blood loss, i.e. perfusion failure.

The relationship of sublingual blood flow and recovery of blood volume (i.e., during perfusion recovery) was tested by infusing the animal with a blood infusion at 120 minutes. Aortic pressure rapidly increases during this period; similarly, sublingual blood
10 flow rapidly recovered.

In addition to blood flow, as described above, PCO_2 or pH may also be measured in the animal or patient, at the same time or shortly before or shortly after such blood-flow measurements are made, to provide further information useful for assessing perfusion failure in an animal or a patient. PCO_2 and pH may be measured using any suitable technique, as
15 will be appreciated by those skilled in the art.

For example, PCO_2 may be measured using a CO_2 sensor such as a pH-sensing PCO_2 sensor. Such PCO_2 sensors may have, for example, a membrane that is permeable to CO_2 , and that separates a sodium bicarbonate or carbonic acid (HCO_3) solution from the environment. A pH sensor in the device measures the pH of the sodium bicarbonate
20 solution. Two exemplary CO_2 sensors of this type are manufactured by Microelectrode, Inc. and Nihon Kohden (ISFET PCO_2 sensor).

Alternatively, the CO_2 sensor is an optical PCO_2 sensor. Structures, properties, functions, and operational details of fiber optic chemical sensors can be found in U.S. Patent Nos. 4,577,109; 4,785,814; and 4,842,783, as well as in Seitz, "Chemical Sensors Based on
25 Fiber Optics," *Anal. Chem.* 56(1):16A-34A (1984). Fiber optic sensors for monitoring CO_2 that may be suitable for use in the present invention include, but are not limited to, those described in U.S. Patent Nos. 4,800,886; 4,892,383; 4,919,891, 5,006,314; 5,098,659; 5,280,548; and 5,330,718. Other exemplary fiber optic CO_2 sensors are described in Peterson et al. "Fiber Optic Sensors for Biomedical Applications," *Science* 224(4645):123-
30 127 (1984) and Vurek et al. "A Fiber Optic PCO_2 Sensor," *Annals Biomed. Engineer.* 11:499-510 (1983).

A suitable optical CO₂ sensor is described in U.S. Patent No. 5,714,121 ('121) to Alderete et al., which pertains to an optical CO₂ sensor and method of manufacture thereof; a preferred sensor system and method of using the aforementioned optical CO₂ sensor is described in U.S. Patent No. 5,672,515 ('515) to Furlong. In general, the sensor of the '121 patent is composed of a single optical fiber having a distal tip and a proximal region for communication with a means for receiving a signal from the distal tip. Light of a predetermined wavelength is directed through the optical fiber towards the distal tip, and emitted fluorescent light returns along the fiber to be detected and converted to a CO₂ concentration value. A capsule, composed of a CO₂-permeable silicone material, is arranged over the distal tip at a predetermined position. The capsule contains an indicator solution having a suitable pH-sensitive indicator component, generally a fluorescent dye, and substantially no air. Examples of fluorescent dyes include without limitation fluorescein, carboxyfluorescein, seminaphthorhodafluor, seminaphthofluorescein, naphthofluorescein, 8-hydroxypyrene 1,3,6-trisulfonic acid, trisodium salt ("HPTS") and dichlorofluorescein, with HPTS particularly preferred. A sealing means provides a liquid-tight seal and affixes the capsule onto the distal tip.

Optical CO₂ sensors are generally used by contacting the distal end of the sensor with a mucosal surface as described herein. Light of a predetermined wavelength is directed from an external source, through the optical fiber, impinging distally on the encapsulated indicator composition. The intensity of the emitted fluorescent light returning along the fiber is directly related to the concentration of CO₂ in the sample, as a result of the pH-sensitive indicator material present at the fiber tip (*i.e.*, the pH of the indicator solution is directly related to CO₂ concentration, as a result of carbonic acid formation). The emitted light is carried by the optical fiber to a device where it is detected and converted electronically to a CO₂ concentration value. The sensor may additionally have a reference dye present in the indicator composition. The intensity of the light emitted from the reference dye may be used to compensate, via ratioing, the signal obtained from the indicator. A more preferred system for determining PCO₂ is described in the '515 patent, directed to a simultaneous dual excitation/single emission fluorescent sensing method, wherein light of two different wavelengths is used to excite a single fluorescent indicator

species, with one of the two wavelengths at the isosbestic point. The two fluorescence emission signals that result are ratioed to provide the desired measurement.

Suitable pH sensors include optical pH sensors as described in U.S. Patent Nos. 5,536,783 and 5,607,644 to Olstein et al. Such optical sensors include a chemical pH
5 sensor means, capable of responding to changes in pH in nearby tissues and fluids, that is incorporated into a fiber optic waveguide assembly so as to interact with the environment into which the pH sensor means is placed. The sensor may be placed in a patient's body, and more particularly, may be placed adjacent a mucosal surface in a patient's body. Typically, the responses of the chemical sensor cause changes in the optical properties of the
10 chemical sensor/optical waveguide assembly, so that pH changes near the tip of the assembly may be monitored and assessed by the user at another portion of the apparatus, *e.g.*, at a portion of the apparatus remaining external to the patient's body. For example, as described in the aforementioned U.S. patents, the pH sensor means may comprise a fluorescent poly(urethane) copolymer that fluoresces in response to irradiation, wherein the
15 fluorescence is dependent on the pH of the environment being monitored.

The results of experiments in the animal model, as shown in Figure 1, can be extrapolated to represent a human subject suffering perfusion failure, such as that associated with a gunshot wound or a severe cut from machinery or a knife. Thus, a patient will suffer a rapid decrease in aortic pressure during blood loss, until the outflow of blood is stopped by
20 application of pressure or other means to stop bleeding. The present invention takes advantage of the relationship between blood flow (in the GI tract or the upper respiratory/digestive tract, including in such tissues as sublingual, tongue, stomach and so forth) and perfusion failure or perfusion level, to provide methods and devices to assist a physician or other health care provider in the diagnosis and treatment of a patient having or
25 susceptible to a condition associated with perfusion failure.

For example, although assistance from a paramedic or other person may be available shortly after the initial primary insult, it may take thirty minutes or more for the patient to reach a hospital. This lapse in time may make it difficult to accurately assess the condition of the patient and the presence and/or severity of perfusion failure. Measuring
30 and/or monitoring sublingual blood flow according to the present invention allows the physician or other healthcare provider to readily detect the level of blood flow relative to

normal, as well as the rate of change of blood flow. A rapid decrease in blood flow suggests that the patient has suffered a loss of blood within the last hour or so, while low blood flow indicates the patient presently suffers from a low level of aortic pressure and perfusion failure. In this manner the invention can be used to assess the patient's condition, allowing
5 for appropriate and rapid selection of an appropriate therapy.

The present invention can also be used to monitor the efficacy of reperfusion or other therapeutic regimen to treat perfusion failure in the patient. For example, if the physician, paramedic, or other emergency provider determines that a transfusion of blood or blood components is indicated, and the transfusion is successful in rapidly increasing aortic
10 pressure (such as that illustrated in Fig. 1 from 120 minutes onward), then this success will be reflected by a rapid recovery in blood flow (as illustrated in Fig. 1 from 120 minutes onward). Fig. 1 shows that sublingual blood flow measurements provide a good indication of the level of perfusion failure.

In the present invention, the inventors disclose that a useful measurement of
15 perfusion failure can be obtained by measuring blood flow anywhere in the GI tract or the upper respiratory/digestive tract. Although Fig. 2 illustrates the upper portion of the GI tract, it is to be understood that the invention may be practiced by placement of a blood-flow sensor in any portion of the GI tract or upper respiratory/digestive tract. Accordingly, by way of illustration, Fig. 2 shows the upper respiratory/digestive system or tract **A** of a
20 person, and particularly including the nasal passage **B**, the oral passage **C**, and the upper portion **D** of the throat that extends to the top of the epiglottis **E**. The upper respiratory/digestive tract includes the esophagus **F**, and the gastrointestinal tract includes the esophagus **F**, the esophageal sphincter **G**, the stomach **H**, and the intestines **J**. Insertion of a catheter **10** with a blood-flow sensor **12**, through the nasal or oral passage **B**, **C**, past the
25 epiglottis **E**, and into the esophagus **F** so that the end **14** of the catheter with the sensor **12** thereat lies within the esophagus.

Preferably, the sensor may be positioned in the upper respiratory/digestive tract **A**, preferably with the sensor lying above, at the surface of, or at the epiglottis **E** so it does not have to pass by it. More preferably, the sensor is placed at a site within the oral-nasal
30 cavity, *e.g.*, within a nasal cavity, the mouth (*e.g.*, under the tongue at a site in contact with the tongue or the floor of the mouth, between a region of the lip and gum or the cheek and

gum, the roof of the mouth, or the soft palate), or the nasopharynx. Most preferably, the sensor is placed at a site that will avoid the patient's gag reflex or otherwise minimize discomfort.

The blood-flow sensor lies adjacent a mucosal surface in the upper
5 respiratory/digestive tract **A**, in order that it effectively measures blood flow in the tissue. Placement of a blood-flow sensor adjacent a mucosal surface of the upper respiratory/digestive tract **A** according to the present invention provides a very good quantification of perfusion failure at all times, including the most critical minutes after the onset of perfusion failure when treatment is likely to be most effective.

10 Fig. 3 shows one embodiment of a device or apparatus of the present invention, wherein a tube **20** containing a blood-flow sensor **22** at its front end, is inserted into the oral passage and placed under the tongue **T** of the patient, preferably to one side of the frenulum **V**. After insertion, it might be desirable if the mouth **M** of the patient is kept closed around the tube. However, as with other instruments commonly inserted through the mouth, and as
15 with a patient in a critical condition, the patient is usually unable to keep his mouth closed. In such cases the device can be adapted with a holder as described below.

As illustrated in Fig. 3, the tube **20** and sensor **22** are part of an instrument **24** that includes a flexible cable **26** that extends to a test instrument **30** that typically indicates the blood flow which provides an indicia of a degree of perfusion failure. While the tube **20** is
20 substantially rigid, the cable **26** is flexible. The cable **26** can be made highly flexible for ease of use, instead of having only the moderate flexibility of a catheter. Usually catheters require enough flexibility to pass through curved body passages, but yet must be resistant to column-type collapse in order to withstand the force applied to the catheter's proximal end necessary to accomplish insertion of the distal end and movement of the distal end along the
25 body passage. Since the cable **26** in the device of Fig. 3 does not have to be pushed, it can have more flexibility for ease of use. The largely rigid tube **20** preferably has a length of no more than about one foot (one-third meter), since a longer length would be cumbersome. Catheters for insertion through the esophagus into the stomach, generally have a length of much more than two feet. Fig. 4 shows an example of a sensor **212**, which lies against the
30 sublingual mucosal surface.

Fig. 5 shows a preferred embodiment of the device of the invention that is suitable for taking sublingual blood flow measurements. In this embodiment, sensor assembly instrument **214** may be held in position by a sensor holder **202** that is shaped to lie primarily in a patient's mouth. The holder **202** forms a holder passage **204** that extends between the inner and outer portions **202**, **226** of the holder. When located in place, the sensor **214** projects inwardly from the holder and substantially directly contacts the mucosal surface of the patient. The frame may have an outer end that lies outside the patient's mouth.

The holder **202** can serve to prevent discomfort to the patient. To this end, the sublingual inner portion **226**, including portions **222** and **224**, of the holder preferably lies close to the walls of the mouth on opposite sides of the sensor **214**, as well as above and below the sensor. The upper surface **206** of the holder is designed so the tongue **T** can lie on at least its inner portion, to further provide a seal and to support the tongue to avoid tiring the patient. The holder **202** can also serve as an aid to prevent drying of the oral-nasal cavity.

While the holder is an exemplary and preferred isolating means for use with the present invention, other isolating means that serve substantially the same function can be substituted or used in conjunction with the holder. For example, a sheath can surround the blood-flow sensor. The sensor and the sheath can be held in place by a holder similar to that described above, but with the advantage that the entire device may be of an overall smaller size (*e.g.*, for placement in the mouth).

A second purpose of the holder is to substantially fix the position of the sensor assembly **214** and the sensor **212** so the sensor is maintained in a proper position and does not move. This is particularly useful where the patient is incapable of holding the sensor properly in place due to unconsciousness or some other reason. A tension coil spring extending between the handle and holder, can be used to gently urge the sensor **212** inwardly, where necessary. The holder **202** is preferably formed of an elastomeric material (Young's modulus of less than 50,000 psi) such as a soft rubber or soft foam, to avoid high localized pressure on the patient's mouth that could cause discomfort. Preferably, the sensor is positioned on either side of the frenulum of the tongue. The rear portion of the holder **226** may be shaped, as with a slot or bevel, to comfortably receive the frenulum, so the

sublingual inner portion can lie close to the inner end of the sublingual area and therefore closely around the blood-flow sensor.

Although the inventors prefers to place the sensor in a sublingual area, the sensor can be placed within any region of the GI tract or upper respiratory/digestive tract, most preferably adjacent a mucosal surface of the mouth or nose. For example, in Fig 6 the sensor **230** can be placed at a mucosal surface **W** that lies between a lip **X** and the teeth **Y** of the patient. The area at the rear of the upper or lower lips **X**, **Z** is a mucosal surface. Figs. 6 and 7 illustrate a holder **230** suitable for use at a mucosal surface adjacent a patient's lips. In this embodiment, holder **230** is preferably of soft elastomeric material such as an elastomeric solid or a foam, or even a viscous fluid in a flexible shell. The holder isolates the mucosal surface area contacted by the sensor and prevents movement of the sensor.

In another embodiment, the blood-flow sensor **240** lies adjacent a mucosal surface area **AA** in a nares (nostril) of a patient (Fig. 8). A foam plug **242** serves as a holder that holds the sensor to position it. Only a pair of electrical wires **244** extend from the sensor through the holder. Where the blood-flow sensor is a fiber optical sensor, the holder can be adapted accordingly so that only the optical fiber extends from the plug.

In another embodiment, the blood-flow sensor may be placed adjacent a mucosal surface in the stomach of a patient.

In another embodiment, the blood-flow sensor may be placed adjacent a mucosal surface in the jejunum of a patient.

In another embodiment, the blood-flow sensor may be placed adjacent a mucosal surface in the colon of a patient.

In another embodiment, the blood-flow sensor may be placed adjacent a mucosal surface in the rectum of a patient.

In another embodiment, a PCO_2 sensor may be used in conjunction with the blood-flow sensor. Alternatively, a pH sensor may be used in conjunction with the blood-flow sensor. In a further embodiment, both a pH sensor and a PCO_2 sensor may be used in conjunction with the blood-flow sensor. The advantages of such a combination in providing a more robust indication of perfusion failure will be well understood by those skilled in the art.

The blood-flow sensor used in the methods and devices of the invention may be any blood-flow sensor suitable for detection of blood flow in the manner described herein, such as laser-Doppler blood-flow sensors, ultrasound-Doppler blood-flow sensors, imaging sensors and so forth. For example, the preferred blood-flow sensor is a laser-Doppler
5 blood-flow sensor.

An exemplary blood-flow sensor of this type is manufactured by Vasomedics (St. Paul, Minnesota). For example, the Laserflo BPM² may be used to provide continuous tissue perfusion data which can be used to practice the present invention.

Thus, the invention provides a method and device for assessing perfusion failure,
10 which methods may be performed rapidly, with little equipment set-up required, and with minimal or substantially no invasion, and thus minimal risk of harm to the patient and an improved probability of patient compliance. The method generally involves introducing a blood-flow sensor into the GI tract of a patient, or into the upper respiratory/digestive tract of a patient, adjacent a mucosal surface therein. Furthermore, the method can be performed
15 so as to avoid even triggering the gag reflex of the patient by placing the blood-flow sensor in the upper respiratory/digestive tract at a position above the epiglottis, preferably sublingually. Measurements of blood flow are taken while the sensor is held adjacent a mucosal surface in the upper respiratory/digestive tract, such as a mucosal surface of the mouth or nose, for example the area under the tongue, an area between the upper or lower
20 lip and the teeth, or an area in the nose. A holder may be optionally used to prevent sensor movement. The invention is useful in a variety of settings, such as in triage in emergency and disaster settings, monitoring in anesthesia, intensive care, and other acute settings in which patients may have acute perfusion failure (shock).

It is to be understood that while the invention has been described in conjunction with
25 the preferred specific embodiments thereof, that the foregoing description as well as the examples which follow are intended to illustrate and not limit the scope of the invention. Other aspects, advantages and modifications within the scope of the invention will be apparent to those skilled in the art to which the invention pertains.

CLAIMS:

1. A device for assessing perfusion failure in a patient, the device comprising:
a blood-flow sensor means, adapted to be positioned adjacent a mucosal surface
5 within a patient's body and measuring blood flow in adjacent tissue; and
an indicating means operably connected to the sensor means, for indicating the
measured blood flow whereby a degree of perfusion failure of the patient may be deduced.
2. The device of claim 1, wherein the device further comprises a positioning means
10 for locating or maintaining the blood flow sensor means at a position in the upper
respiratory/digestive tract.
3. The device of claim 2, wherein the positioning means is a holder adapted to fit
within the oral-nasal cavity of the patient and maintain the sensor in place adjacent the
15 mucosal surface.
4. The device of claim 3, wherein the positioning means is a holder adapted to fit
within the mouth of the patient and hold the sensor in place adjacent the mucosal surface.
- 20 5. The device of claim 3, wherein the holder is adapted to position the sensor
adjacent a sublingual mucosal surface.
6. The device of claim 3, wherein the holder is constructed to fit between the inside
of a lip and gum of the patient, wherein during detecting the sensor means is positioned
25 within the holder and adjacent a mucosal surface isolated by the holder.
7. The device of claim 3, wherein the positioning means is a holder adapted to fit
within a nares of the patient and hold the sensor in place adjacent the mucosal surface.
- 30 8. The device of claim 1, wherein the sensor is a laser-Doppler blood-flow sensor.

9. The device of claim 8, further comprising a pH sensor, or a PCO₂ sensor, or both.

10. The device of claim 1, wherein the sensor is an ultrasound-Doppler blood-flow sensor.

5

11. The device of claim 10, further comprising a pH sensor, or a PCO₂ sensor, or both.

12. The device of claim 1, further including a means for determining the rate of change of blood flow.

10

13. The device of claim 12, wherein the determining means comprises a circuit for generating a signal representing the rate of change of blood flow.

14. A device for use with a blood-flow sensor assembly for assessing perfusion failure of a patient, comprising:

15

a sensor holder with an inner portion and an outer portion, said inner portion shaped to fit in the mouth of a patient under the patient's tongue, said holder forming at least one holder passage extending from said outer portion to said inner portion.

20

15. A method for assessing perfusion failure of a patient, the method comprising: placing a blood-flow sensor adjacent a mucosal surface within the body of a patient; and

measuring blood flow in adjacent tissue;

25

wherein a measured blood flow that is substantially lower than a normal blood flow is indicative of perfusion failure in the patient.

16. The method of claim 15, wherein the mucosal surface is in the gastrointestinal tract or in the upper respiratory/digestive tract.

30

17. The method of claim 16, wherein the mucosal surface is in the gastrointestinal tract.

5 18. The method of claim 16, wherein the mucosal surface is in the upper respiratory/digestive tract.

19. The method of claim 15, wherein the mucosal surface is in the esophagus.

10 20. The method of claim 15, wherein the mucosal surface is in the oral-nasal cavity.

21. The method of claim 15, wherein the mucosal surface is in the mouth.

22. The method of claim 15, wherein the mucosal surface is a sublingual surface.

15 23. The method of claim 15, wherein the mucosal surface is in a nasal passage.

24. The method of claim 15, wherein the blood flow is measured using a laser-Doppler blood-flow sensor.

20 25. The method of claim 15, wherein the blood flow is measured using an ultrasound-Doppler blood-flow sensor.

25 26. The method of claim 15, wherein said measuring step comprises:
positioning a blood-flow sensor means adjacent the mucosal tissue; and
measuring a rate-of-change of blood flow in the mucosal tissue
whereby the rate-of-change indicates whether blood flow is decreasing, and whereby a
decreasing blood flow indicates a worsening condition in a patient.

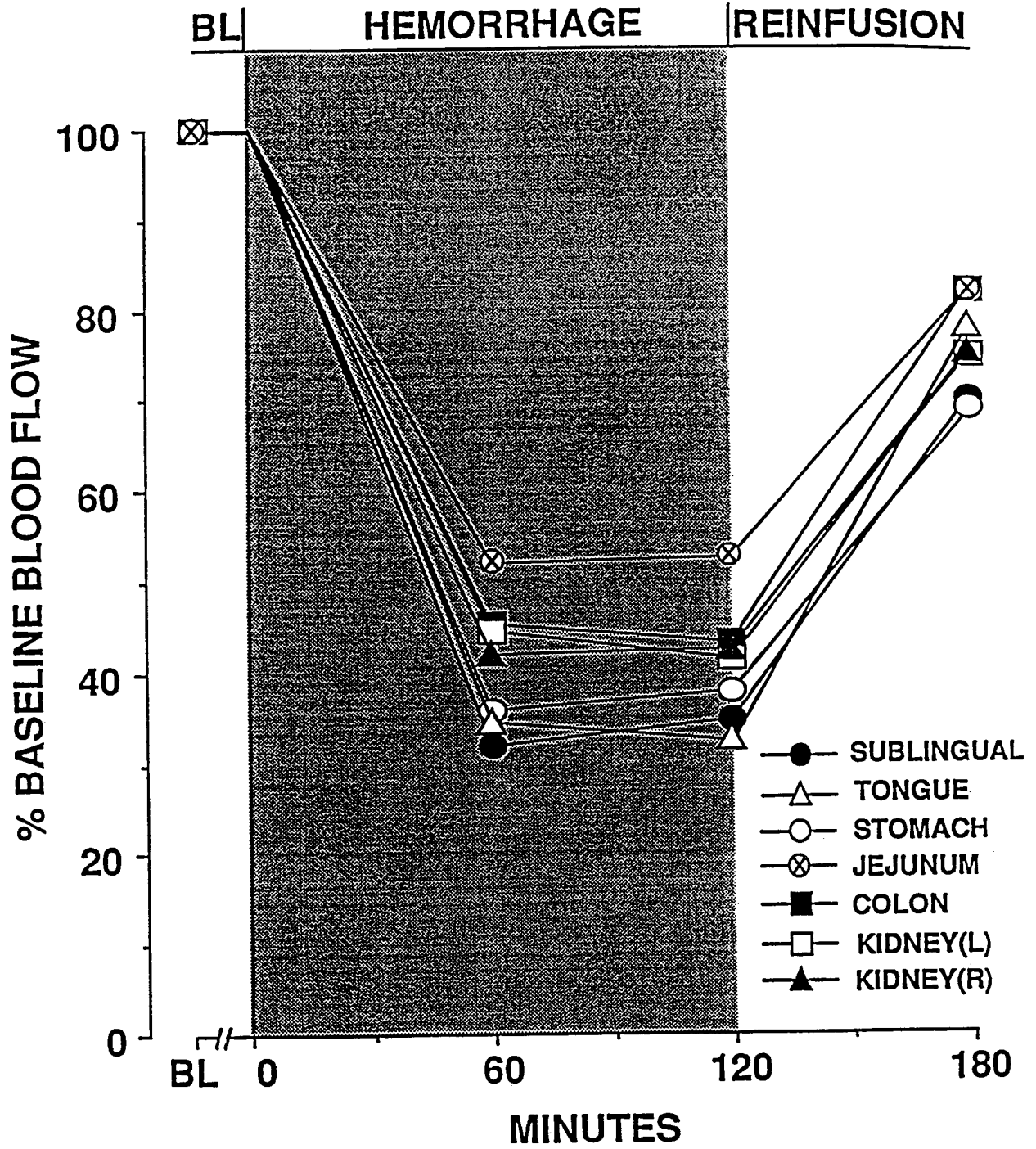
30 27. A method for assessing perfusion failure of a patient, the method comprising:
placing a blood-flow sensor adjacent a mucosal surface within the body of a patient;
placing a PCO₂ sensor adjacent a mucosal surface within the body of a patient;

measuring blood flow in adjacent tissue using the blood-flow sensor; and
measuring PCO_2 with the PCO_2 sensor,
wherein a measured blood flow that is substantially lower than a normal blood flow
and a PCO_2 that is substantially higher than a normal PCO_2 are indicative of perfusion
5 failure in the patient.

28. A method for assessing perfusion failure of a patient, the method comprising:
placing a blood-flow sensor adjacent a mucosal surface within the body of a patient;
placing a pH sensor adjacent a mucosal surface within the body of a patient;
10 measuring blood flow in adjacent tissue using the blood-flow sensor; and
measuring pH with the pH sensor,
wherein a measured blood flow that is substantially lower than a normal blood flow
and a pH that is substantially lower than a normal pH are indicative of perfusion failure in
the patient.

15
29. A method for assessing perfusion failure of a patient, the method comprising:
placing a blood-flow sensor adjacent a mucosal surface within the body of a patient;
placing a PCO_2 sensor adjacent a mucosal surface within the body of a patient;
measuring blood flow in adjacent tissue using the blood-flow sensor;
20 placing a pH sensor adjacent a mucosal surface within the body of a patient;
measuring PCO_2 with the PCO_2 sensor; and
measuring pH with the pH sensor,
wherein a measured blood flow that is substantially lower than a normal blood flow,
a PCO_2 that is substantially higher than a normal PCO_2 and a pH that is substantially lower
25 than a normal pH are indicative of perfusion failure in the patient.

1/4
Fig. 1



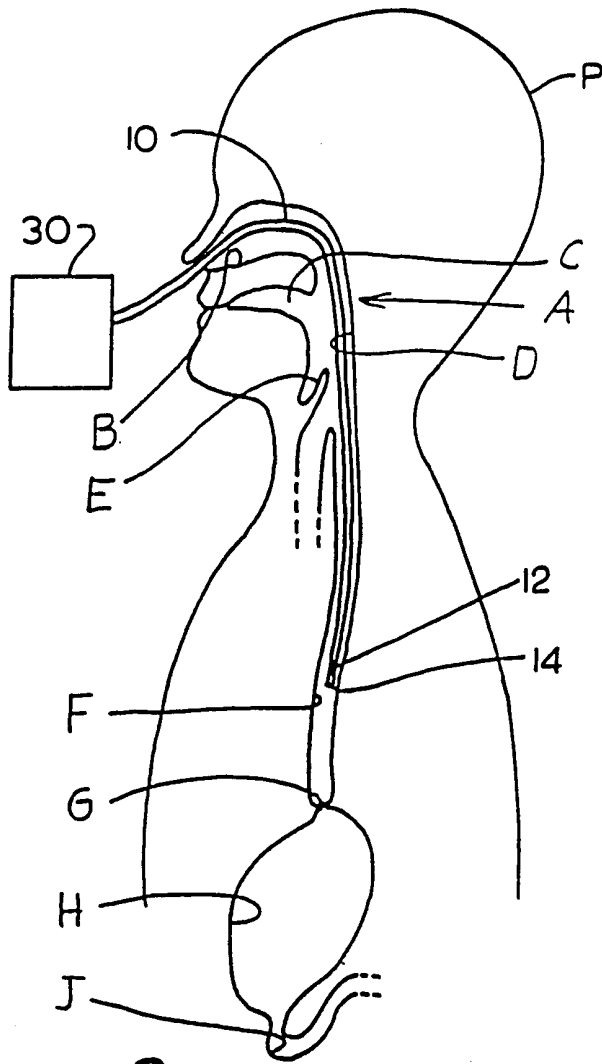


FIG 2

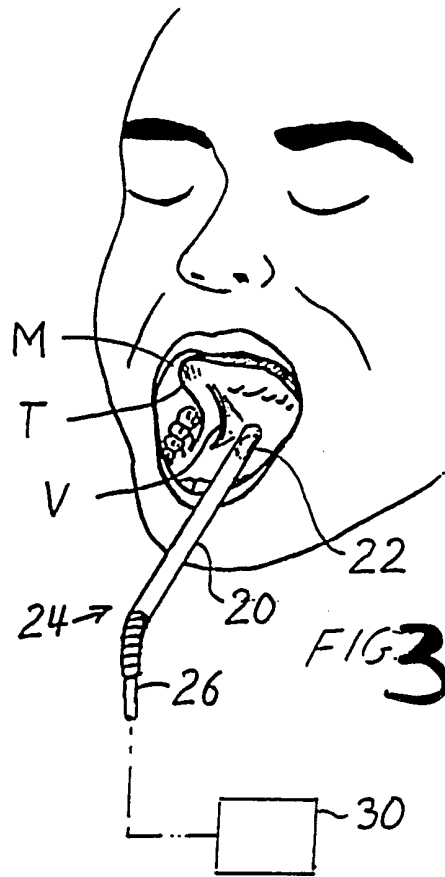


FIG 3

5

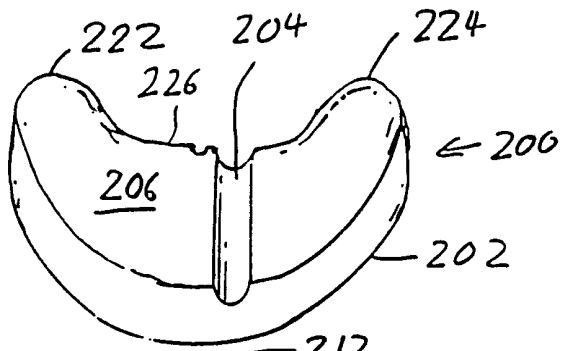
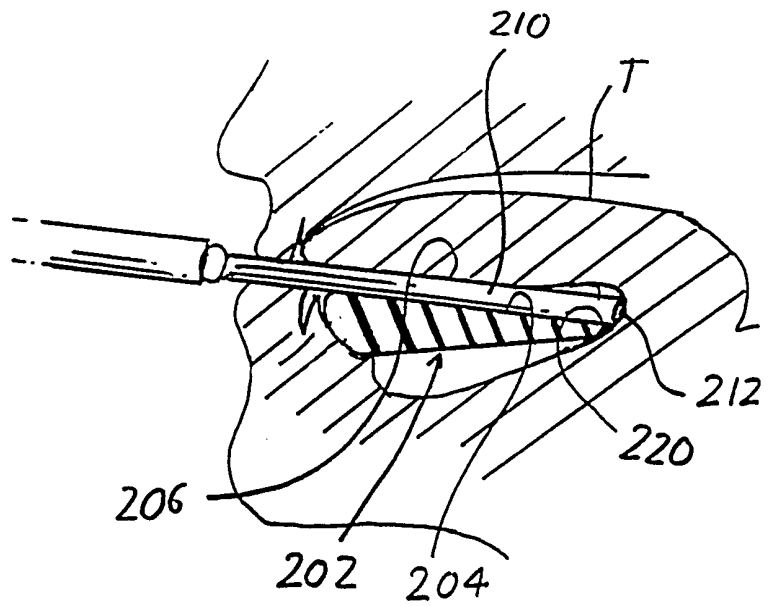
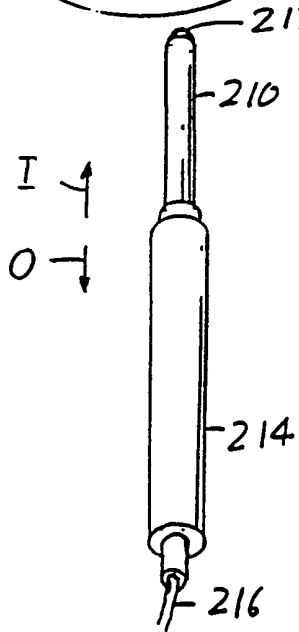
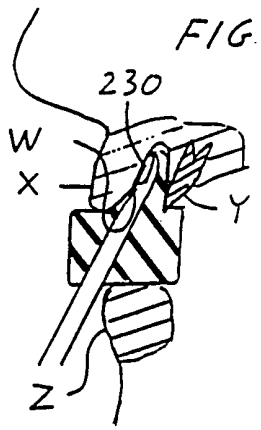


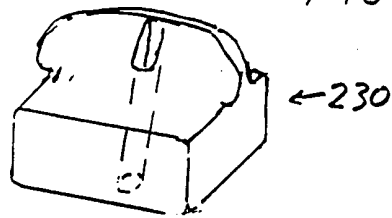
FIG. 4



6

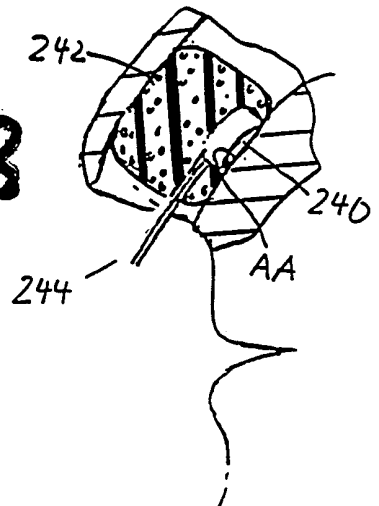


7



8

FIG.



INTERNATIONAL SEARCH REPORT

International application No.
PCT/US00/08683

A. CLASSIFICATION OF SUBJECT MATTER IPC(7) : A61B 05/00 US CL : 600/504; According to International Patent Classification (IPC) or to both national classification and IPC		
B. FIELDS SEARCHED Minimum documentation searched (classification system followed by classification symbols) U.S. : 600/504-507. 593 Documentation searched other than minimum documentation to the extent that such documents are included in the fields searched Electronic data base consulted during the international search (name of data base and, where practicable, search terms used)		
C. DOCUMENTS CONSIDERED TO BE RELEVANT		
Category*	Citation of document, with indication, where appropriate, of the relevant passages	Relevant to claim No.
X --- A	US, 4,729,384, A (BAZENET) 08 March 1988, entire document.	1-13, 15-17, 19, 24-26 ----- 14, 18, 20-23, 27-29
X --- A	US, 4,945,896, A (GADE) 07 August 1990, entire document.	1-13 ----- 14-29
<input checked="" type="checkbox"/> Further documents are listed in the continuation of Box C. <input type="checkbox"/> See patent family annex.		
* "A" "E" "L" "O" "P"	Special categories of cited documents: document defining the general state of the art which is not considered to be of particular relevance earlier document published on or after the international filing date document which may throw doubts on priority claim(s) or which is cited to establish the publication date of another citation or other special reason (as specified) document referring to an oral disclosure, use, exhibition or other means document published prior to the international filing date but later than the priority date claimed	"T" "X" "Y" "&" later document published after the international filing date or priority date and not in conflict with the application but cited to understand the principle or theory underlying the invention document of particular relevance; the claimed invention cannot be considered novel or cannot be considered to involve an inventive step when the document is taken alone document of particular relevance; the claimed invention cannot be considered to involve an inventive step when the document is combined with one or more other such documents, such combination being obvious to a person skilled in the art document member of the same patent family
Date of the actual completion of the international search 05 JUNE 2000	Date of mailing of the international search report 03 AUG 2000	
Name and mailing address of the ISA/US Commissioner of Patents and Trademarks Box PCT Washington, D.C. 20231 Facsimile No. (703) 305-3230	Authorized officer <i>S. Oleson for</i> ROBERT L. NASSER JR. Telephone No. (703) 308-3251	

INTERNATIONAL SEARCH REPORT

International application No.
PCT/US00/08683

C (Continuation). DOCUMENTS CONSIDERED TO BE RELEVANT

Category*	Citation of document, with indication, where appropriate, of the relevant passages	Relevant to claim No.
X --- A	FRIBERG, M.D. et al, "Habitual Snorers and Sleep Apnoics Have Abnormal Vascular Reactions of the Soft Palatal Mucosa on Afferent Nerve Stimulation. The Laryngoscope 108: March 1998, pp. 431-436.	1-8, 10, 12, 13, 15, 16, 18, 20, 21, 24, 25, 26 ----- 9, 11, 14, 17, 19, 22, 23, 27-29.
X --- A	GRUDEMO et al., Rhinostereomtry and Laser Doppler Flowmetry in Human Nasal Mucosa: Changes in Congestion and Microcirculation during Intranasal Histamine Challenge, ORL, Journal of Oto-Rhino-Laryngol and Its Related Specialties, January-February 1997, Vol. 59, pages 50-56.	1-8, 10, 12, 13, 15, 16, 18, 20, 23-26 ----- 9, 11, 14, 17, 19, 21, 22, 27-29