



US00D539268S

(12) **United States Design Patent**  
**Suzuki**

(10) **Patent No.:** **US D539,268 S**

(45) **Date of Patent:** **\*\* Mar. 27, 2007**

(54) **EARPHONE**

(75) Inventor: **Satoshi Suzuki**, Tokyo (JP)

(73) Assignee: **Sony Corporation**, Tokyo (JP)

(\*\*) Term: **14 Years**

(21) Appl. No.: **29/256,388**

(22) Filed: **Mar. 21, 2006**

(51) **LOC (8) Cl.** ..... **14-01**

(52) **U.S. Cl.** ..... **D14/206**; D14/223

(58) **Field of Classification Search** ..... D14/205,  
D14/206, 223; D24/174; 379/430; 181/129,  
181/130, 135, 149; 381/313, 328, 330, 380,  
381/381, 151, 173, 322, 370

See application file for complete search history.

(56) **References Cited**

**U.S. PATENT DOCUMENTS**

3,197,576 A	*	7/1965	Martin	.....	381/322
4,588,867 A	*	5/1986	Konomi	.....	379/430
D311,007 S	*	10/1990	Daido	.....	D14/205
D318,865 S	*	8/1991	Ichikawa	.....	D14/205
D357,921 S		5/1995	Ming-Chin		
5,867,582 A	*	2/1999	Nagayoshi	.....	381/370
5,953,435 A	*	9/1999	Mullin et al.	.....	381/380
D431,553 S	*	10/2000	Suzuki	.....	D14/223
D459,342 S	*	6/2002	Marion et al.	.....	D14/223

D463,397 S	*	9/2002	Bergfeldt	.....	D14/205
D469,753 S	*	2/2003	Andre et al.	.....	D14/205
D474,171 S	*	5/2003	Suzuki	.....	D14/206
6,574,345 B1	*	6/2003	Huang	.....	381/380
D485,548 S		1/2004	Obata		
D487,077 S		2/2004	Obata		

**FOREIGN PATENT DOCUMENTS**

JP D1247837 S 8/2005

\* cited by examiner

*Primary Examiner*—Paula A. Greene

(74) *Attorney, Agent, or Firm*—Rader, Fishman & Grauer PLLC

(57) **CLAIM**

The ornamental design for an earphone, as shown.

**DESCRIPTION**

FIG. 1 is a perspective view of an earphone showing my new design;

FIG. 2 is a front elevational view thereof;

FIG. 3 is a rear elevational view thereof;

FIG. 4 is a left side elevational view thereof;

FIG. 5 is a right side elevational view thereof;

FIG. 6 is a top plan view thereof; and,

FIG. 7 is a bottom plan view thereof.

**1 Claim, 7 Drawing Sheets**

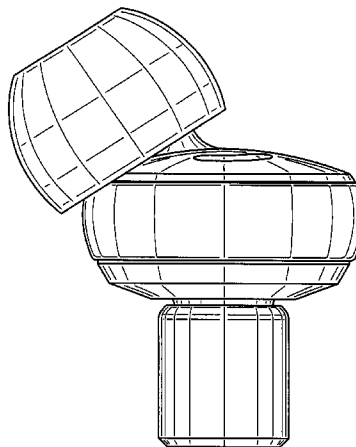
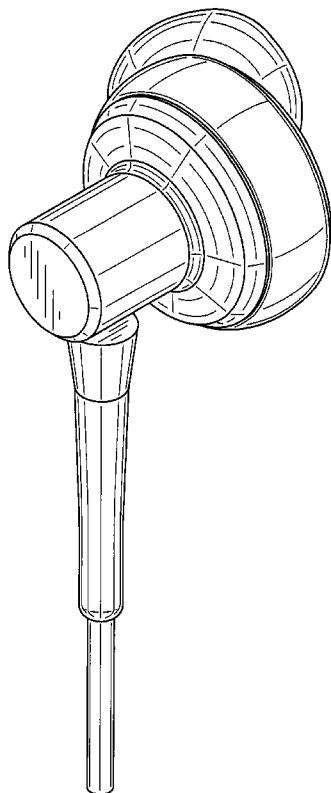


Fig. 1

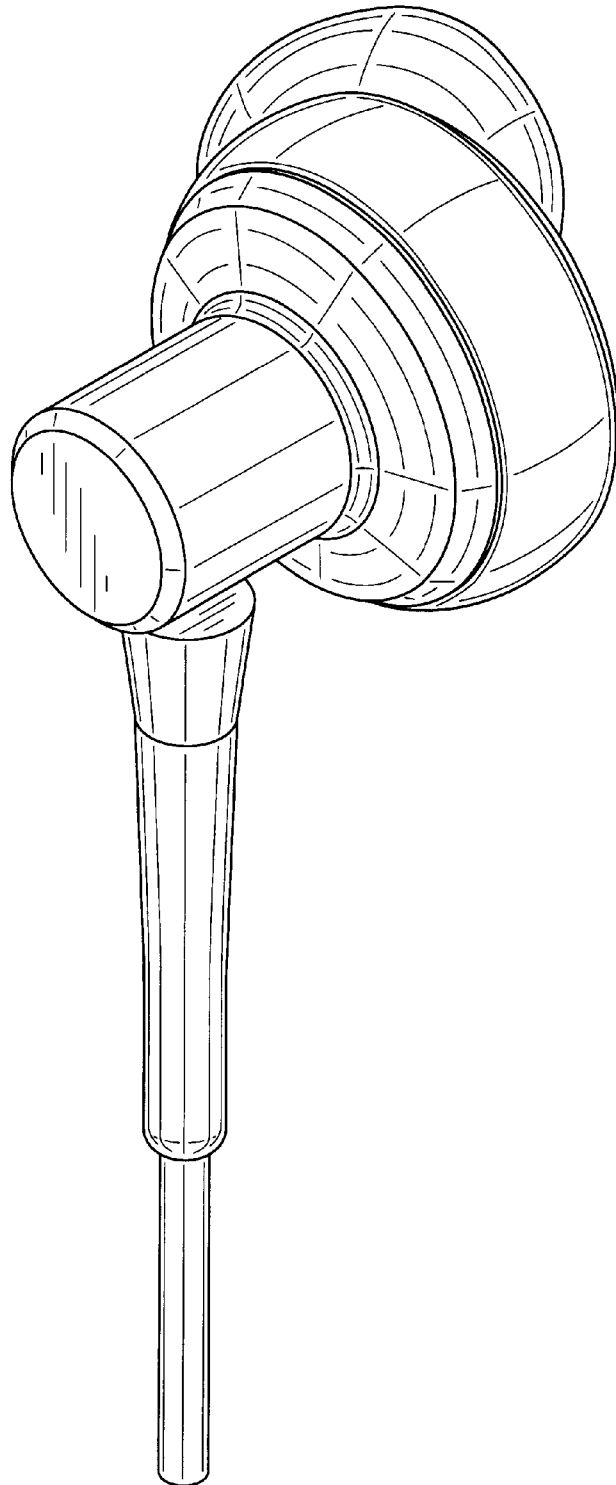


Fig.2

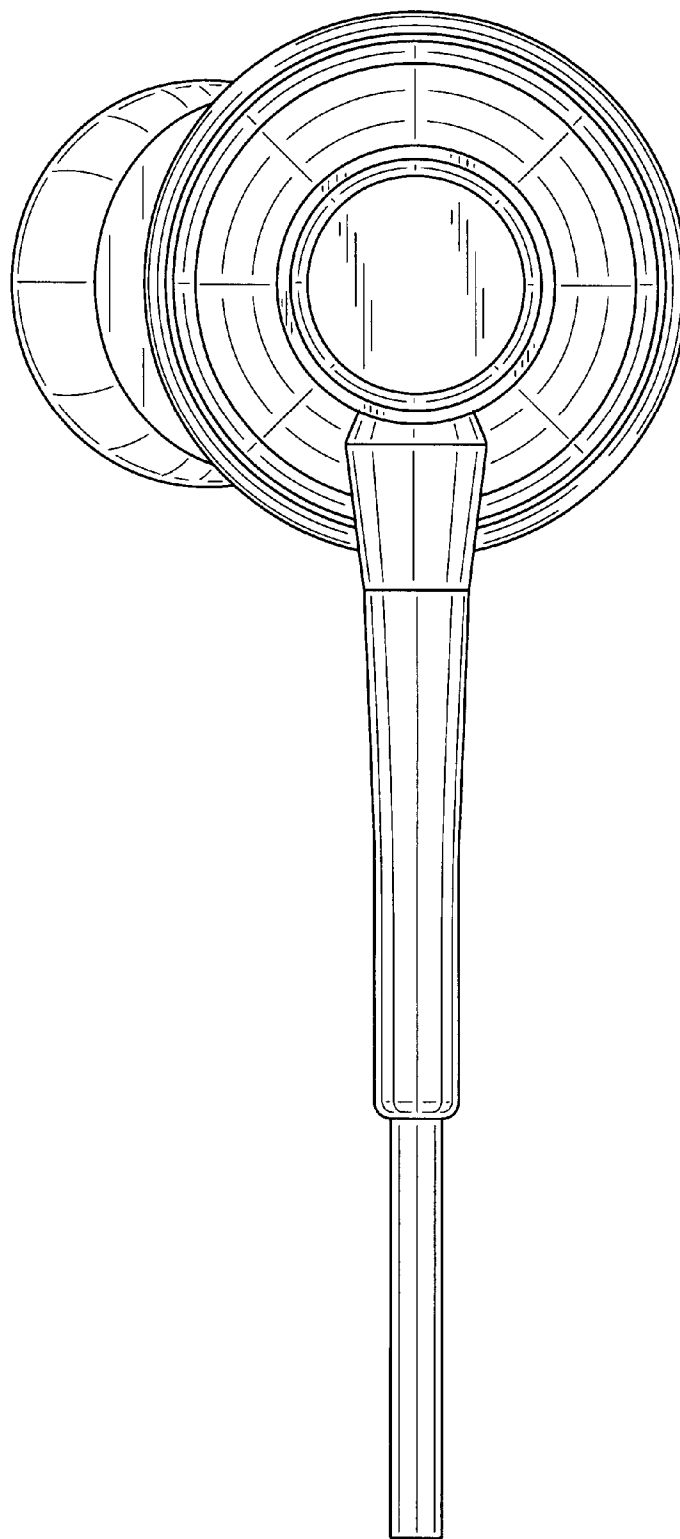


Fig.3

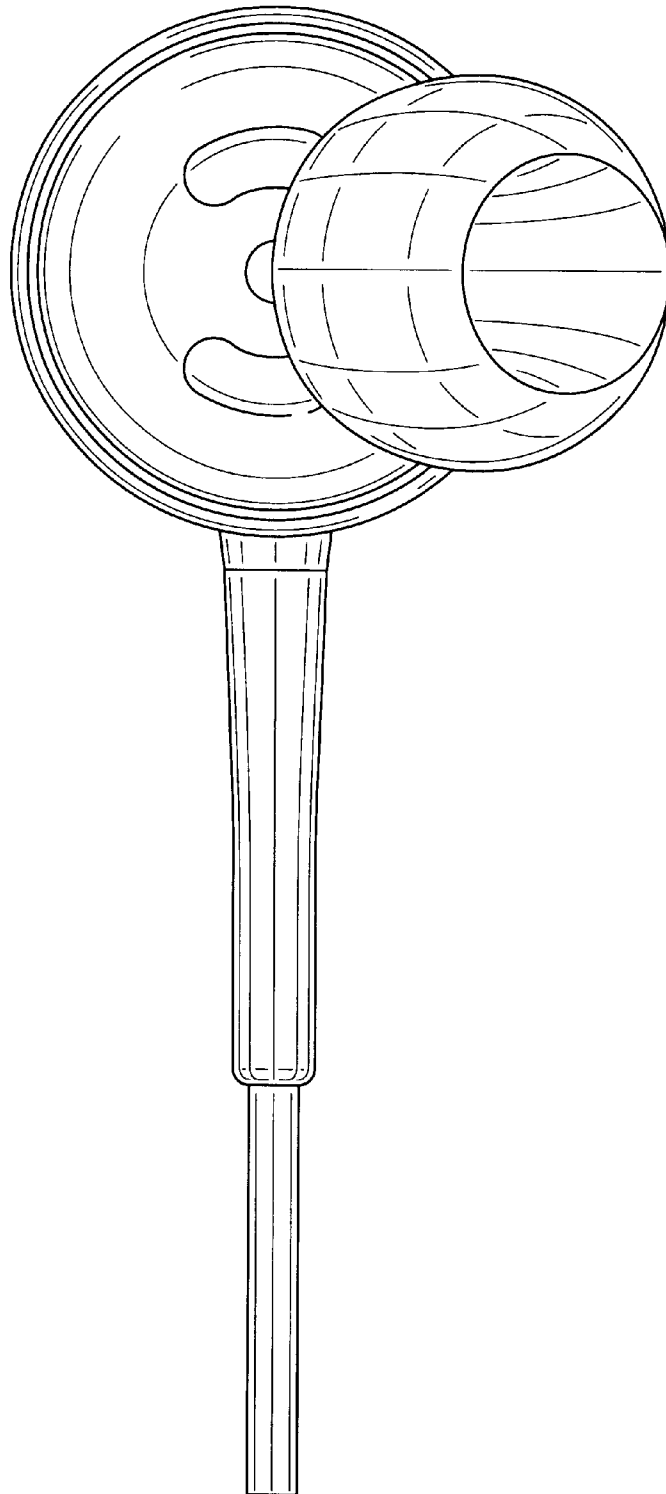


Fig.4

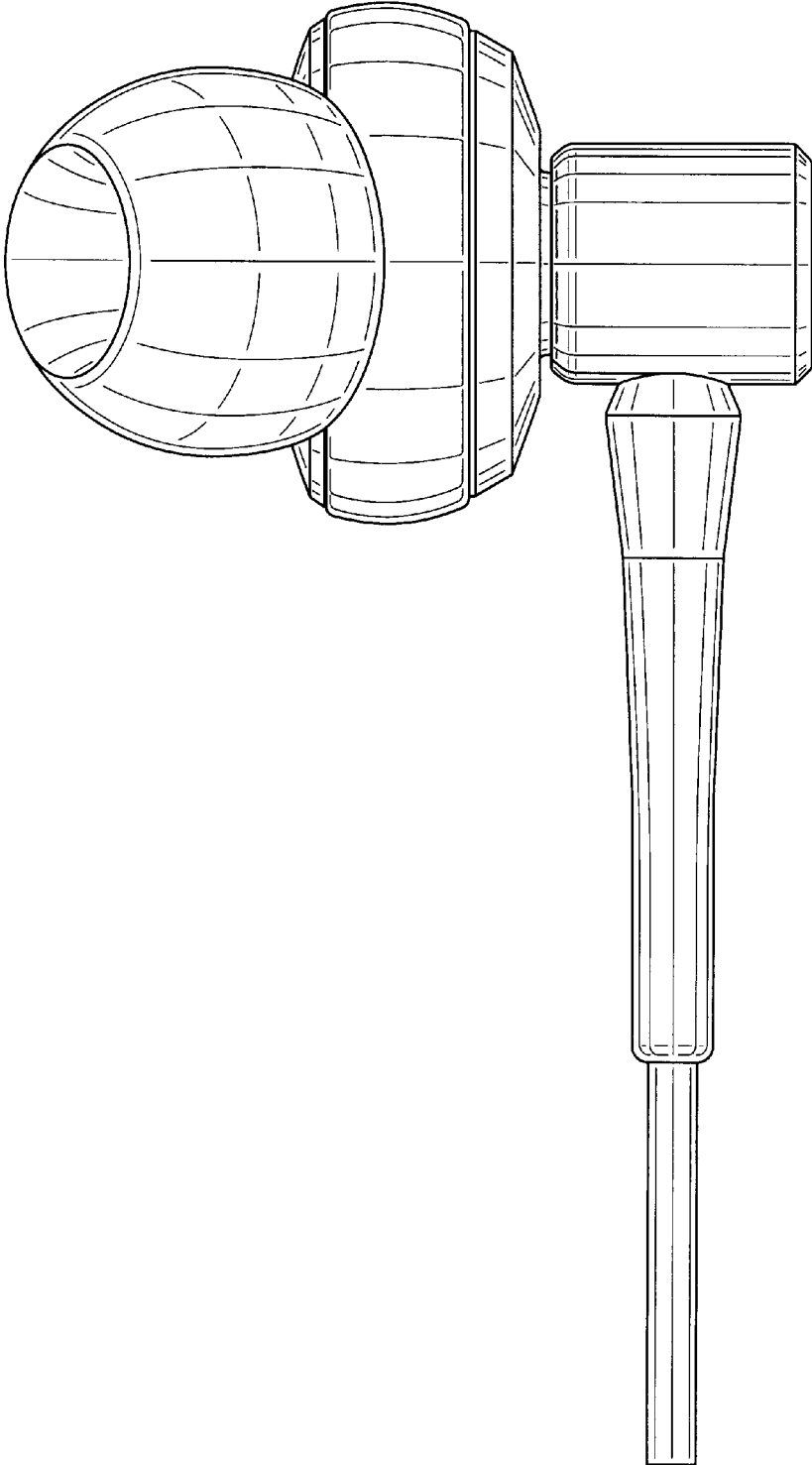


Fig.5

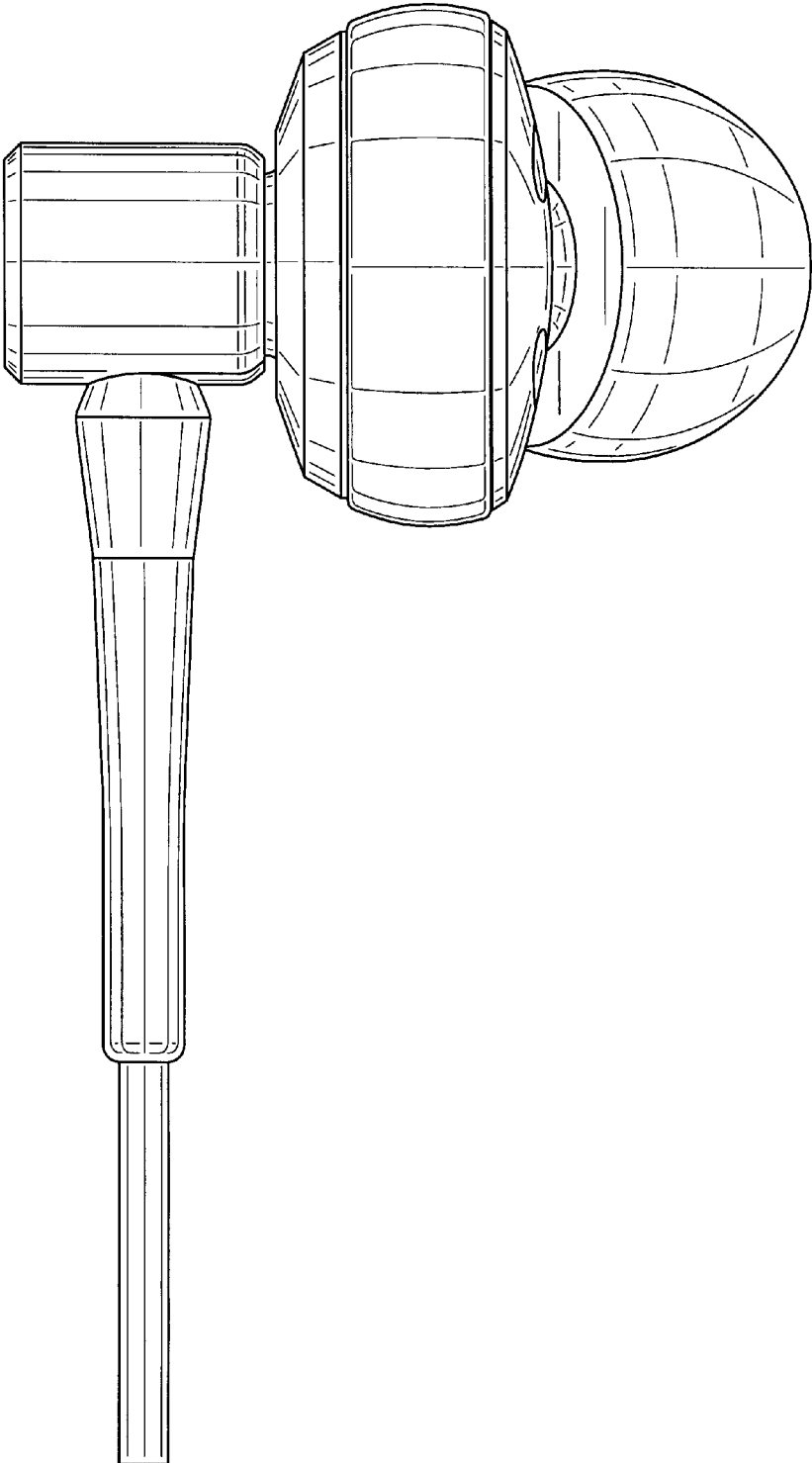


Fig.6

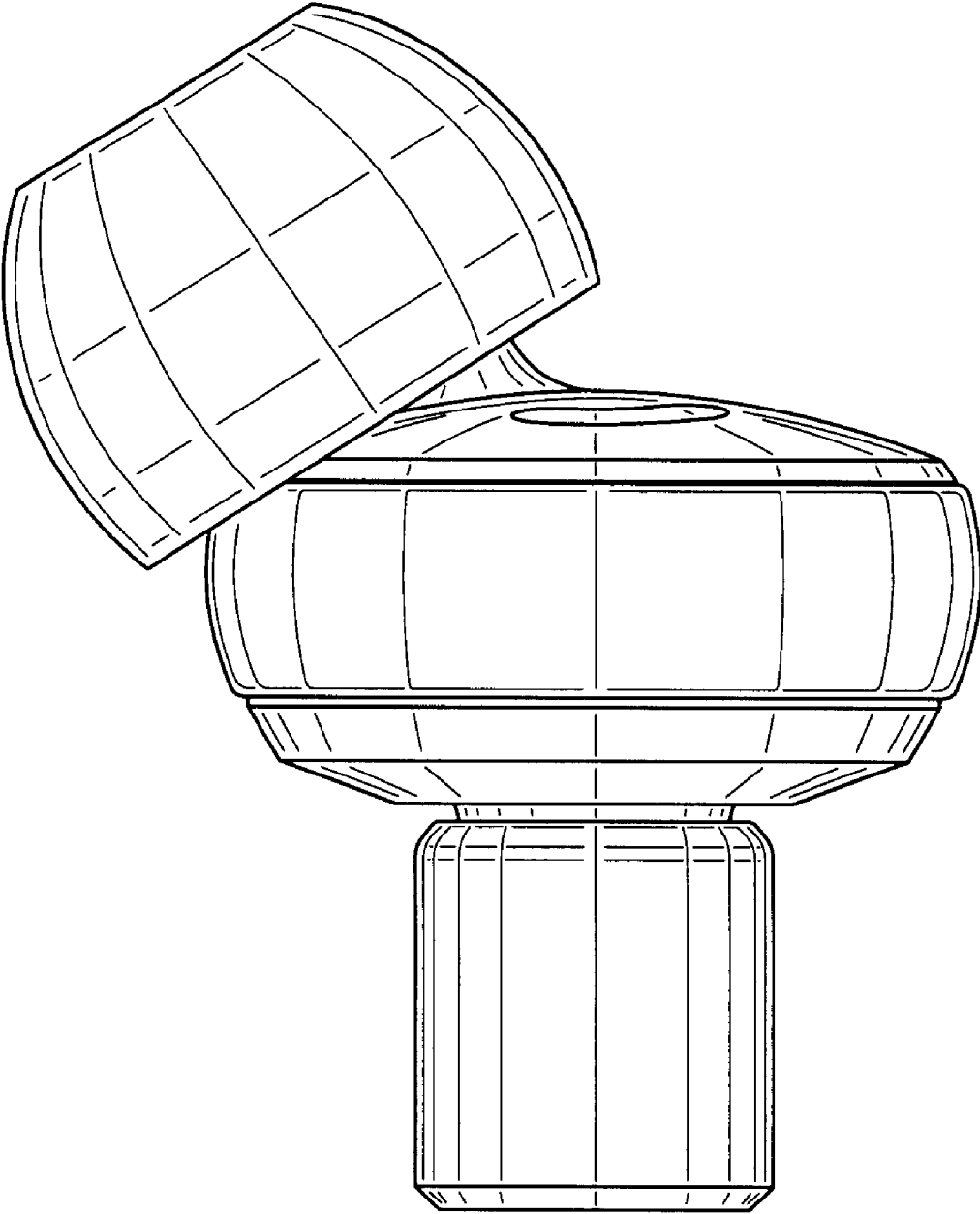


Fig.7

