



AU9513557

(12) PATENT ABRIDGMENT (11) Document No. AU-B-13557/95
(19) AUSTRALIAN PATENT OFFICE (10) Acceptance No. 684883

- (54) Title
LOAD MEASURING APPARATUS
- International Patent Classification(s)
(51)⁶ **G01G 021/23 G01G 017/08 G01G 021/02**
- (21) Application No. : **13557/95** (22) Application Date : **01.03.95**
- (30) Priority Data
- (31) Number (32) Date (33) Country
260019 03.03.94 NZ NEW ZEALAND
266014 14.11.94 NZ NEW ZEALAND
- (43) Publication Date : **14.09.95**
- (44) Publication Date of Accepted Application : **08.01.98**
- (71) Applicant(s)
TRU-TEST LIMITED
- (72) Inventor(s)
BRIAN FREDERICK BOULT
- (74) Attorney or Agent
F B RICE & CO , 28A Montague Street, BALMAIN NSW 2041
- (56) Prior Art Documents
US 3915248
US 4629019
- (57) Claim

1. A load bearing foot comprising:

a housing having a base which in use is supported by a load bearing surface and an aperture in said housing opposite said base,

a load cell means including an abutment portion adapted to receive an applied load, said load cell means mechanically supported by and within said housing,

and a rigid strut having a lower end which bears against said abutment portion of said load cell means and extends outside said housing through said aperture, at least the portion of said strut passing through said aperture being significantly narrower than said aperture, said strut in use being connected to an applied load,

said strut being free to move axially in a direction towards said load cell means, and said portion of said strut passing through said aperture being free to move laterally within the confines of said aperture.



AUSTRALIA
Patents Act 1990

TRU-TEST LIMITED

ORIGINAL
COMPLETE SPECIFICATION
STANDARD PATENT

Invention Title:

"Load measuring apparatus"

The following statement is a full description of this invention including the best method of performing it known to us:-

This invention relates to load measuring apparatus and in particular but not solely a weighing system and load measuring transducers therefor.

In the weighing of animals, for example, it is known to provide a platform upon which the animal stands, which platform is supported by
 5 beams which deflect due to the animal's weight. Such beams are provided with strain gauges which provide an output which is a function of the deflection of the beams and when suitably calibrated, the animal's weight. An electronic processor supplies current to the strain gauges and measures the value of the output signal from the strain gauges to provide on a digital
 10 display the value of the animal's weight.

Such animal weighing systems (excluding the platform which is usually provided by the apparatus installer) are bulky and expensive to produce.

It is an object of the present invention to provide a weighing system
 15 and/or components therefor which overcome the above-mentioned disadvantages or which at least provide purchasers with a useful choice.

Accordingly, in one aspect the invention may broadly be said to consist of a load bearing foot comprising:

20 a housing having a base which in use is supported by a load bearing surface and an aperture in said housing opposite said base.

a load cell means including an abutment portion adapted to receive an applied load, said load cell means mechanically supported by and within said housing,

25 and a rigid strut having a lower end which bears against said abutment portion of said load cell means and extends outside said housing through said aperture, at least the portion of said strut passing through said aperture being significantly narrower than said aperture, said strut in use being connected to an applied load.

30 said strut being free to move axially in a direction towards said load cell means, and said portion of said strut passing through said aperture being free to move laterally within the confines of said aperture.



In a second aspect the invention may broadly be said to consist in a load measuring transducer comprising:

a housing having a base which in use is supported by a load bearing surface and an aperture in said housing opposite said base,

5 a load cell means including an abutment portion adapted to receive an applied load, said load cell means mechanically supported by and within said housing,

10 and a strut having a lower end which bears against said abutment portion of said load cell means and extends outside said housing through said aperture, at least the portion of said strut passing through said aperture being significantly narrower than said aperture, said strut in use being connected to an applied load.

15 said strut being free to move axially in a direction towards said load cell means, and said portion of said strut passing through said aperture being free to move laterally within the confines of said aperture, and said load cell means providing an electrical output which is a function of the applied load.

In a third aspect the invention may broadly be said to consist in a weighing system comprising:

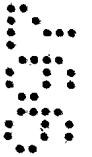
20 a platform having an area to accommodate the physical dimensions of the load to be weighed.

at least one foot attached to said platform to support it on a load bearing surface, each said foot including:

25 a housing having a base which in use is supported by the load bearing surface and an aperture in said housing opposite said base.

30 a load cell means including an abutment portion adapted to receive an applied load, said load cell means mechanically supported by and within said housing.

and a strut having a lower end which bears against said abutment portion of said load cell means and extends outside said housing through said aperture, at least the portion of said strut passing through said aperture being significantly narrower than said aperture, said strut being connected to said platform.



said strut being free to move axially in a direction towards said load cell means, and said portion of said strut passing through said aperture being free to move laterally within the confines of said aperture.

5 and electronic summing means which receive the electrical signals from each load cell and provide an output signal having a value which is a function of the weight of said load.

Preferred embodiments of the present invention will now be described with reference to the accompanying drawings in which:

10 Figure 1 shows a diametrical cross-section through a load bearing foot for use in a weighing system.

Figure 2 shows a diametrical cross-section through the load cell and strut according to a preferred embodiment of the present invention.

Figure 3 shows an underneath view of the load cell of the preferred embodiment of the present invention, including strain gauge, and

15 Figure 4 shows a diametrical cross-section through the load cell and strut according to a third embodiment of the present invention.

5

5

21



Referring to Figure 1 the load bearing foot consists of three main parts - a strut 1 which in use is attached to the load, a housing 2 which in use rests on a load bearing surface and a load cell 3 which is fixed within housing 2 and transmits the load force carried by strut 1 to housing 2 and thence to the load bearing surface.

5 The foot housing has a base 4 of sufficient diameter to ensure reasonable bearing pressure when in use and incorporates a central cavity 5 having a hemispherical top surface 6. An aperture 7 is provided concentrically with the pole of the hemispherical surface to allow the load bearing strut 1 to enter housing 2. The aperture 7 has a greater diameter than that of strut 1 to allow a limited degree of rotation of strut 1
10 relative to the base 4.

Strut 1 takes the form of a rod 25 and is fixed to a hemispherical retaining member 8, the radius of this hemisphere being substantially identical to the radius of the hemispherical surface 6. As is shown in the drawing, the rod retention member in combination with the housing cavity permits retention of the strut while allowing
15 angular rotation off the perpendicular within the limits defined by the diameter of aperture 7.

Mounted within housing 2 is a load cell 3. In the embodiment of the invention shown in Figure 1, this load cell is of the diaphragm strain gauge type adapted to receive applied load through a central abutment 9 and to resist reactive forces at the
20 perimeter rim 10. A resistive strain gauge 20 is bonded to the diaphragm 18 of the load cell. To allow for strut movement off the perpendicular (foot not on level ground) while at the same time permitting the whole of the force applied to strut 1 to be transferred to load cell 3 a single point contact system is used between strut 1 and load cell 3. This is provided by forming a central recess 11 within the bottom surface of
25 retention member 8 which accommodates a spherical ball bearing 12 which rests within conical surface 13 of diaphragm abutment 9. The rod retention member 8 bears against ball bearing 12 at a single point.

Electrical outputs from a resistive strain gauge 26 are indicative of the load applied to the load cell, due to the deformation of the load cell diaphragm when a load
30 is applied.

In the alternative and preferred embodiment of the load cell shown in Figure 2, it is also a diaphragm type adapted to receive applied load through central abutment 9 and to resist the reactive forces at the perimeter rim 10. However, to allow for strut movement off the perpendicular, while at the same time permitting the whole of the force applied to strut 1 to be transferred to load cell 3 through the abutting surfaces of the abutment 9 and the strut 1, one of the abutting surfaces is formed as a spherically curved depression 16, while the other surface is a complementary spherically curved dome 17.

It is preferred that the centre of curvature of these abutting surfaces is coincident with the centre of curvature of the hemispherical surface 6 and of the hemispherical retaining member 8, so that free rotation is able with constant tolerances between the hemispherical surface 6 and hemispherical retaining member 8. It is also preferable that the diameter of the strut 1 is larger than the diameter of abutment 9, so that load is less capable of being localised in abutment 9.

Other aspects of the embodiment shown in Figure 2 are also considered advantageous. It has been found that the arrangement of load cell features and the relative dimensions of the features are important to the performance of the load cell. An arrangement of the features and relative dimensions which has been found optimal by trial and error testing, is shown in Figure 3 which is to scale. Effectively it has been found that the configuration shown and in particular the relative relationship of the dimensions is optimal for producing a diaphragm load cell of very small size. For example a cell having overall diameter of less than 50 mm is possible for measuring weights up to 1000 kg with reasonable accuracy.

The material of construction of the load cell is also important, as the material properties cause variation in the performance of the diaphragm under load. It is envisaged that the cell could be made for example from aluminium or steel, and it has been found that in particular the aluminium alloy 2024 T81 is suitable. It has also been found that in relation to material, forming processes are important, and although the load cell could be made by machining from a large billet, it is preferred that the load cell be forged and appropriately heat treated, due to the advantageous grain structure that is imparted.

With reference to Figure 4 a third embodiment of the present invention is shown, being a combination of the preferred embodiment described with reference to Figure 2 and an aspect of the first embodiment of the invention described with reference to Figure 1. The third embodiment of the invention is an identical load cell to that
5 described with reference to Figure 2, however rather than the strut bearing directly on central abutment 9, instead the strut 1 is provided with a central recess 11 within the bottom surface of retention member 8, which accommodates a spherical ball bearing 12 which rests in a spherically curved depression 16 of abutment 9. It has been found that this arrangement allows slight transverse movement, and consequently can be
10 more accurate when used in conjunction with flexible platforms.

Strut 1 comprises a steel rod 25 which is threaded over length 14 to enable it to be bolted to a load bearing platform (not shown). In addition, use of a screw thread allows for convenient height adjustment. A resilient insert 15 is provided within base 4 to absorb impact loading on the foot, and to resist lateral forces.

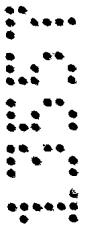
15 The load cell, while conveniently of diaphragm configuration, need not use a strain gauge technology. Alternatives include a cell providing variable electrical capacitance as a result of diaphragm deflection or changes in resonant frequency arising from change in resonating mass at fixed stiffness.

20 In the preferred form of the invention, a diaphragm strain gauge is used, having a non-directional character. For example the strain gauge measures strain over the total periphery of the cell cavity, to ensure the cell is not sensitive to side loading in a particular direction. The preferred strain gauge 20 is of the configuration shown in Figure 3, which is a known strain gauge normally used in pressure sensing devices, but
25 adapted in this case for securing to the diaphragm of the load cell. The strain gauge has four resistive gauges 21, 22, 23, 24 arranged to give even coverage of the surface of the diaphragm. This allows the gauge to overcome the adverse effects of non-uniform strain caused by pressure on the trunnion 9. This strain gauge allows the diaphragm load cell of the preferred form of this invention to be very small but retain sufficient accuracy for its desired purpose.

30 In use, three or four load bearing feet of the type described above would be connected to the underside of a load bearing platform to support the platform on a load

bearing surface, or in the case of a hanging platform, as few as one foot may be connected to the platform to support the platform from a load bearing support. The load cells would be connected to an electronic processor which would sum the signals received from each foot and provide a display of the weight of the load on the platform. The overall arrangement could typically be used for the weighing of animals. The present invention by providing a combination load transducer/load bearing foot means that the prime manufacturer of weighing systems of this type need only supply the requisite number of feet together with the appropriate electronic processing and display means. There is thus a saving in the supply of bulky beams as is currently done.

While the load bearing foot has been described with reference to a weighing system it could equally be used wherever it was necessary to measure forces in struts.



THE CLAIMS DEFINING THE INVENTION ARE AS FOLLOWS:

1. A load bearing foot comprising:

a housing having a base which in use is supported by a load bearing surface and an aperture in said housing opposite said base,

5 a load cell means including an abutment portion adapted to receive an applied load, said load cell means mechanically supported by and within said housing,

and a rigid strut having a lower end which bears against said abutment portion of said load cell means and extends outside said housing through said aperture, at least the portion of said strut passing through said aperture being significantly narrower than said aperture, said strut in use being connected to an applied load,

10 said strut being free to move axially in a direction towards said load cell means, and said portion of said strut passing through said aperture being free to move laterally within the confines of said aperture.

2. A load bearing foot as claimed in claim 1 wherein said strut comprises a rod having rod retention means connected thereto within said housing, said rod retention means being
15 broader than said aperture preventing substantial movement of said rod in an axial direction away from said load cell means.

3. A load bearing foot as claimed in claim 2 wherein said housing defines a hemispherical interior surface with said aperture located at the pole thereof, said rod retention means is hemispherical in shape and at the pole thereof is attached to said rod, the radius of each
20 hemisphere being substantially equal and said aperture is of greater diameter than the diameter of said rod.

4. A load bearing foot as claimed in any one of claims 1 to 3 wherein said load cell means includes a diaphragm load cell, including a diaphragm and deformation measuring means adapted to provide a response variable by the deformation of said diaphragm, said abutment
25 portion is located at the centre of the diaphragm and said diaphragm is supported at its periphery by peripheral support means.

5. A load bearing foot as claimed in claim 4 wherein said diaphragm is substantially circular and said abutment portion comprises an extension from the upper face of said diaphragm at the centre thereof, the axis of said extension being perpendicular to the plane of said diaphragm.

6. A load bearing foot as claimed in claim 4 wherein said peripheral support means comprises a ring member encircling and concentric with said diaphragm, and fashioned



integrally therewith, said ring member having a downwardly extended supporting portion extending below the level of the lower surface of said diaphragm, said base is substantially planar in the region of said load cell, and said ring member rests on said base, such that said diaphragm is supported above said base member in an elevated position by said ring portion.

5

7. A load bearing foot as claimed in any one of claims 4 to 6 wherein said load cell means includes non-directional force transfer means, and said strut transfers load to said load cell through said force transfer means to reduce the transfer of lateral forces to said load cell.

10

8. A load bearing foot as claimed in claim 7 wherein said force transfer means comprises a ball means, presenting a convex exterior surface to each of said strut and said load cell, and being disposed there between, said strut bearing against said ball means and said ball means in turn bearing against said load cell means, and a ball retention means for retaining said ball means in position between said load cell and said lower end of said strut.

15

9. A load bearing foot as claimed in claim 8 wherein said ball retention means comprises an axially extending cavity in the lower end of said strut, said ball means being retained within said cavity by the opposition of said said load cell, said cavity being of significantly larger dimension than the portion of said ball means disposed therein.

10. A load bearing foot substantially as herein described with reference to and as illustrated by Figure 4 of the accompanying drawings.

11. A load measuring transducer comprising:

20

a housing having a base which in use is supported by a load bearing surface and an aperture in said housing opposite said base.

a load cell means including an abutment portion adapted to receive an applied load, said load cell means mechanically supported by and within said housing,

25

and a strut having a lower end which bears against said abutment portion of said load cell means and extends outside said housing through said aperture, at least the portion of said strut passing through said aperture being significantly narrower than said aperture, said strut in use being connected to an applied load,

30

said strut being free to move axially in a direction towards said load cell means, and said portion of said strut passing through said aperture being free to move laterally within the confines of said aperture, and said load cell means providing an electrical output which is a function of the applied load.

12. A load measuring transducer as claimed in claim 11 wherein said strut comprises a rod having rod retention means connected thereto within said housing, said rod retention means



being broader than said aperture preventing substantial movement of said rod in an axial direction away from said load cell means.

5

13 A load measuring transducer as claimed in claim 12 wherein said housing defines a hemispherical interior surface with said aperture located at the pole thereof, said rod retention means is hemispherical in shape and at the pole thereof is attached to said rod, the radius of each hemisphere being substantially equal and said aperture is of greater diameter than the diameter of said rod.

10

14. A load measuring transducer as claimed in any one of claims 11 to 13 wherein said load cell means is a diaphragm load cell, including a diaphragm and deformation measuring means adapted to provide a response variable by the deformation of said diaphragm, said abutment portion is located at the centre of the diaphragm and said diaphragm is supported at its periphery by peripheral support means.

15

15. A load measuring transducer as claimed in claim 14 wherein said diaphragm is substantially circular and said abutment portion comprises a cylindrical extension from the upper face of said diaphragm at the centre thereof, the axis of said extension being perpendicular to the plane of said diaphragm.

20

16. A load measuring transducer as claimed in claim 14 wherein said peripheral support means comprises a ring member encircling and concentric with said diaphragm, and fashioned integrally therewith, said ring member having a downwardly extended supporting portion extending below the level of the lower surface of said diaphragm, said base is substantially planar in the region of said load cell, and said ring member rests on said base, such that said diaphragm is supported above said base member in an elevated position by said ring portion.

25

17. A load measuring transducer as claimed in any one of claims 14 to 16 wherein said load cell means includes non-directional force transfer means, and said strut transfers load to said load cell through said force transfer means to reduce the transfer of lateral forces to said load cell.

30

18. A load measuring transducer as claimed in claim 17 wherein said force transfer means comprises a ball means, presenting a convex exterior surface to each of said strut and said load cell, and being disposed there between, said strut bearing against said ball means and said ball means in turn bearing against said load cell means, and a ball retention means for retaining said ball means in position between said load cell and said lower end of said strut .

19. A load measuring transducer as claimed in claim 18 wherein said ball retention means comprises an axially extending cavity in the lower end of said strut, said ball means being



retained within said cavity by the opposition of said load cell, said cavity being of significantly larger dimension than the portion of said ball means disposed therein.

20. A load measuring transducer substantially as herein described with reference to and as illustrated by Figure 4 of the accompanying drawings.

5 21. A weighing system comprising:

a platform having an area to accommodate the physical dimensions of the load to be weighed,

at least one foot attached to said platform to support it on a load bearing surface, each said foot including:

10 a housing having a base which in use is supported by the load bearing surface and an aperture in said housing opposite said base,

a load cell means including an abutment portion adapted to receive an applied load, said load cell means mechanically supported by and within said housing,

15 and a strut having a lower end which bears against said abutment portion of said load cell means and extends outside said housing through said aperture, at least the portion of said strut passing through said aperture being significantly narrower than said aperture, said strut being connected to said platform,

said strut being free to move axially in a direction towards said load cell means, and said portion of said strut passing through said aperture being free to move laterally within the confines of said aperture,

20 and electronic summing means which receive the electrical signals from each load cell and provide an output signal having a value which is a function of the weight of said load.

22. A weighing system as claimed in claim 20 wherein said strut comprises a rod having rod retention means connected thereto within said housing, said rod retention means being 25 broader than said aperture in an axial direction away from said load cell means.

30 23. A weighing system as claimed in either claim 21 or claim 22 wherein said housing defines a hemispherical interior surface with said aperture located at the pole thereof, said rod retention means is hemispherical in shape and at the pole thereof is attached to said rod, the radius of each hemisphere being substantially equal and said aperture is of greater diameter than the diameter of said rod.

24. A weighing system as claimed in any one of claims 21 to 23 wherein said load cell means is a diaphragm load cell, including a diaphragm and deformation measuring means adapted to provide a response variable by the deformation of said diaphragm, said abutment 35 portion is located.



25. A weighing system as claimed in claim 24 wherein said diaphragm is substantially circular and said abutment portion comprises a cylindrical extension from the upper face of said diaphragm at the centre thereof, the axis of said extension being perpendicular to the plane of said diaphragm.

5 26. A weighing system as claimed in claim 24 wherein said peripheral support means comprises a ring member encircling and concentric with said diaphragm, and fashioned integrally therewith, said ring member having a downwardly extended supporting portion extending below the level of the lower surface of said diaphragm, said base is substantially planar in the region of said load cell, and said ring member rests on said base, such that said
10 diaphragm is supported above said base member in an elevated position by said ring portion.

27. A weighing system as claimed in any one of claims 24 to 26 wherein said load cell means includes non-directional force transfer means, and said strut transfers load to said load cell through said force transfer means to reduce the transfer of lateral forces to said load cell.

15 28. A weighing system as claimed in claim 27 wherein said force transfer means comprises a ball means, presenting a convex exterior surface to each of said strut and said load cell, and being disposed there between, said strut bearing against said ball means and said ball means in turn bearing against said load cell means, and a ball retention means for retaining said ball means in position between said load cell and said lower end of said strut .

20 29. A weighing system as claimed in claim 28 wherein said ball retention means comprises an axially extending cavity in the lower end of said strut, said ball means being retained within said cavity by the opposition of said said load cell, said cavity being of significantly larger dimension than the portion of said ball means disposed therein.

30 30. A weighing system substantially as herein described with reference to and as illustrated by Figure 4 of the accompanying drawings.

35 31. A load bearing foot substantially as herein described with reference to and as illustrated by Figure 1 of the accompanying drawings.

32. A load bearing foot substantially as herein described with reference to and as illustrated by Figure 2 of the accompanying drawings.

30 33. A load measuring transducer substantially as herein described with reference to and as illustrated by Figure 1 of the accompanying drawings.

34. A load measuring transducer substantially as herein described with reference to and as illustrated by Figure 2 of the accompanying drawings.

35. A weighing system substantially as herein described with reference to and as illustrated by Figure 1 of the accompanying drawings.



36. A weighing system substantially as herein described with reference to and as illustrated by Figure 2 of the accompanying drawings.

Dated this nineteenth day of September 1997

TRU-TEST LIMITED
Patent Attorneys for the Applicant

F.B. RICE & CO

15

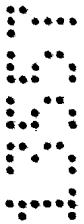
5

21



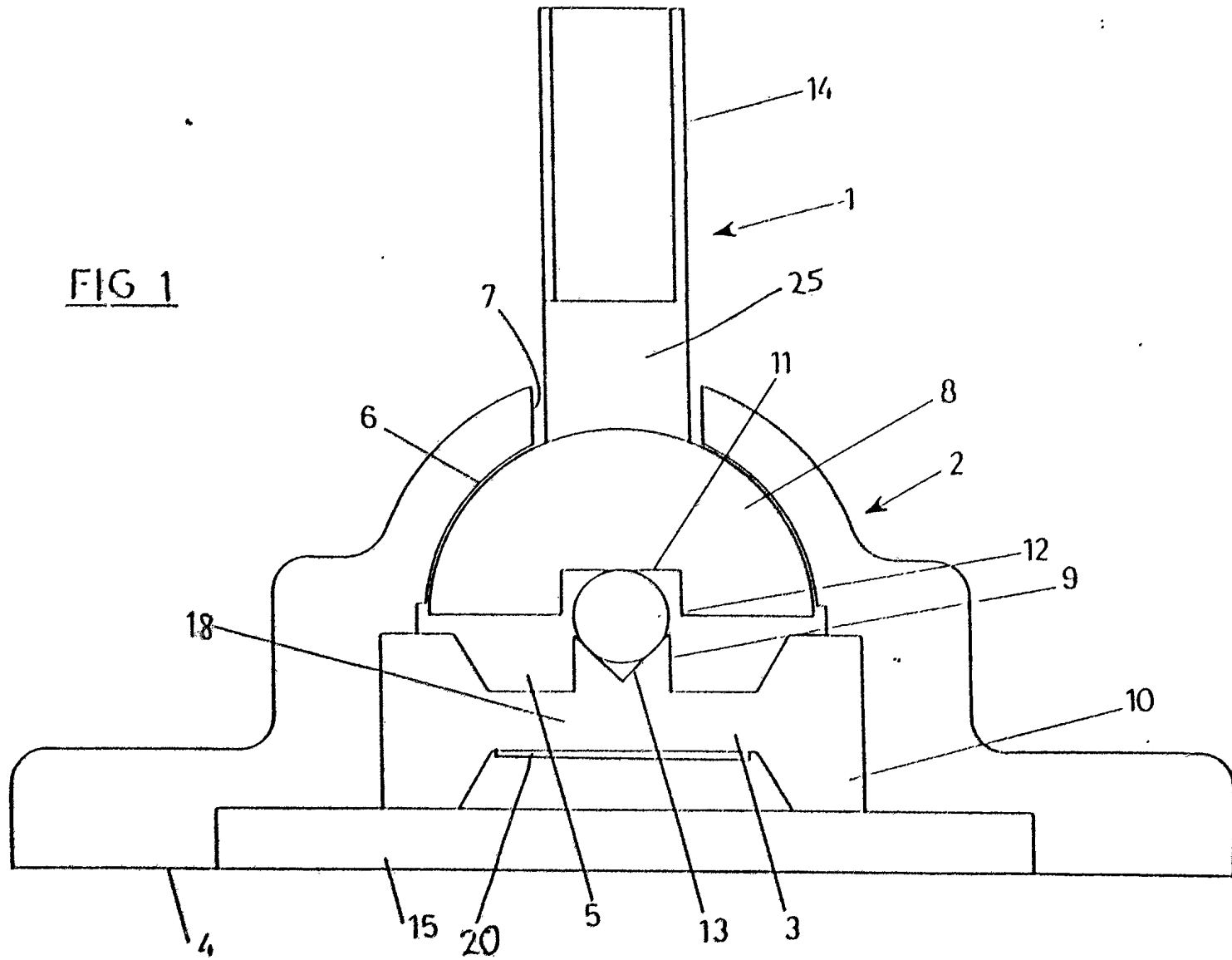
ABSTRACT

Load measuring apparatus particularly but not solely for the weighing of animals is supported on load-bearing feet. Each load bearing foot provides an electrical signal indicating the load thereon and the sum of the electrical signals indicates the total load. Each load bearing foot has a strut (1) which is in use attached to the load, housing (2) which rests on a load-bearing surface and a load cell (3) which is fixed within housing (2) and transmits the load force carried by strut (1) to housing (2) and thence to the load-bearing surface. The strut (1) passes through an aperture (7) in housing (2) to bear against load cell (3) which is in the central cavity (5) of the housing (2). The strut (1) is able to move towards load cell (3), but is substantially restricted from moving away from the load cell (3), and preferably is able to have some rotational movement relative to base (4).



1 3 9 5 1 3 5 7

FIG 1



114

13557/95

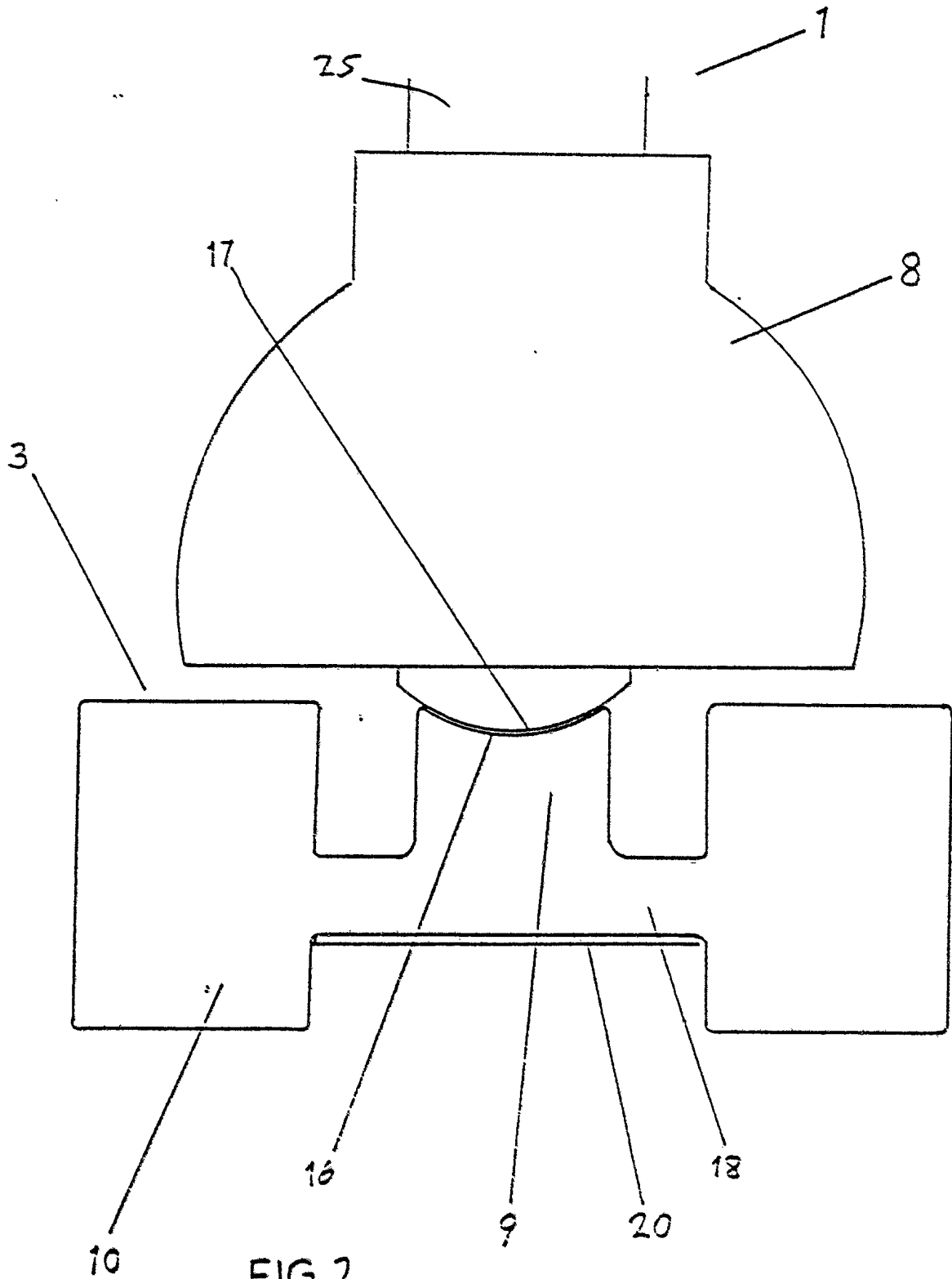


FIG 2

5
6
7
8

3/4

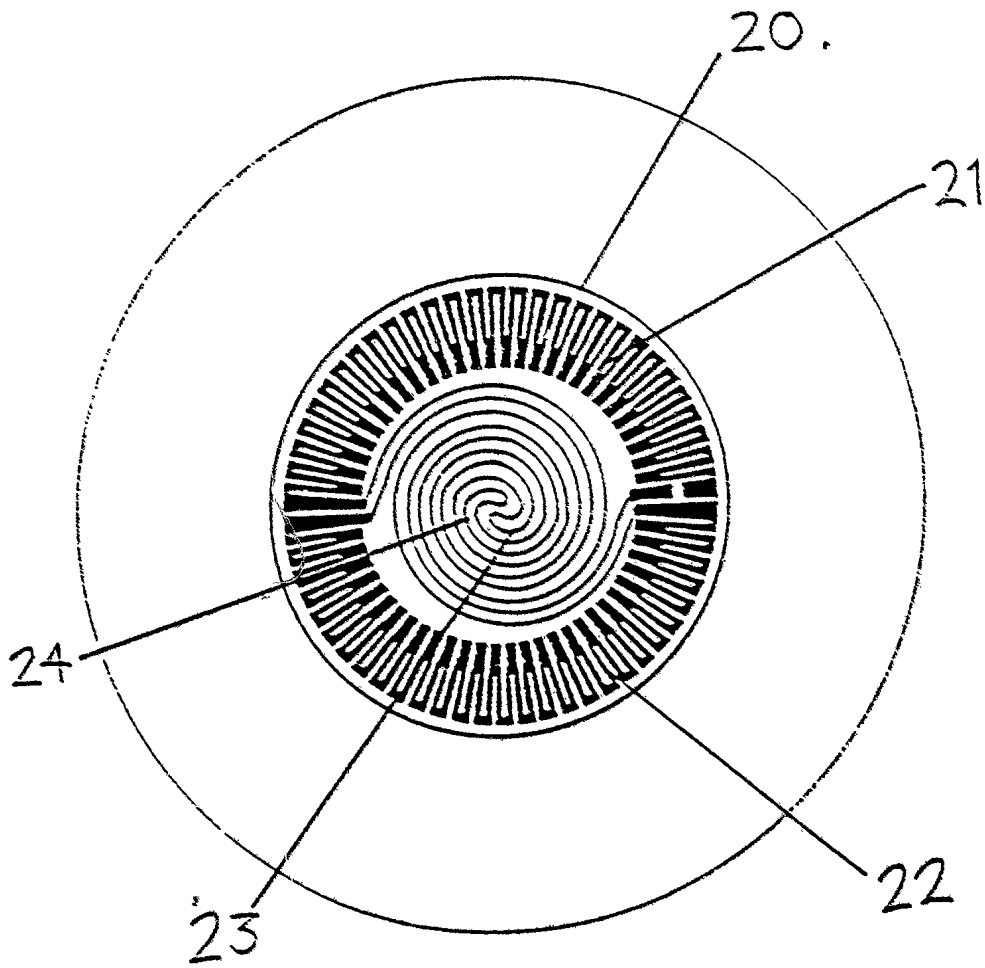


FIG 3

5
9
7
4

