



US00D914429S

(12) **United States Design Patent** (10) **Patent No.:** **US D914,429 S**  
**Bennion et al.** (45) **Date of Patent:** **\*\* Mar. 30, 2021**

(54) **COOKING APPARATUS**

OTHER PUBLICATIONS

(71) Applicant: **Weber-Stephen Products LLC**,  
Palatine, IL (US)  
(72) Inventors: **Derek Bennion**, Chicago, IL (US);  
**Qian Hamel**, Evanston, IL (US);  
**Carmen O. Lira-Nunez**, Downers  
Grove, IL (US)

Design No. 305340216, Sep. 10, 2019—China National Intellectual  
Property Administration (CNIPA) Publication Date—Sep. 10, 2019  
Owner—Dongguan Ningde Precision Technology Co Ltd, Designer—  
Cheng Xing WIPO, available at [https://www3.wipo.int/designdb/  
en/index.jsp](https://www3.wipo.int/designdb/en/index.jsp) (Year: 2019).\*

(Continued)

(73) Assignee: **WEBER-STEPHEN PRODUCTS  
LLC**, Palatine, IL (US)

*Primary Examiner* — Mary Ann Calabrese  
*Assistant Examiner* — Natalya M Rapundalo  
(74) *Attorney, Agent, or Firm* — Hanley, Flight &  
Zimmerman, LLC

(\*\*) Term: **15 Years**

(57) **CLAIM**

(21) Appl. No.: **29/694,207**

The ornamental design for a “cooking apparatus”, as shown  
and described.

(22) Filed: **Jun. 7, 2019**

(51) **LOC (13) Cl.** ..... **07-02**

**DESCRIPTION**

(52) **U.S. Cl.**

USPC ..... **D7/334**

(58) **Field of Classification Search**

USPC ..... D7/323, 332, 334, 337, 338, 339, 362,  
D7/387, 402, 406, 409; D6/601  
CPC .. A47J 36/00; A47J 37/00; A47J 37/04; A47J  
37/06; A47J 37/0664; A47J 37/07; A47J  
37/0704; A47J 37/0713; A47J 37/0709;  
A47J 37/0718; A47J 37/0727; A47J  
37/0731; A47J 37/0736; A47J 37/0768;  
A47J 37/0786; A47J 2037/0617; A47J

(Continued)

FIG. 1 is a front right perspective view of a cooking  
apparatus.

FIG. 2 is a front left perspective view of the cooking  
apparatus of FIG. 1.

FIG. 3 is a rear perspective view of the cooking apparatus of  
FIG. 1.

FIG. 4 is a front view of the cooking apparatus of FIG. 1.

FIG. 5 is a rear view of the cooking apparatus of FIG. 1.

FIG. 6 is a left side view of the cooking apparatus of FIG.  
1.

FIG. 7 is a right side view of the cooking apparatus of FIG.  
1.

FIG. 8 is a top view of the cooking apparatus of FIG. 1.

FIG. 9 is a bottom view of the cooking apparatus of FIG. 1;  
and,

FIG. 10 is an enlarged, rear perspective view of the cooking  
apparatus of FIG. 1.

The features shown in broken lines form no part of the  
claimed design.

The lighter solid lines denote surfaces and contours. Line  
shading is not surface ornamentation.

(56) **References Cited**

U.S. PATENT DOCUMENTS

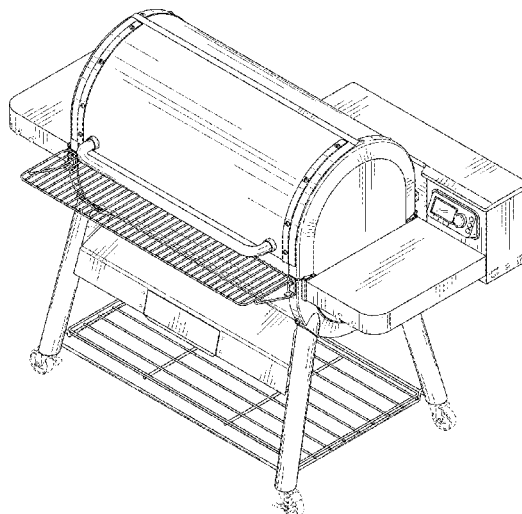
D179,345 S 12/1956 Henry et al.  
4,823,684 A 4/1989 Traeger et al.  
5,251,607 A 10/1993 Traeger et al.

(Continued)

FOREIGN PATENT DOCUMENTS

CN 209186432 \* 8/2019 ..... A47J 37/07

**1 Claim, 10 Drawing Sheets**



(58) **Field of Classification Search**  
 CPC .. 2037/0795; F24B 13/00; F24B 13/02; F24B 13/04  
 See application file for complete search history.

(56) **References Cited**

U.S. PATENT DOCUMENTS

5,429,110	A	7/1995	Burke et al.	
6,223,737	B1	5/2001	Buckner	
7,900,553	B1	3/2011	Maurin	
8,267,078	B2	9/2012	Kuntz	
D695,055	S	12/2013	Measom et al.	
8,833,360	B2	9/2014	Knight	
D733,483	S	7/2015	Baker et al.	
9,186,020	B1	11/2015	Phillips	
D760,539	S	7/2016	Colston	
9,585,518	B1	3/2017	Phillips	
9,635,978	B2	5/2017	Measom et al.	
9,814,354	B2	11/2017	McAdams et al.	
9,913,559	B2	3/2018	Polter et al.	
9,930,991	B2	4/2018	Traeger	
D817,091	S	5/2018	Colston	
D825,990	S	8/2018	Colston et al.	
D827,368	S	9/2018	Colston	
D827,370	S	9/2018	Colston	
D827,371	S	9/2018	Colston et al.	
D829,499	S	10/2018	Colston	
10,105,007	B2	10/2018	Colston et al.	
D839,047	S *	1/2019	Colston .....	A47J 37/0704 D7/402
10,213,051	B2	2/2019	Colston et al.	
10,330,322	B2	6/2019	Measom et al.	
2005/0217659	A1	10/2005	McClenahan	
2013/0174834	A1	7/2013	Measom et al.	
2013/0298894	A1	11/2013	Kleinsasser	
2014/0326232	A1	11/2014	Traeger	
2014/0326233	A1	11/2014	Traeger	
2016/0327263	A1	11/2016	Traeger	
2017/0065124	A1	3/2017	Colston	
2017/0164783	A1	6/2017	Sauerwein et al.	
2017/0176018	A1	6/2017	Traeger	
2018/0070772	A1	3/2018	McAdams et al.	
2018/0168395	A1	6/2018	Colston	
2018/0168397	A1	6/2018	Colston	
2019/0133374	A1	5/2019	McAdams et al.	
2019/0150663	A1	5/2019	Colston et al.	
2020/0040926	A1 *	2/2020	Colston .....	F16B 12/52
2020/0214501	A1 *	7/2020	Gafford .....	A47J 37/0704
2020/0240643	A1 *	7/2020	Donnelly .....	H04L 67/125
2020/0281402	A1 *	9/2020	Witzel .....	F23B 40/02
2020/0305642	A1 *	10/2020	Hancock .....	F24C 15/001

OTHER PUBLICATIONS

Weber SmokeFire Pellet Grill Review, first available Nov. 27, 2019, YouTube, [online], [site visited Dec. 17, 2020], Available from internet URL: <https://www.youtube.com/watch?v=iRSdgBebvLY&feature=youtu.be> (Year: 2019).\*

Design No. 007342720-0001-0010, Dec. 5, 2019—European Union Intellectual Property Office (EUIPO) Publication Date—Mar. 4, 2020 Owner—Weber-Stephen Products LLC, Designer—Derek Bennion et. al. DesignView, available at [www.tmdn.org/tmdsview-web/welcome](http://www.tmdn.org/tmdsview-web/welcome) (Year: 2020).\*

Design No. 305771754, May 12, 2020—China National Intellectual Property Administration (CNIPA) Publication Date—May 12, 2020 Owner—Weber-Stephen Products Co, Designer—Hirth Andreas et. al. WIPO, available at <https://www3.wipo.int/designdb/en/index.jsp> (Year: 2020).\*

Design No. 305816794, Jun. 2, 2020—China National Intellectual Property Administration (CNIPA) Publication Date—Jun. 2, 2020 Owner—Weber-Stephen Products Co, Designer—D. Bennian et. al. WIPO, available at <https://www3.wipo.int/designdb/en/index.jsp> (Year: 2020).\*

Design No. 007974985-0013, May 29, 2020—European Union Intellectual Property Office (EUIPO) Publication Date—Jun. 30, 2020 Owner—Canbolat Holding GmbH DesignView, available at [www.tmdn.org/tmdsview-web/welcome](http://www.tmdn.org/tmdsview-web/welcome) (Year: 2020).\*

Design No. 008018832-0001, Jun. 23, 2020—European Union Intellectual Property Office (EUIPO) Publication Date—Aug. 12, 2020 Owner—Weber-Stephen Products LLC, Designer—Derek Bennion et. al. DesignView, available at [www.tmdn.org/tmdsview-web/welcome](http://www.tmdn.org/tmdsview-web/welcome) (Year: 2020).\*

Broil King Pellet 500 Pro, Lowes, [online], [site visited Dec. 21, 2020], Available from internet URL: <https://www.lowes.com/pd/Broil-King-Pellet-500-Pro-630-sq-in-Black-Pellet-Grill/1000894100> (Year: 2020).\*

SmokeFire EX4 (2nd Gen) Wood Fired Pellet Grill, [online], [site visited Dec. 17, 2020], Available from internet URL: <https://www.weber.com/US/en/grills/wood-pellet-grills/smokefire-series/22510201.html> (Year: 2020).\*

SmokeFire EX6 (2nd Gen) Wood Fired Pellet Grill, [online], [site visited Dec. 17, 2020], Available from internet URL: <https://www.weber.com/US/en/grills/wood-pellet-grills/smokefire-series/23510201.html> (Year: 2020).\*

Traeger Timberline 1300 Pellet Grill, [online], [site visited Dec. 21, 2020], Available from internet URL: <https://www.traegergrills.com/pellet-grills/timberline/1300> (Year: 2020).\*

Traeger Ironwood 650 Pellet Grill, [online], [site visited Dec. 21, 2020], Available from internet URL: <https://www.traegergrills.com/pellet-grills/ironwood/650> (Year: 2020).\*

China National Intellectual Property Administration, “Notice of Decision of Grant of Patent Right for Design,” issued in connection with Chinese Patent Application No. 201930653629.X, dated Apr. 9, 2020, 4 pages.

IP Australia, “Certificate of examination,” issued in connection with Australian Design Application No. 201916738, dated May 8, 2020, 2 pages.

IP Australia, “Certificate of examination,” issued in connection with Australian Design Application No. 201916740, dated May 8, 2020, 2 pages.

IP Australia, “Certificate of examination,” issued in connection with Australian Design Application No. 201916742, dated May 8, 2020, 2 pages.

IP Australia, “Certificate of examination,” issued in connection with Australian Design Application No. 201916743, dated May 8, 2020, 2 pages.

IP Australia, “Certificate of examination,” issued in connection with Australian Design Application No. 201916744, dated May 8, 2020, 2 pages.

IP Australia, “Certificate of examination,” issued in connection with Australian Design Application No. 201916745, dated May 11, 2020, 2 pages.

IP Australia, “Certificate of examination,” issued in connection with Australian Design Application No. 201916746, dated May 11, 2020, 2 pages.

IP Australia, “Certificate of examination,” issued in connection with Australian Design Application No. 201916751, dated May 11, 2020, 2 pages.

IP Australia, “Certificate of examination,” issued in connection with Australian Design Application No. 201916752, dated May 11, 2020, 2 pages.

IP Australia, “Certificate of examination,” issued in connection with Australian Design Application No. 201916753, dated May 11, 2020, 2 pages.

\* cited by examiner

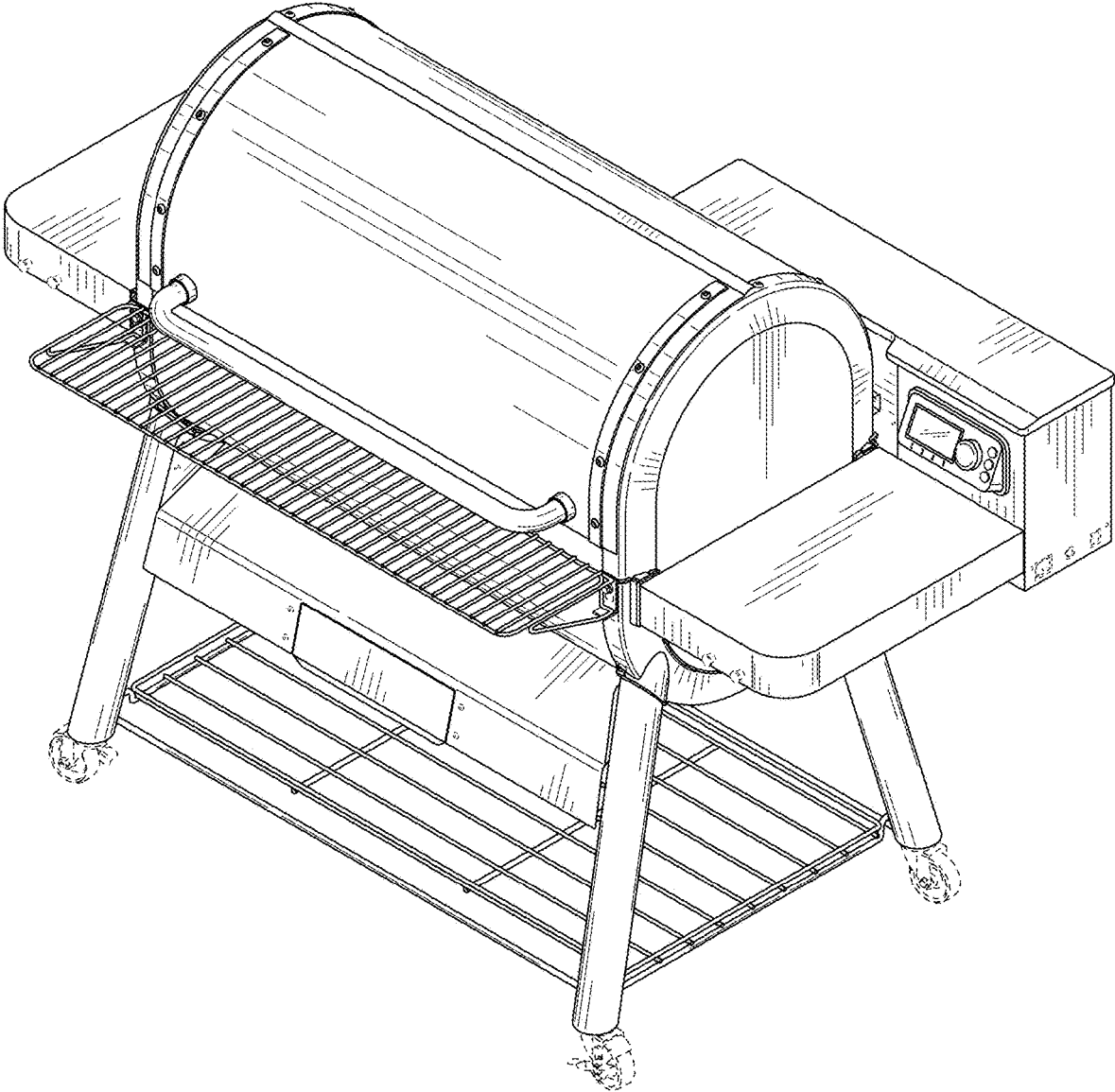


FIG. 1

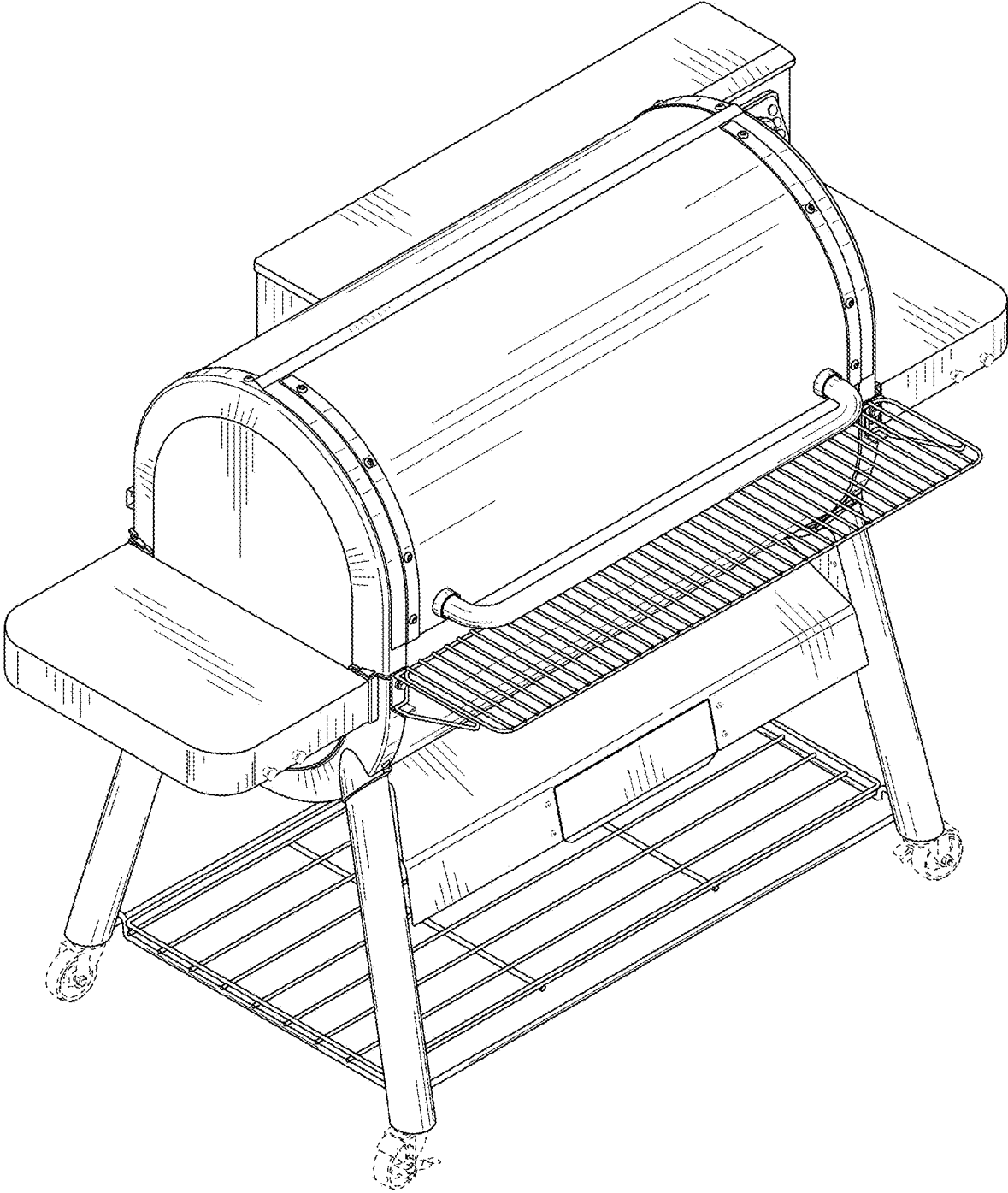


FIG. 2

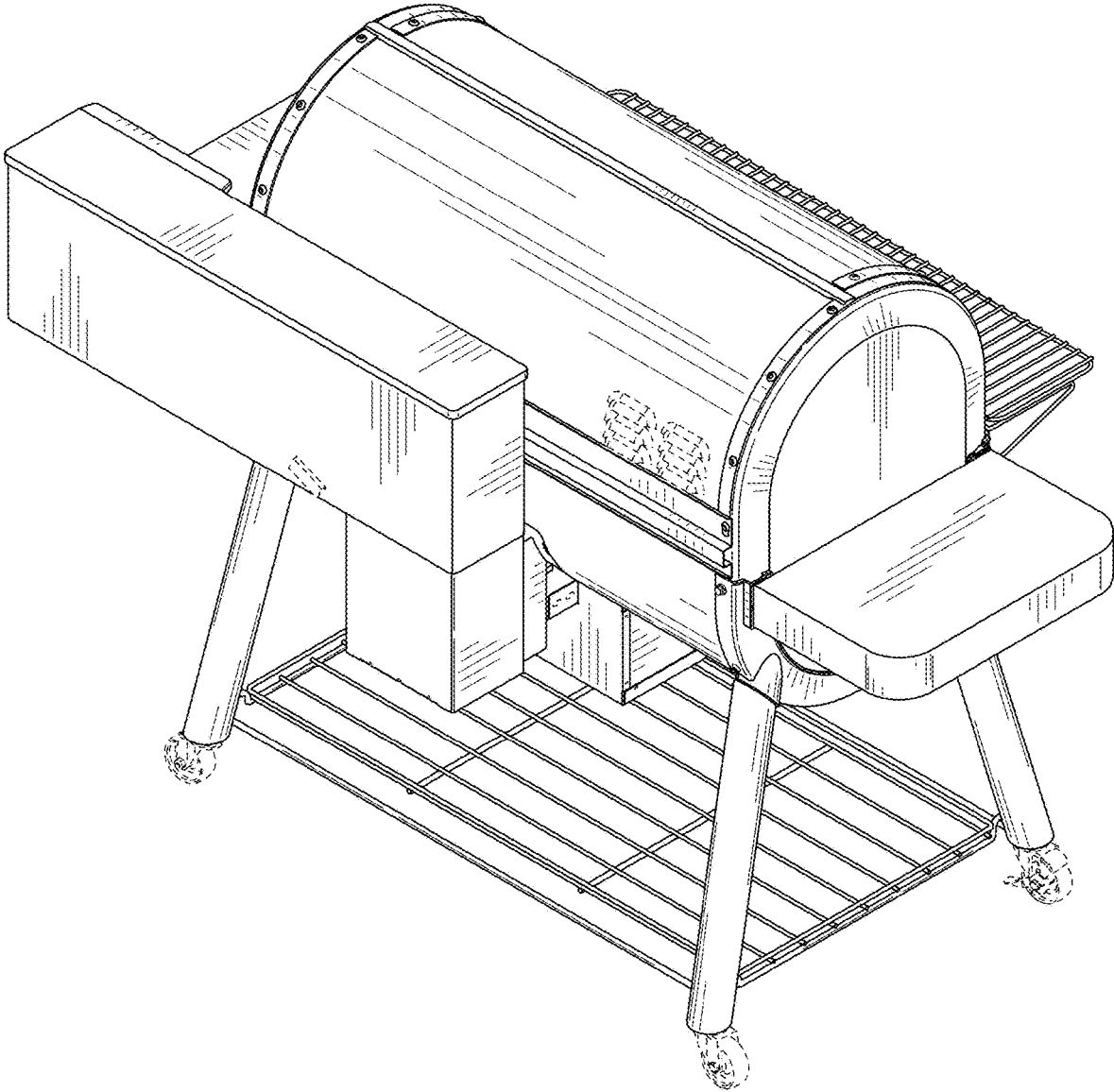


FIG. 3

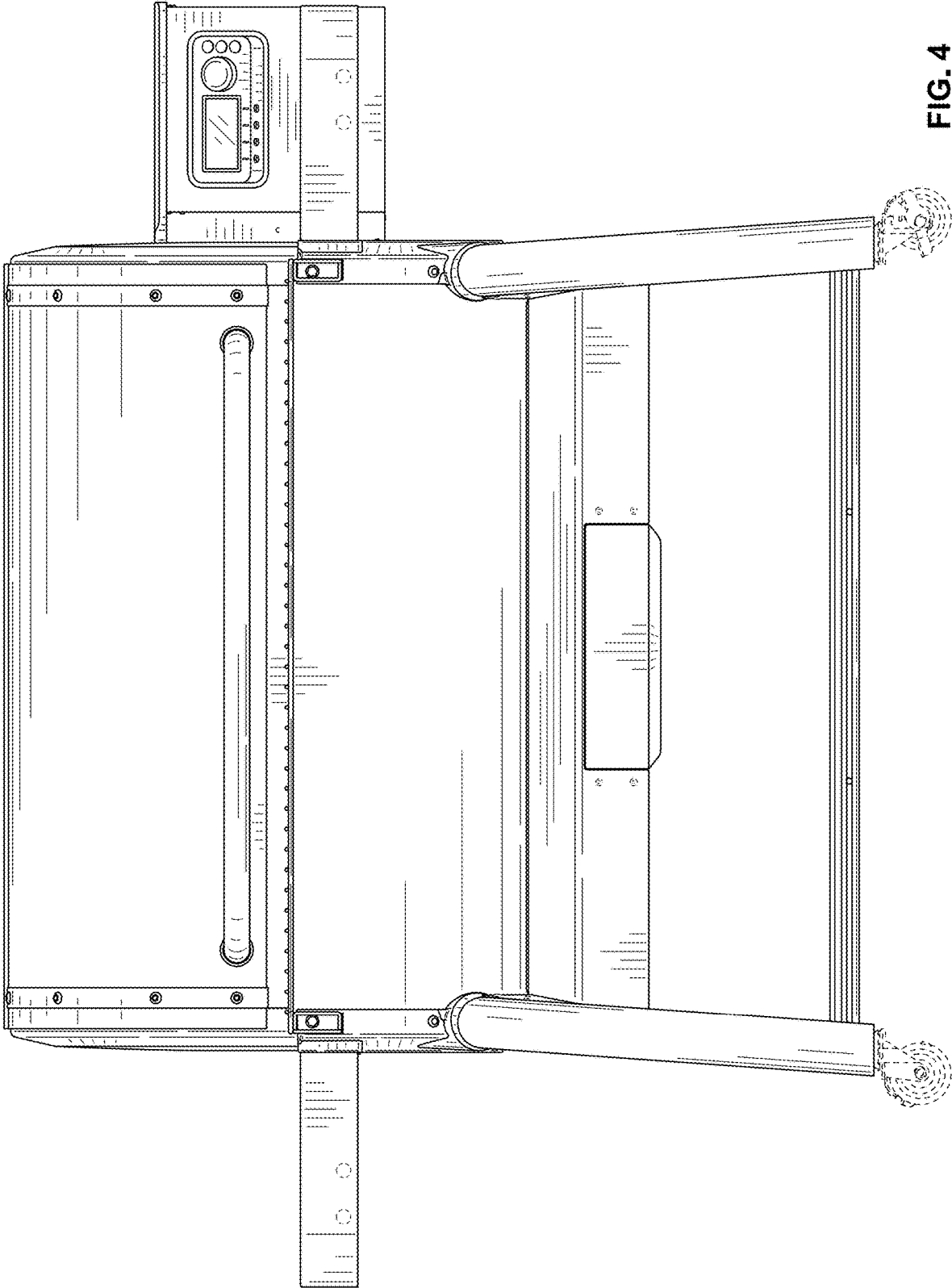


FIG. 4

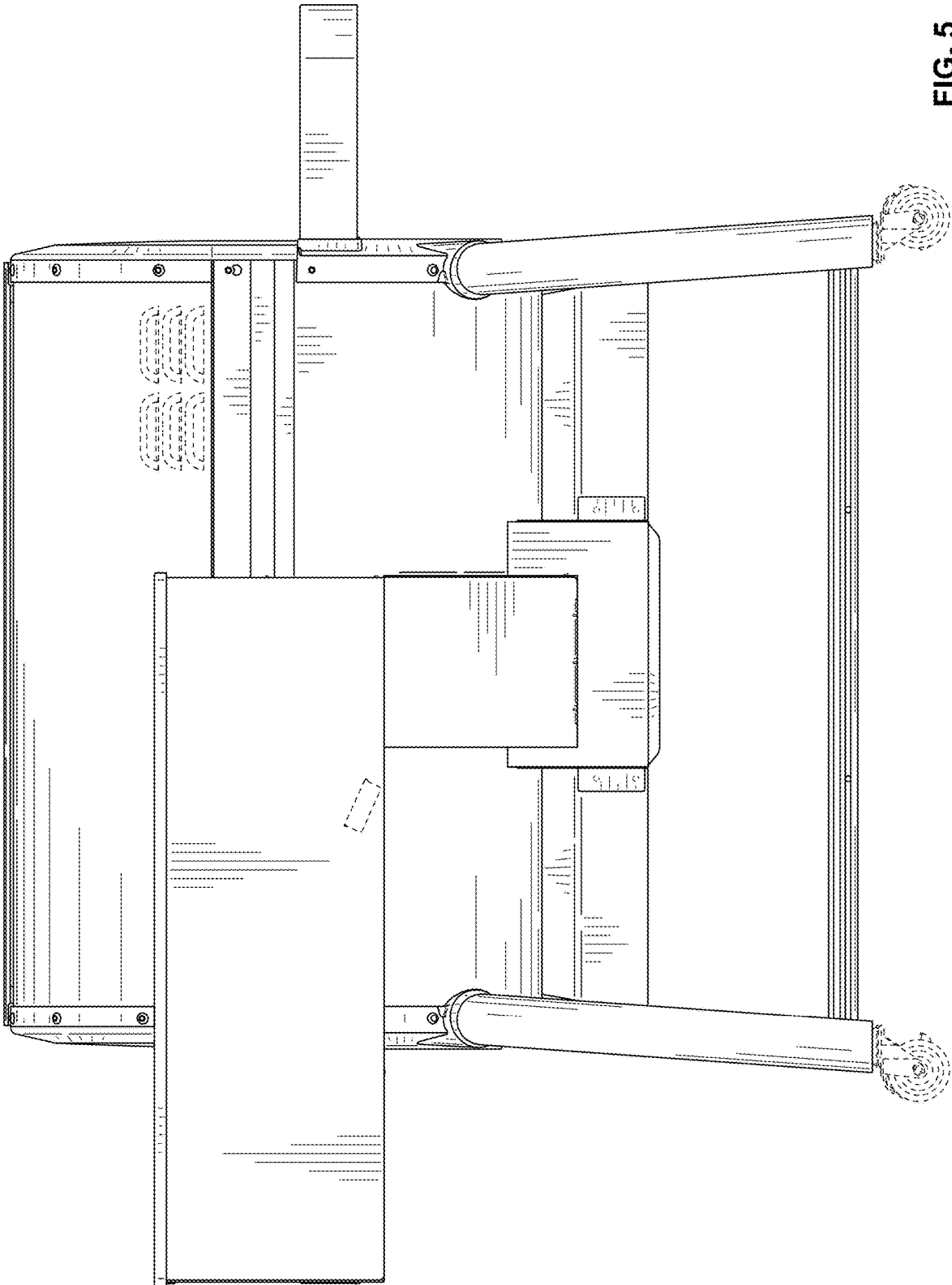


FIG. 5

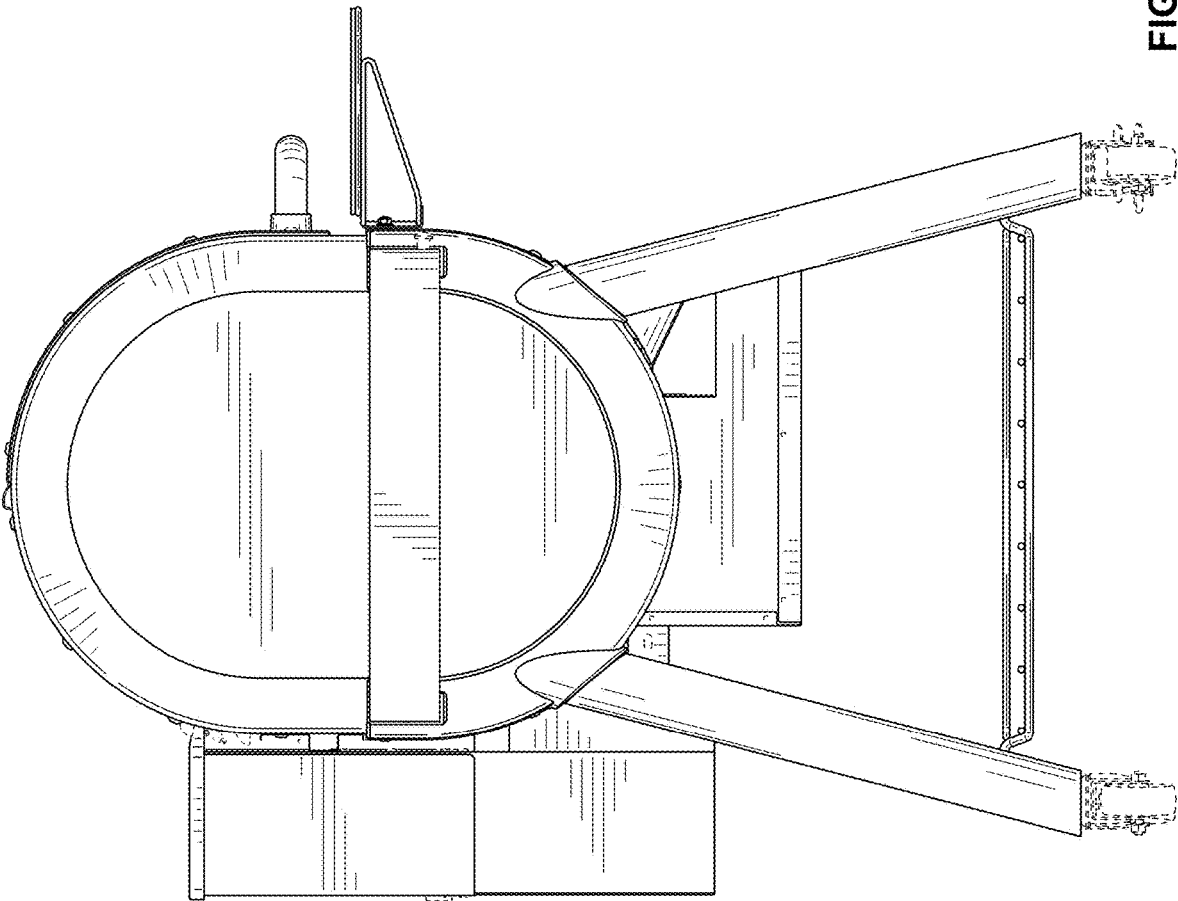


FIG. 6



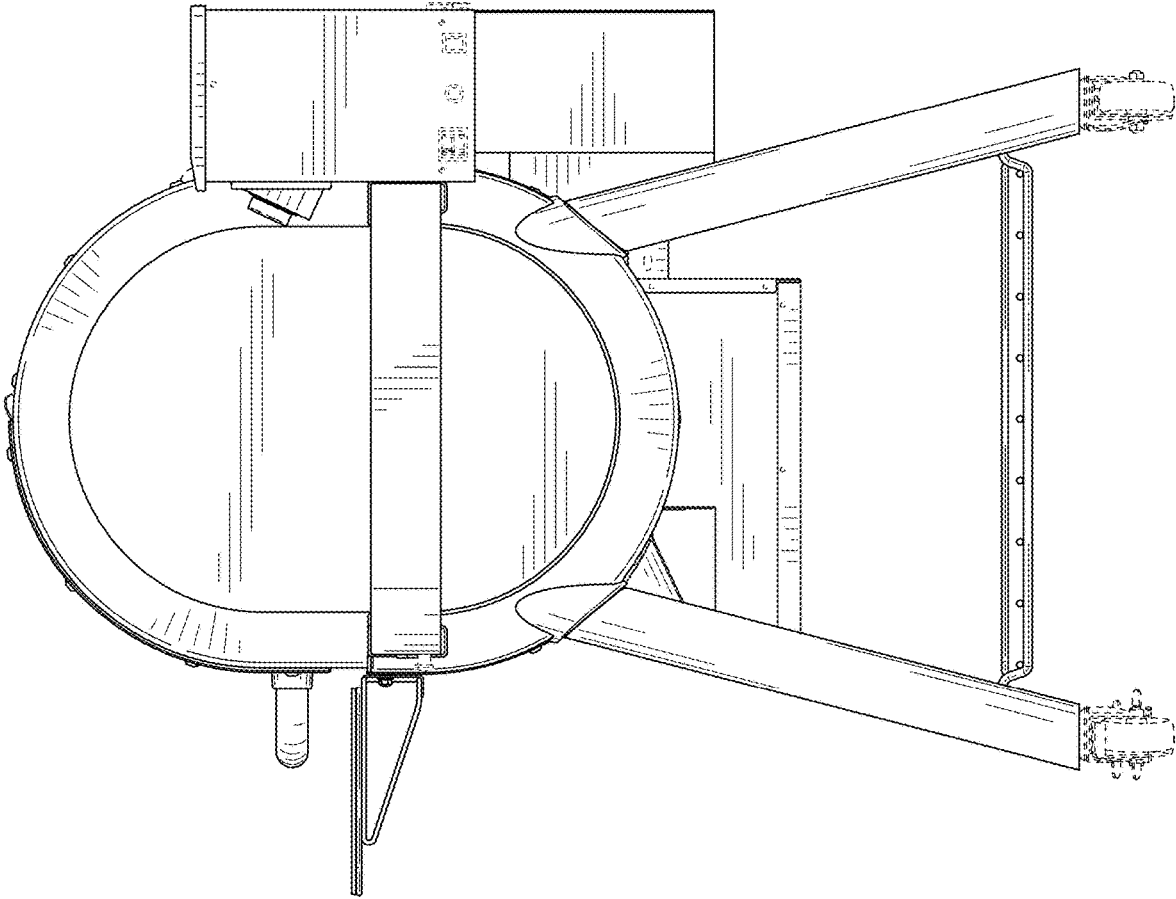


FIG. 7

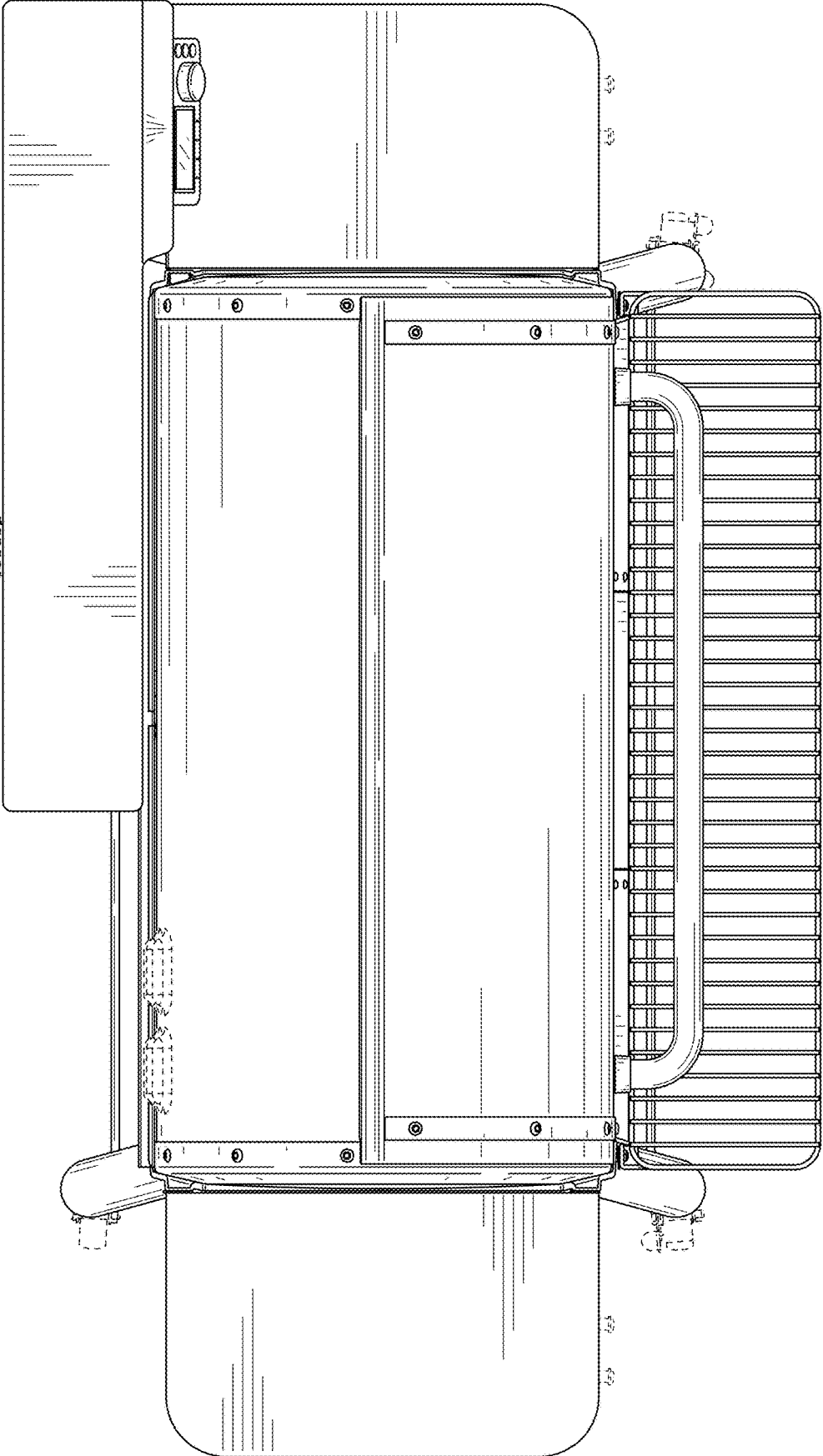


FIG. 8

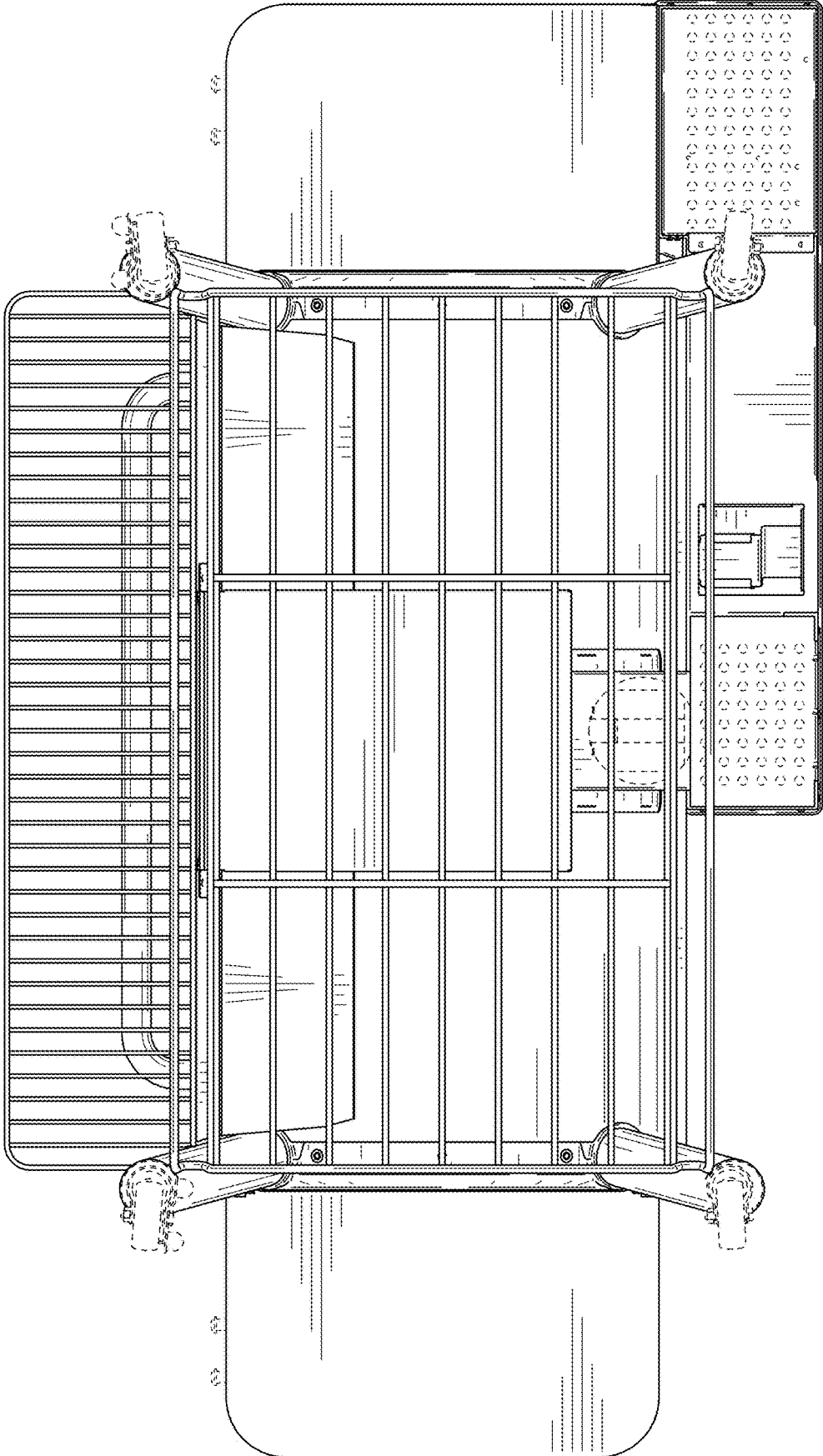


FIG. 9

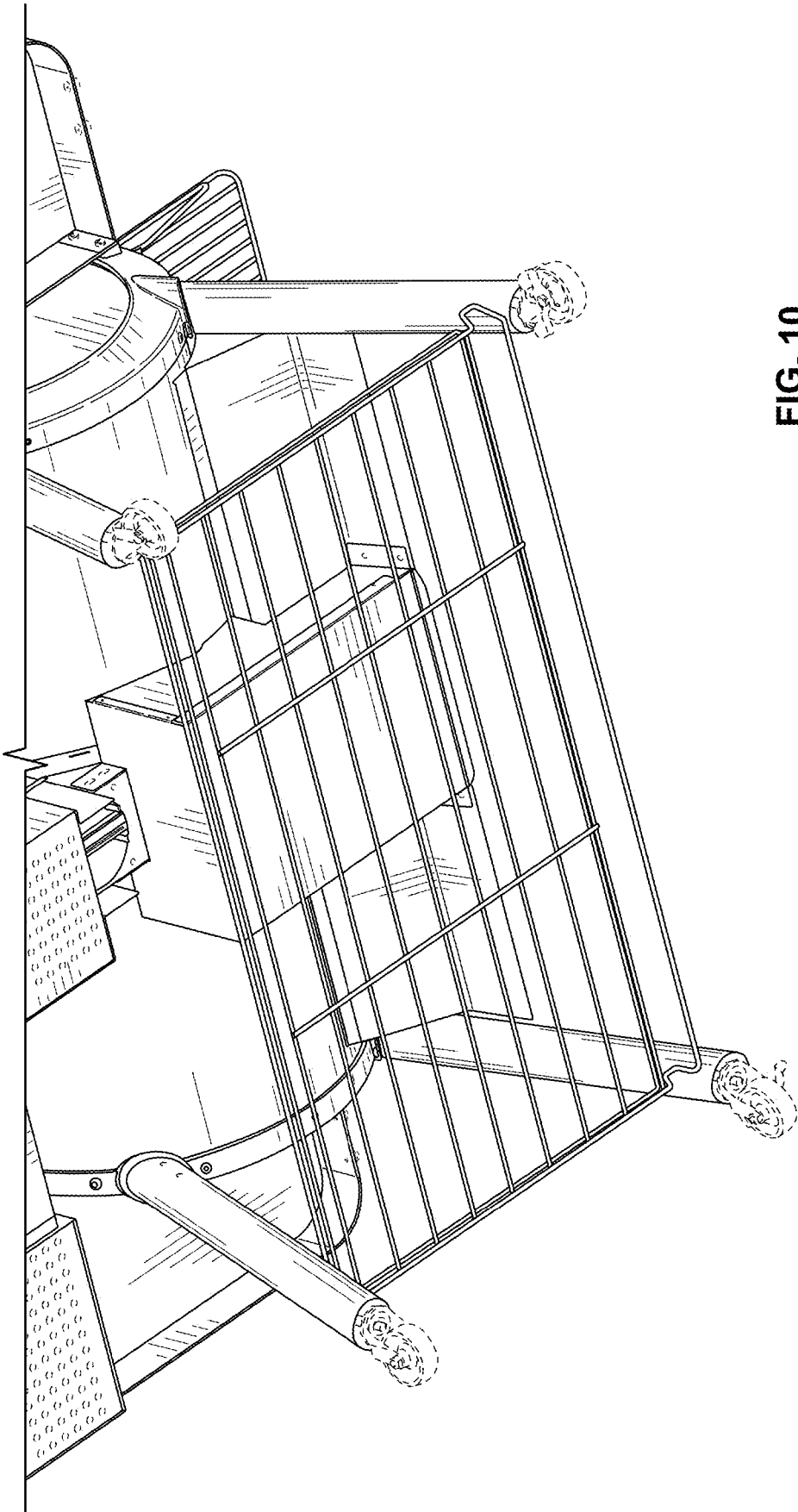


FIG. 10