

Sept. 9, 1930.

C. T. PFLUEGER

Des. 81,995

FISHING REEL

Filed Oct. 27, 1928

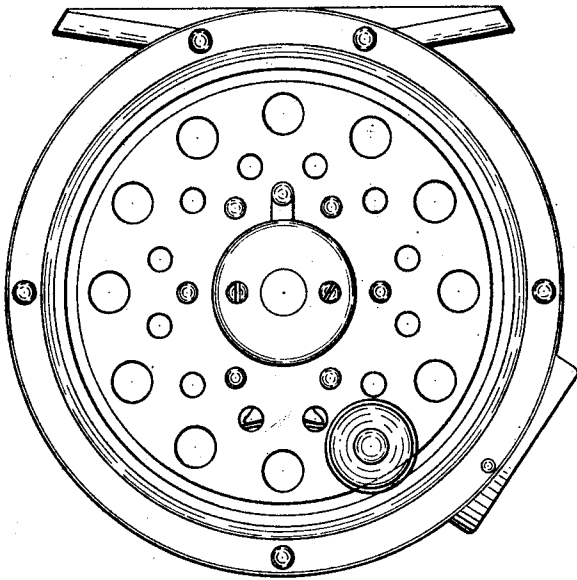


Fig.-1.

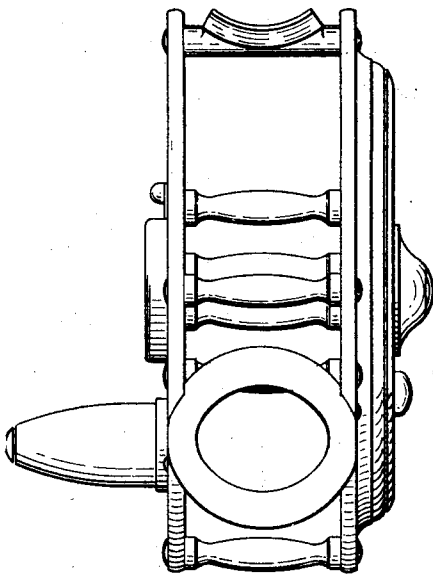


Fig.-3

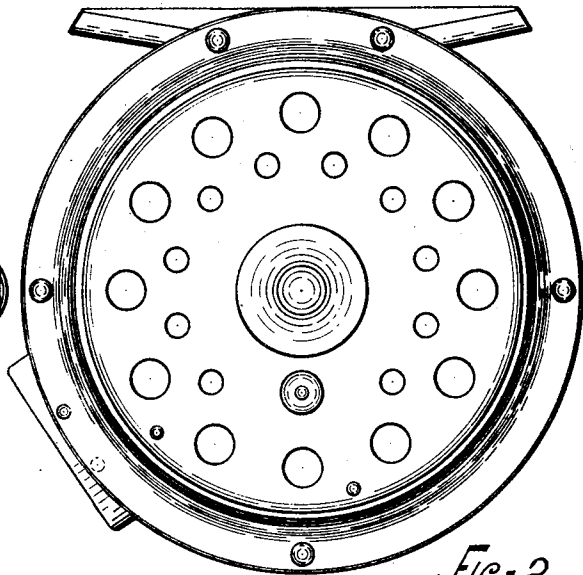


Fig.-2

INVENTOR.
CHARLES T. PFLUEGER.

BY

Cly & Barrow

ATTORNEY.

UNITED STATES PATENT OFFICE

CHARLES T. PFLUEGER, OF AKRON, OHIO., ASSIGNOR TO THE ENTERPRISE MANUFACTURING COMPANY, OF AKRON, OHIO, A CORPORATION OF OHIO

DESIGN FOR A FISHING REEL

Application filed October 27, 1928. Serial No. 28,670. Term of patent 14 years.

To all whom it may concern:

Be it known that I, CHARLES T. PFLUEGER, a citizen of the United States, residing at Akron, in the county of Summit and State of Ohio, have invented a new, original, and ornamental Design for a Fishing Reel, of which the following is a specification, reference being had to the accompanying drawings, forming a part thereof.

In the drawings:

Figure 1 is a side elevation, looking at the front of the reel showing my new design;

Figure 2 is a side elevation, looking at the rear of the reel; and

Figure 3 is an end view of the reel.

I claim:

The ornamental design for a fishing reel, as shown.

CHARLES T. PFLUEGER.